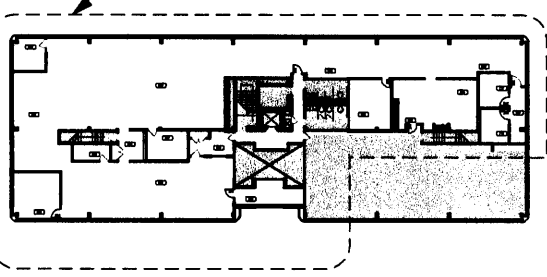
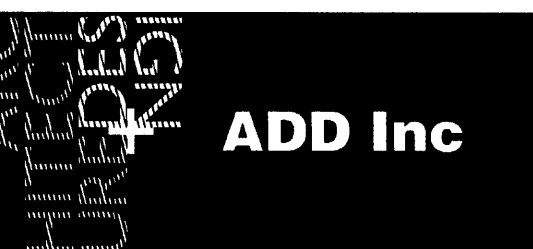
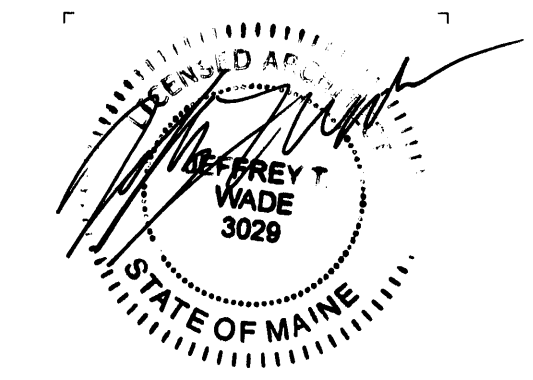




PROJECT SCOPE



PROJECT NORTH



311 SUMMER STREET BOSTON, MA 02210 617.234.3100

ISSUANCES

No.	Description	Date
1	ISSUED FOR PERMIT	12/23/08

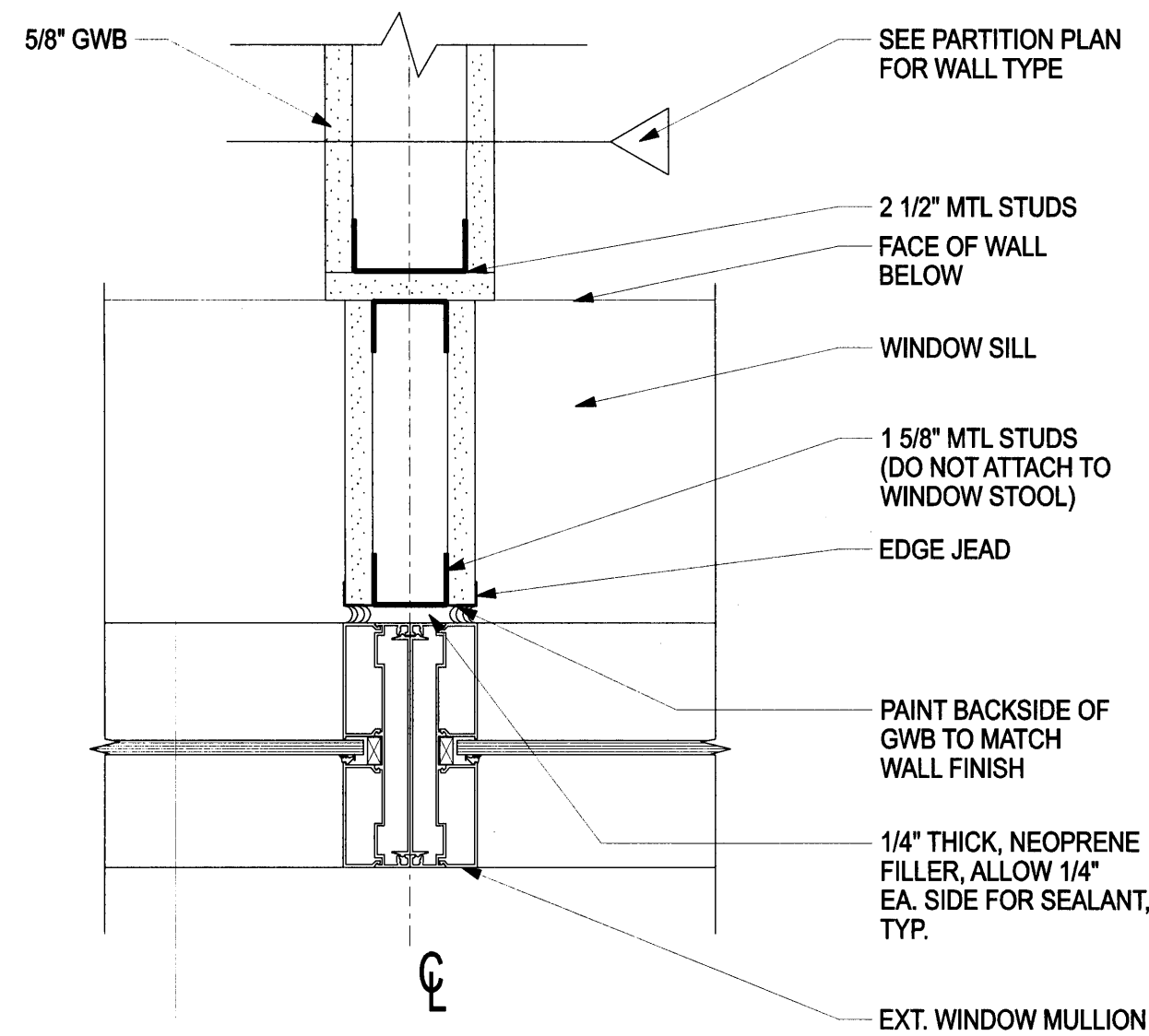
Checked by: JE

Door, Frame, Glazing & Interior Details

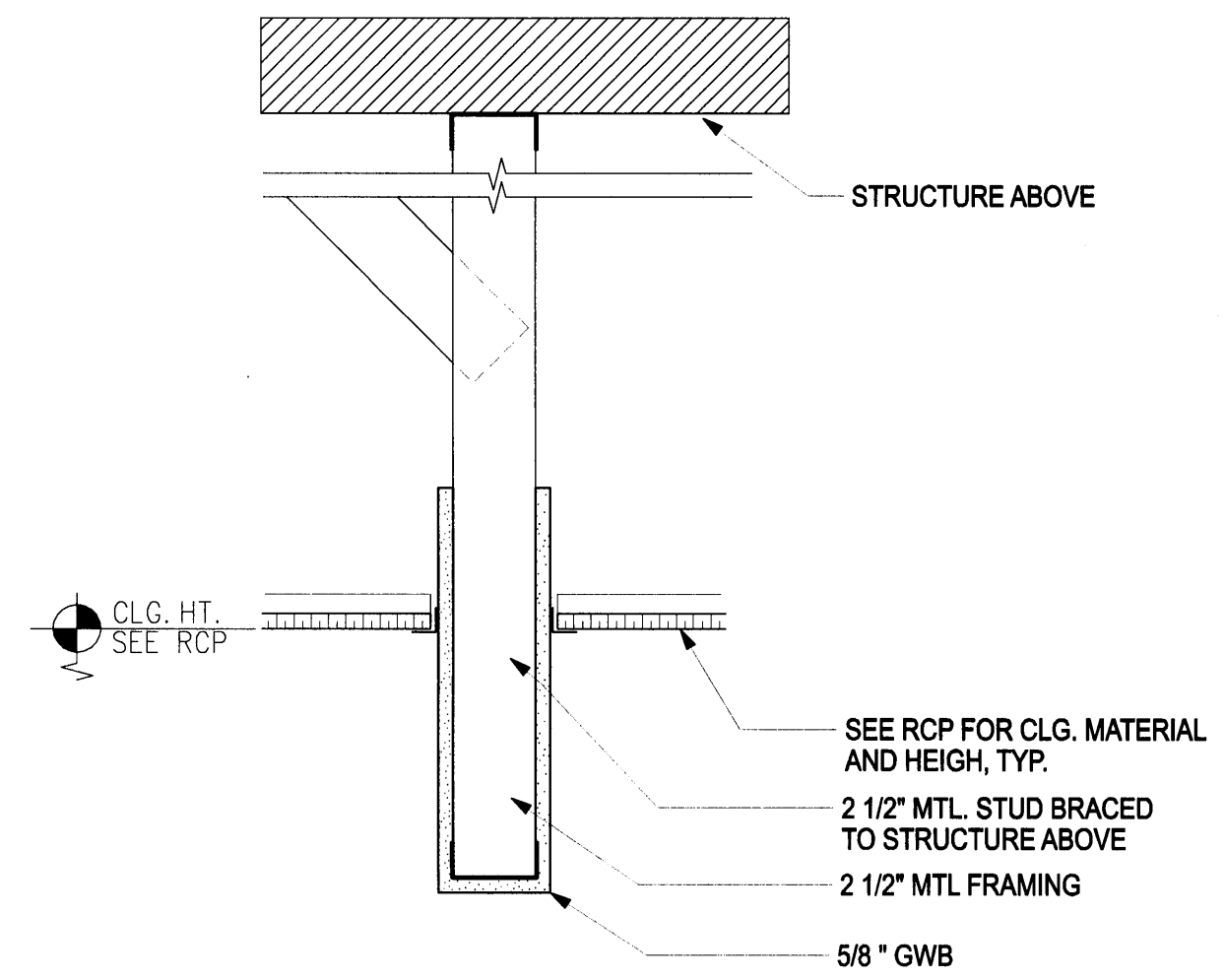
Drawing Scale: as noted

Job No. 08121.00

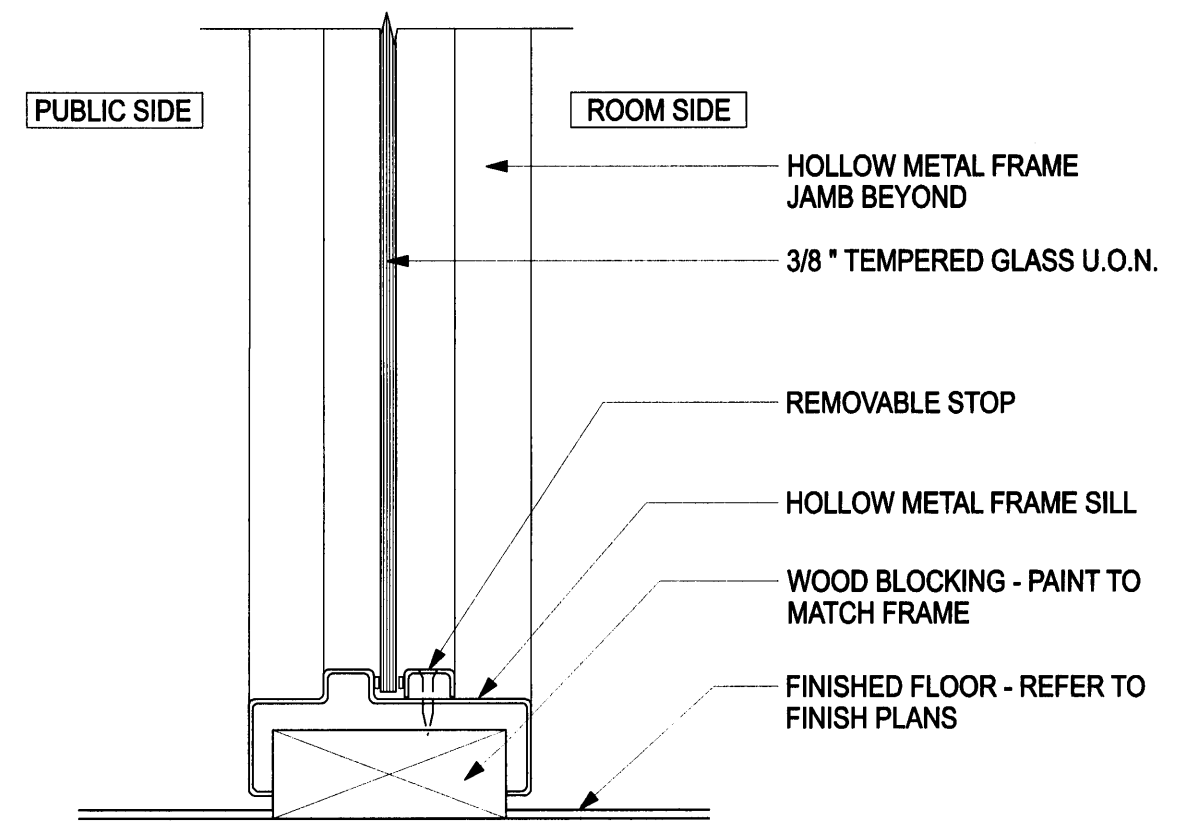
IA-002



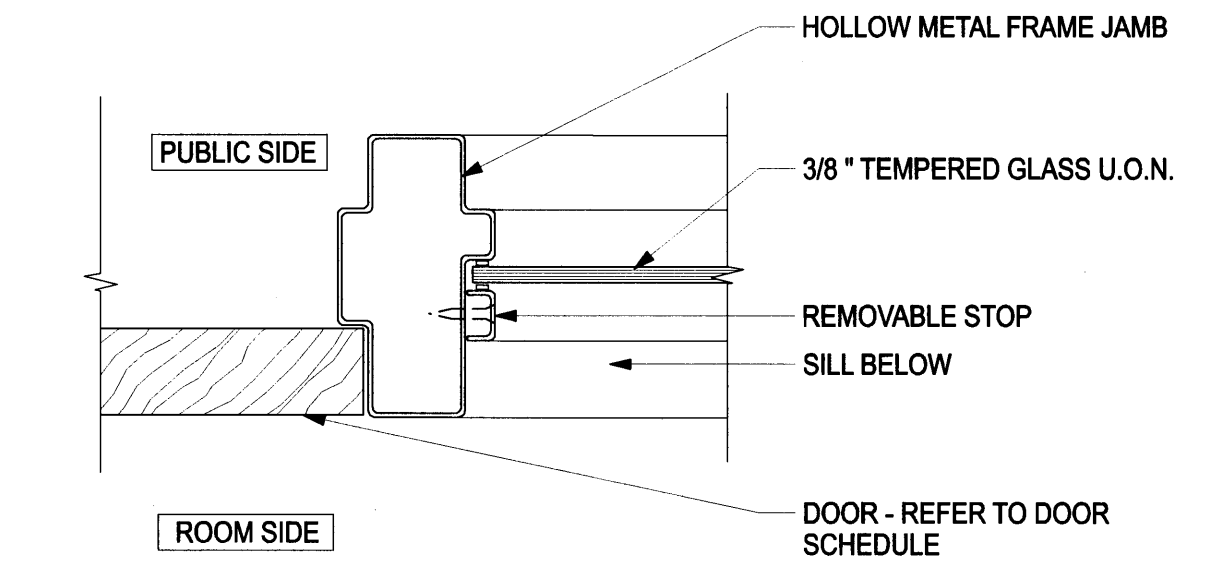
12 PARTITION DETAIL @ WINDOW MULLION
SCALE: 3"=1'-0"



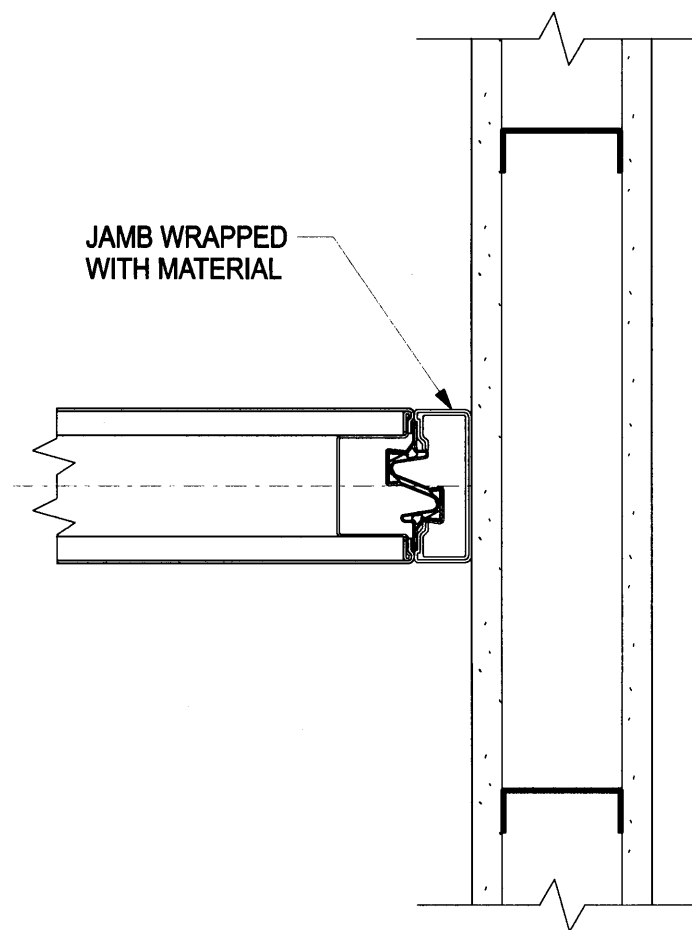
9 SINGLE STUD SOFFIT
1 1/2" = 1'-0"



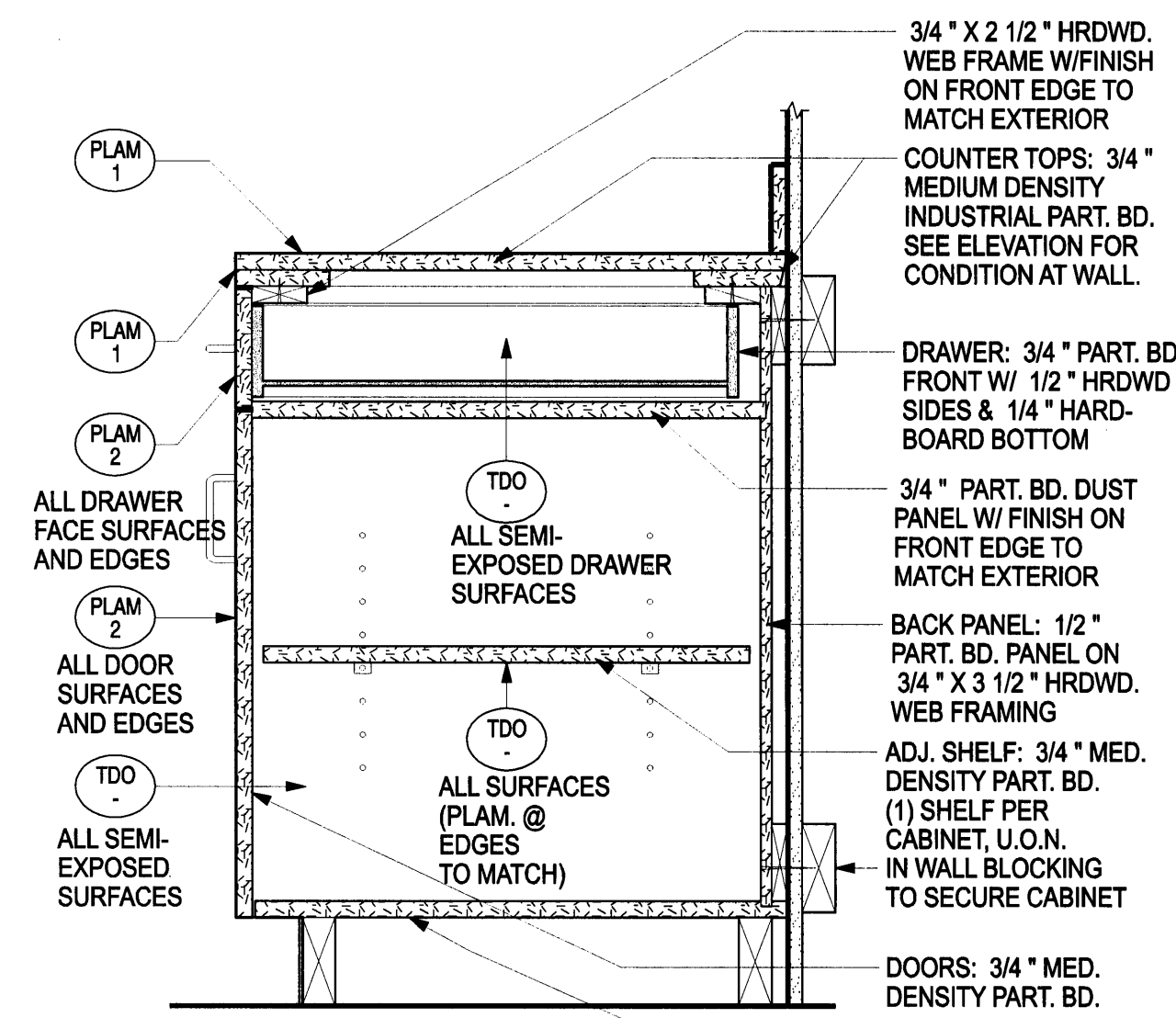
6 HOLLOW METAL FRAME - GLAZING SILL
SCALE: 3"=1'-0"



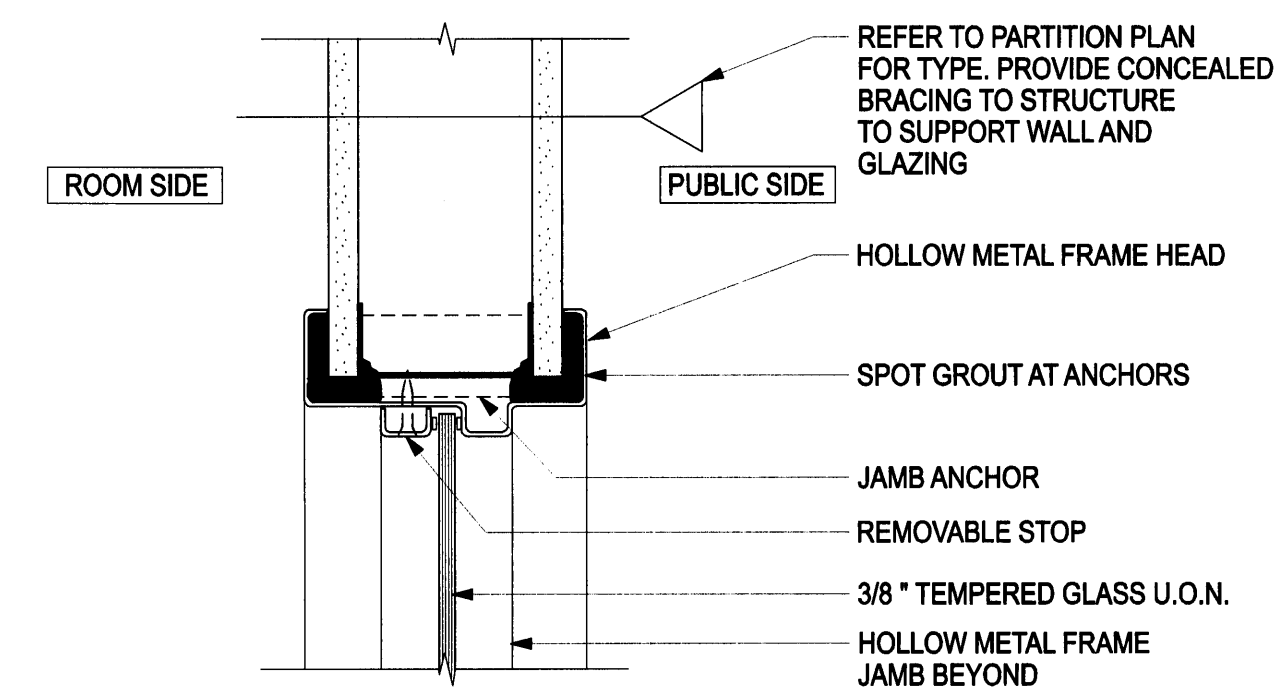
3 HOLLOW METAL FRAME - GLAZING JAMB @ DOOR
SCALE: 3"=1'-0"



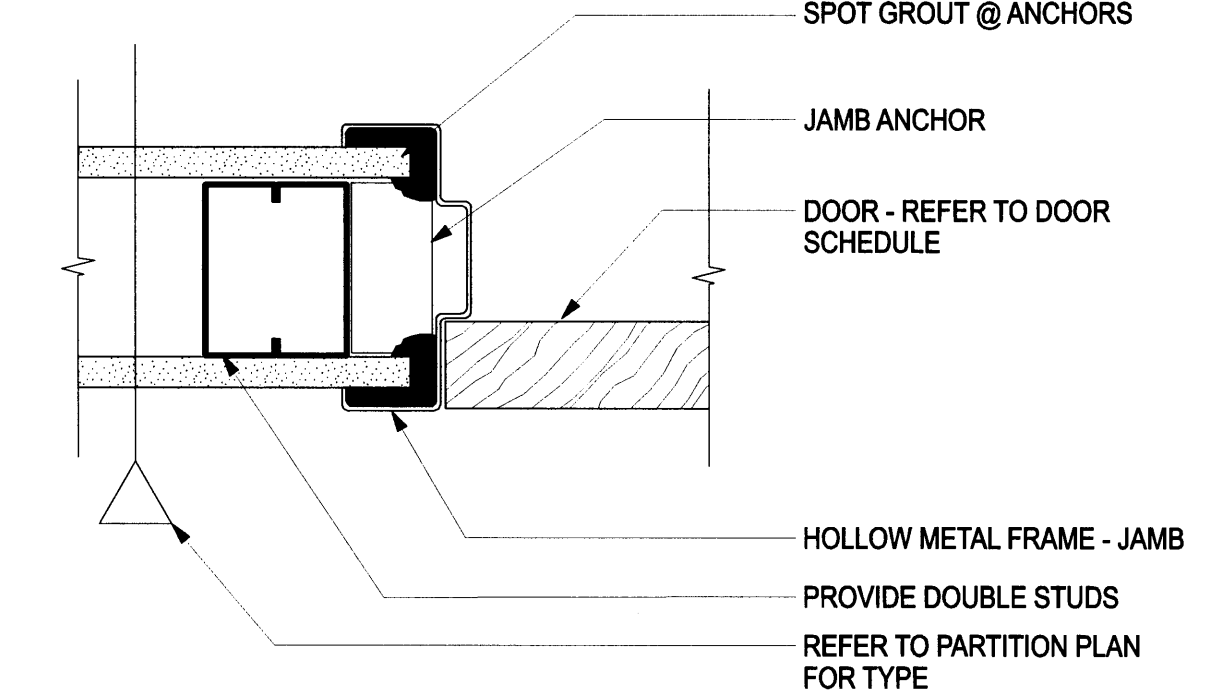
11 JAMB DETAIL @ MODERNFOLD
SCALE: 3"=1'-0"



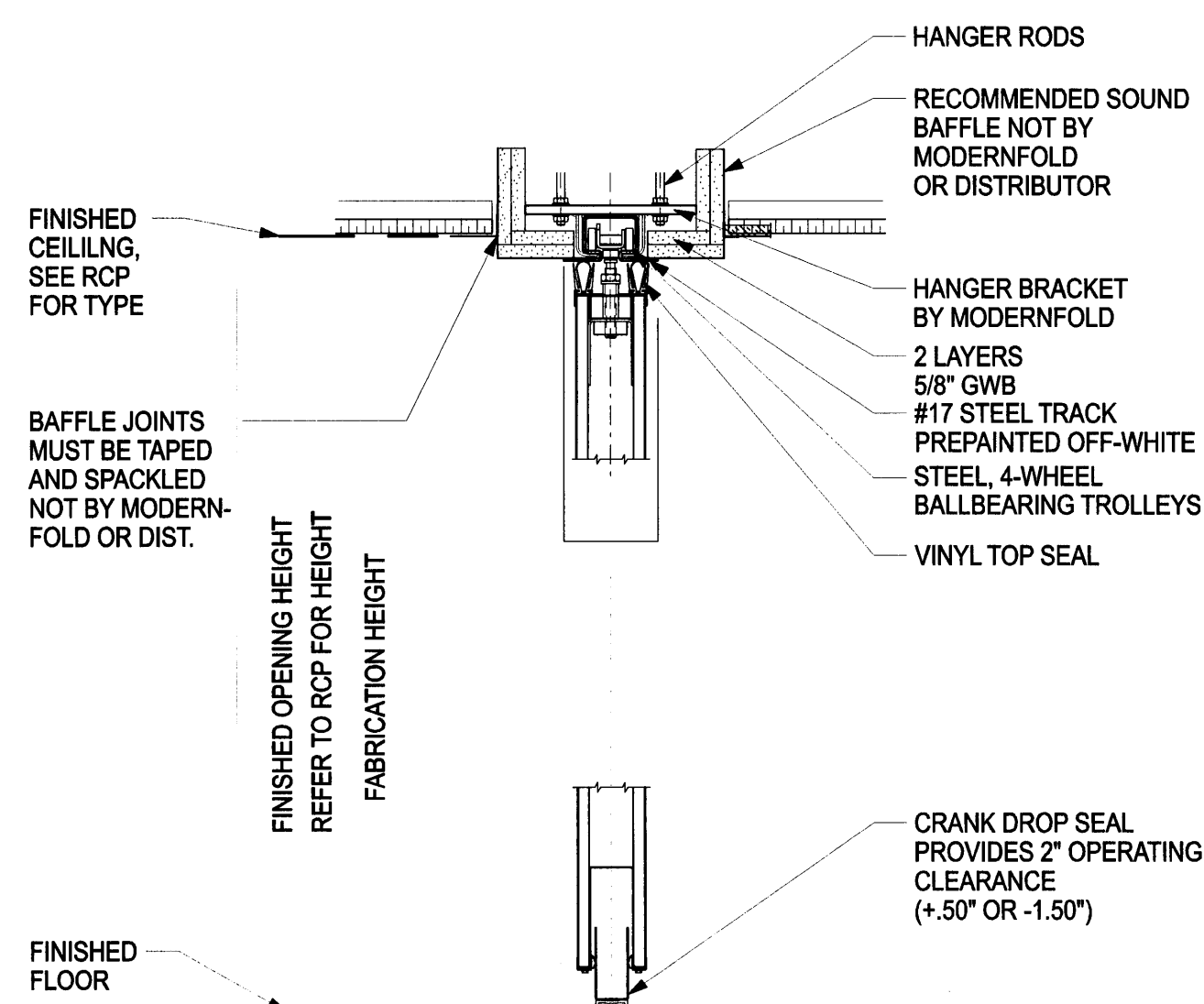
8 BASE CABINET WITH (1) DOOR & (1) DRAWER
1 1/2" = 1'-0"



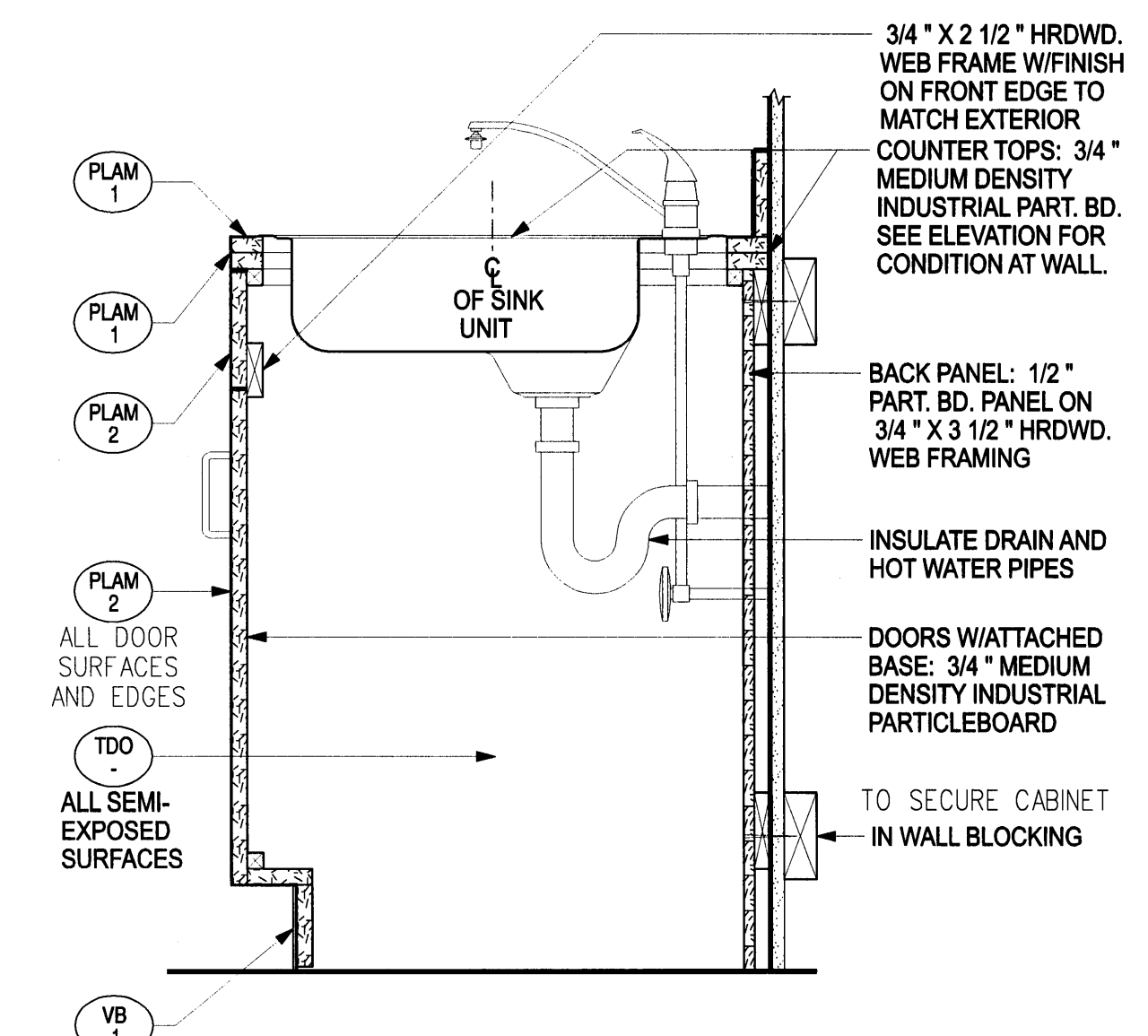
5 HOLLOW METAL FRAME - GLAZING HEAD
SCALE: 3"=1'-0"



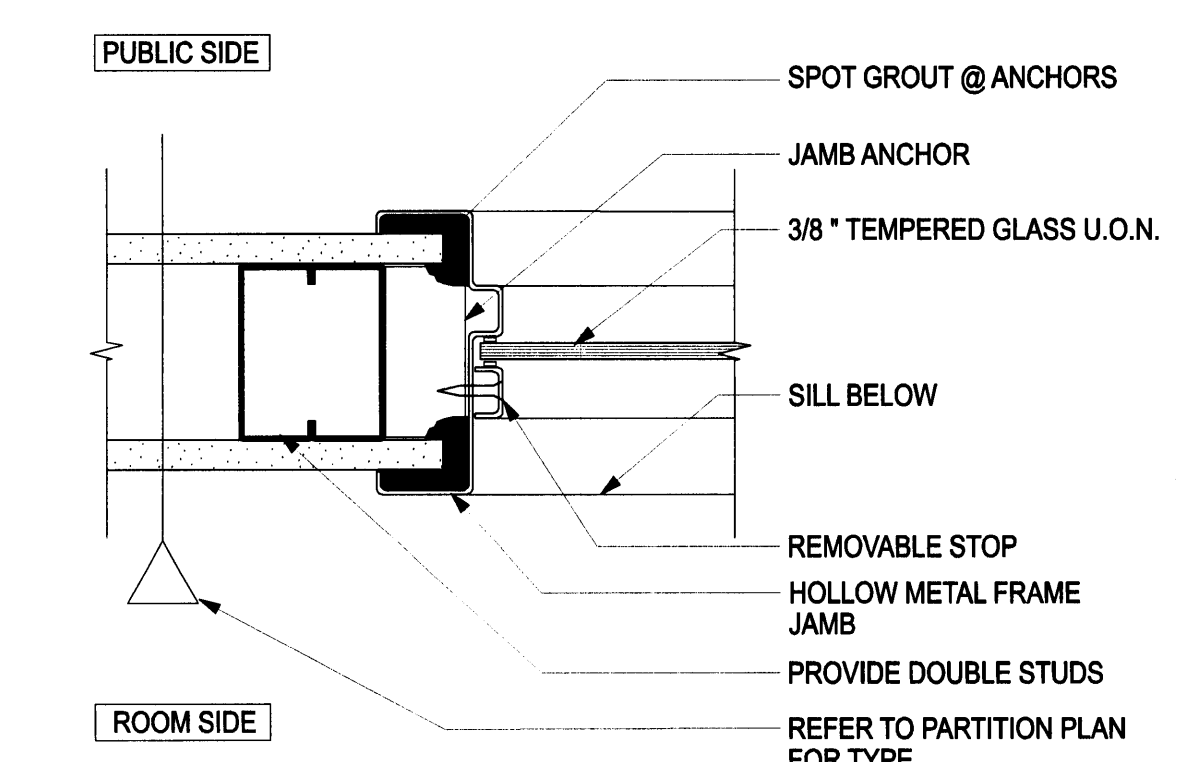
2 HOLLOW METAL FRAME - DOOR JAMB
3" = 1'-0"



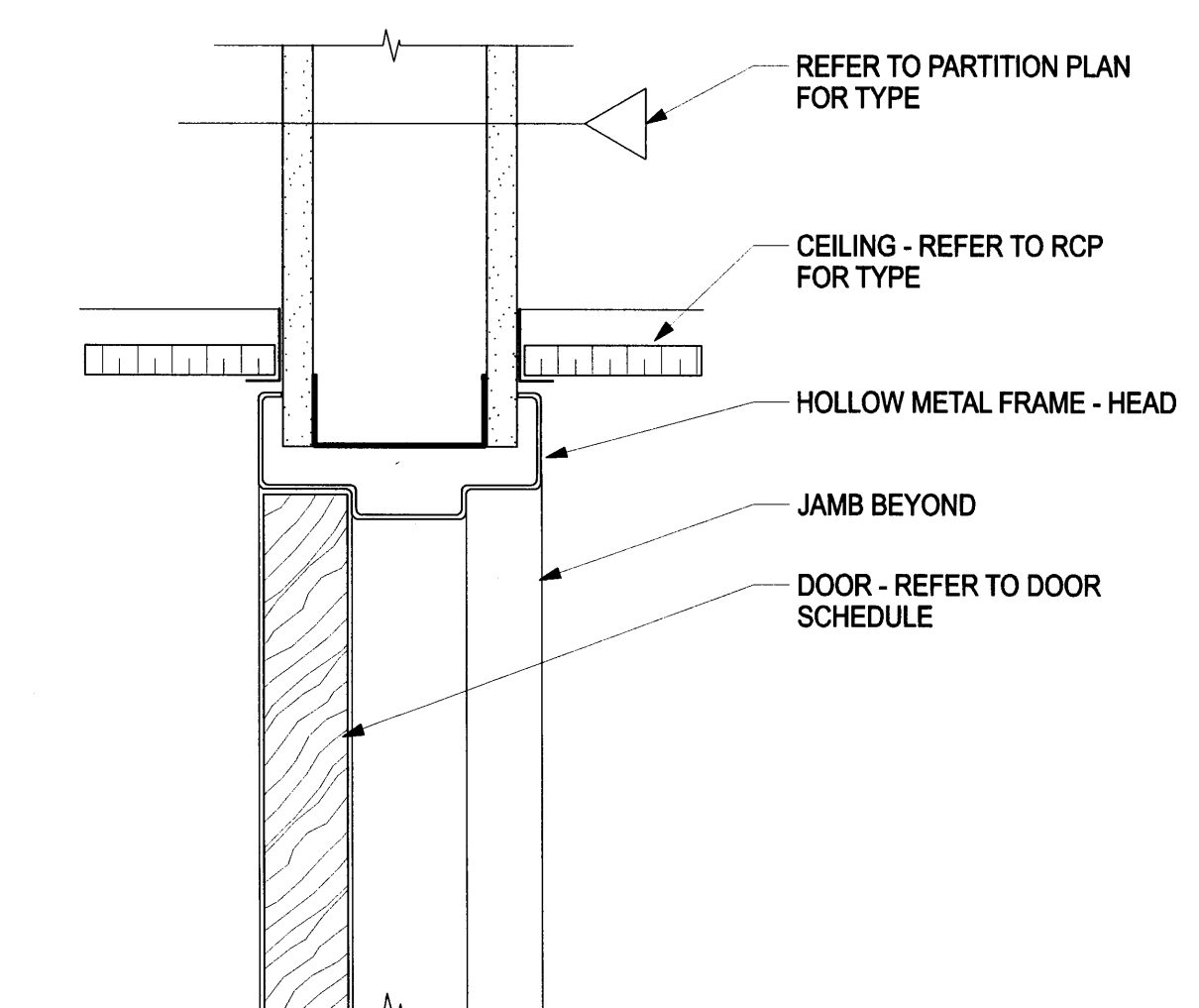
10 GWB HEADER DETAIL @ MODERNFOLD
1 1/2" = 1'-0"



7 ACCESSIBLE SINK BASE CABINET WITH DOOR
1 1/2" = 1'-0"



4 HOLLOW METAL FRAME - GLAZING JAMB
3" = 1'-0"



1 HOLLOW METAL FRAME - DOOR HEAD
3" = 1'-0"