

THIS DOCUMENT IS THE DESIGN PROPERTY AND COPYRIGHT OF NEXIUS AND FOR THE EXCLUSIVE USE OF THE CLIENT. IT IS NOT TO BE REPRODUCED OR TRANSMITTED IN ANY FORM OR BY ANY MEANS, WITHOUT THE EXPRESS WRITTEN CONSENT OF THE CREATOR IS STRICTLY PROHIBITED.

DRAWING SCALES ARE INTENDED FOR 24"x36" SIZE PRINTED MEASUREMENTS UNLESS OTHERWISE NOTED. SIZES ARE DENIED NOT TO SCALE.

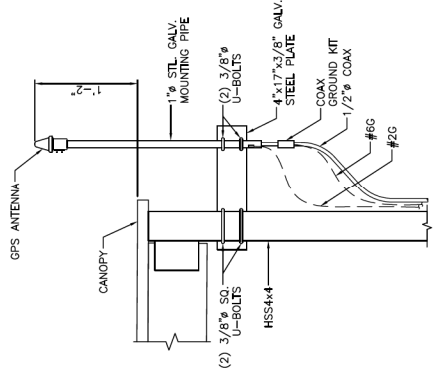
REV	DATE	DESCRIPTION	BY
A	08/28/15	FOR REVIEW	JM
B	03/09/16	REVISED EQUIPMENT	JM
C	07/25/16	REVISED PER SV	JM

SITE INFO:  
 SITE NAME:  
 PORTLAND\_10\_KE  
 LOCATION CODE:  
 381332  
 SITE ADDRESS:  
 81 NORTHPORT DRIVE  
 PORTLAND, ME 04103  
 CUMBERLAND COUNTY

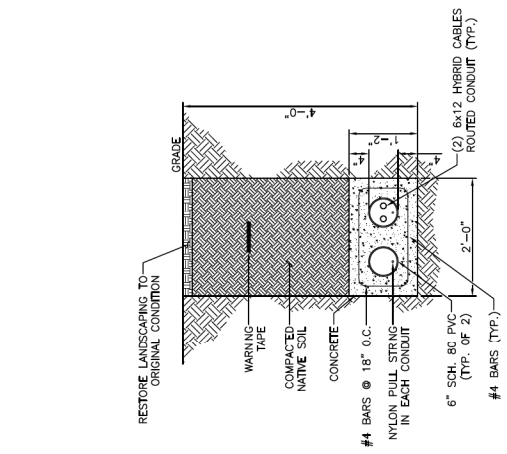
SHEET TITLE:  
 CONSTRUCTION DETAILS

NEXIUS PROJ. NO.:  
 VZ11509  
 CHECKED BY:  
 KB  
 CHECKED BY DATE:  
 03/09/16

SHEET NUMBER:  
**A-3**

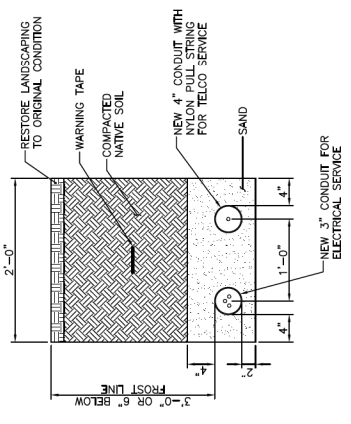


② GPS MOUNTING DETAIL  
 SCALE: N.T.S.

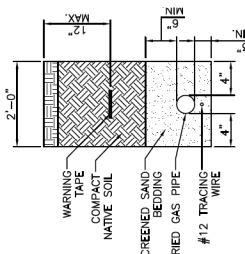


① CONDUIT TRENCH DETAIL  
 SCALE: N.T.S.

ALL EXCAVATING & TRENCHING SHALL BE HAND DUG. 72 HOURS PRIOR TO DIGGING, CONTRACTOR TO NOTIFY ALL UTILITY COMPANIES TO LOCATE ALL UNDERGROUND UTILITIES.

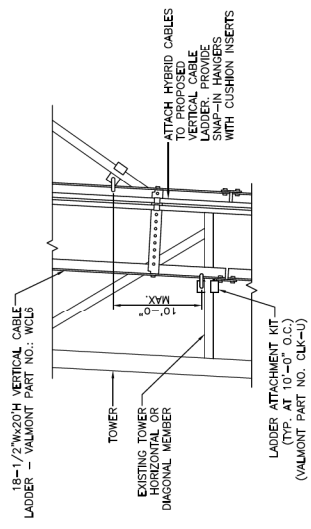


③ UTILITY TRENCH DETAIL  
 SCALE: N.T.S.

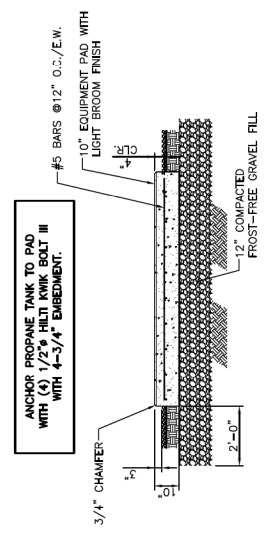


- A. MINIMUM OF 1'-0" VERTICAL CLEARANCE & 3'-0" HORIZONTAL CLEARANCE MUST BE MAINTAINED BETWEEN GAS LINE & ALL OTHER STRUCTURES
- MINIMUM COVER OVER THE PIPE SHALL BE MEASURED AS FOLLOWS:
  - IN THE TRAVEL LANE PORTION OF THE ROADWAY MINIMUM COVER SHALL BE 30" FROM THE TOP OF THE PIPE TO THE SHALLOW SIDE MEASUREMENT.
  - OFF THE TRAVELED PORTION WHEN THE SECTION IS SET LOWER ELEVATION THAN THE TRAVEL LANE MINIMUM COVER SHALL BE 24" FROM THE TOP OF THE TRENCH USING THE SHALLOW SIDE FOR MEASUREMENT.
- OFF OF THE TRAVELED WAY, MINIMUM COVER SHALL BE FROM 24" WITH THE ELEVATION TAKEN FROM THE GUTTER LINE.
- MINIMUM COVER OF SERVICE LINES IN PRIVATE PROPERLY SHALL BE 18" WHEN OUTSIDE PAVED AREAS, I.E. PARKING LOT.
- THE BOTTOM OF THE TRENCH MUST BE FREE OF ROCKS, DEBRIS OR WATER THAT COULD DAMAGE THE PIPE OR ITS COATING.
- PRIOR TO LAYING PIPE, A MIN. OF 3" OF SCREENED SAND MUST BE PLACED IN THE BOTTOM OF THE TRENCH. (SCREENED SAND SHOULD BE COMPARABLE TO MASON SAND).
- THE FIRST LAYER OF PIPE PROTECTION MUST BE A MINIMUM OF 4" OF SAND ON THE SIDES & 6" OF SAND ON THE TOP.

⑤ GAS PIPING TRENCH DETAIL  
 SCALE: N.T.S.



④ VERTICAL CABLE LADDER DETAIL  
 SCALE: N.T.S.



⑥ EQUIPMENT CONCRETE PAD DETAIL  
 SCALE: N.T.S.