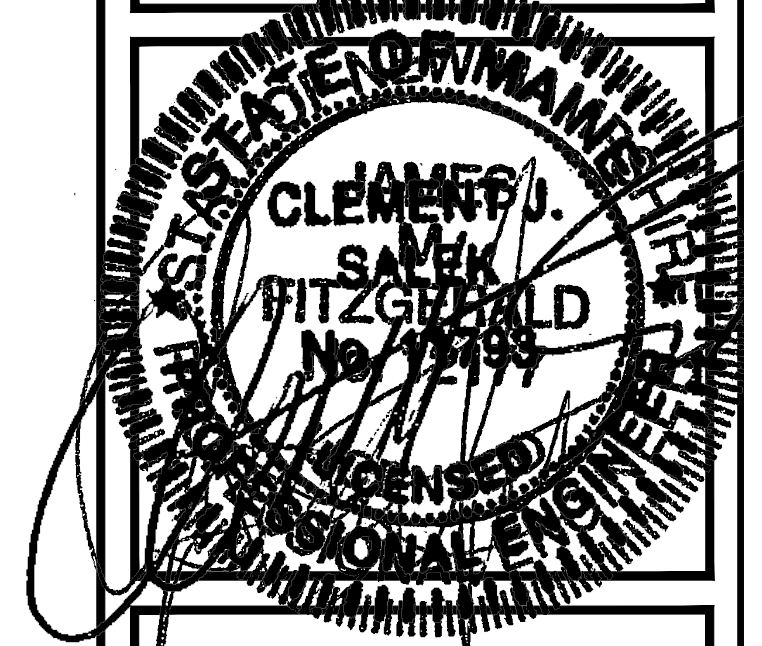


T-MOBILE NORTHEAST LLC
 15 COMMERCE WAY, SUITE B
 NORTON, MA 02766
 OFFICE: (508) 286-2700
 FAX: (508) 286-2893



R.K. EXECUTIVE CENTRE
 201 BOSTON POST ROAD WEST
 SUITE 101
 MARLBOROUGH, MA 01752
 (508) 481-7400
 www.chappellengineering.com



APPROVALS

LANDLORD _____
 LEASING _____
 R.F. _____
 ZONING _____
 CONSTRUCTION _____
 A/E _____

PROJECT NO: 4PB-1288-A

DRAWN BY: CMC

CHECKED BY: JMF

SUBMITTALS

0	03/30/15	ISSUED FOR REVIEW
---	----------	-------------------

THIS DOCUMENT IS THE CREATION, DESIGN, PROPERTY AND COPYRIGHTED WORK OF T-MOBILE NORTHEAST, LLC. ANY DUPLICATION OR USE WITHOUT EXPRESS WRITTEN CONSENT IS STRICTLY PROHIBITED. DUPLICATION AND USE BY GOVERNMENT AGENCIES FOR THE PURPOSES OF CONDUCTING THEIR LAWFULLY AUTHORIZED REGULATORY AND ADMINISTRATIVE FUNCTIONS IS SPECIFICALLY ALLOWED.

4PB-1288-A

WGME INC.

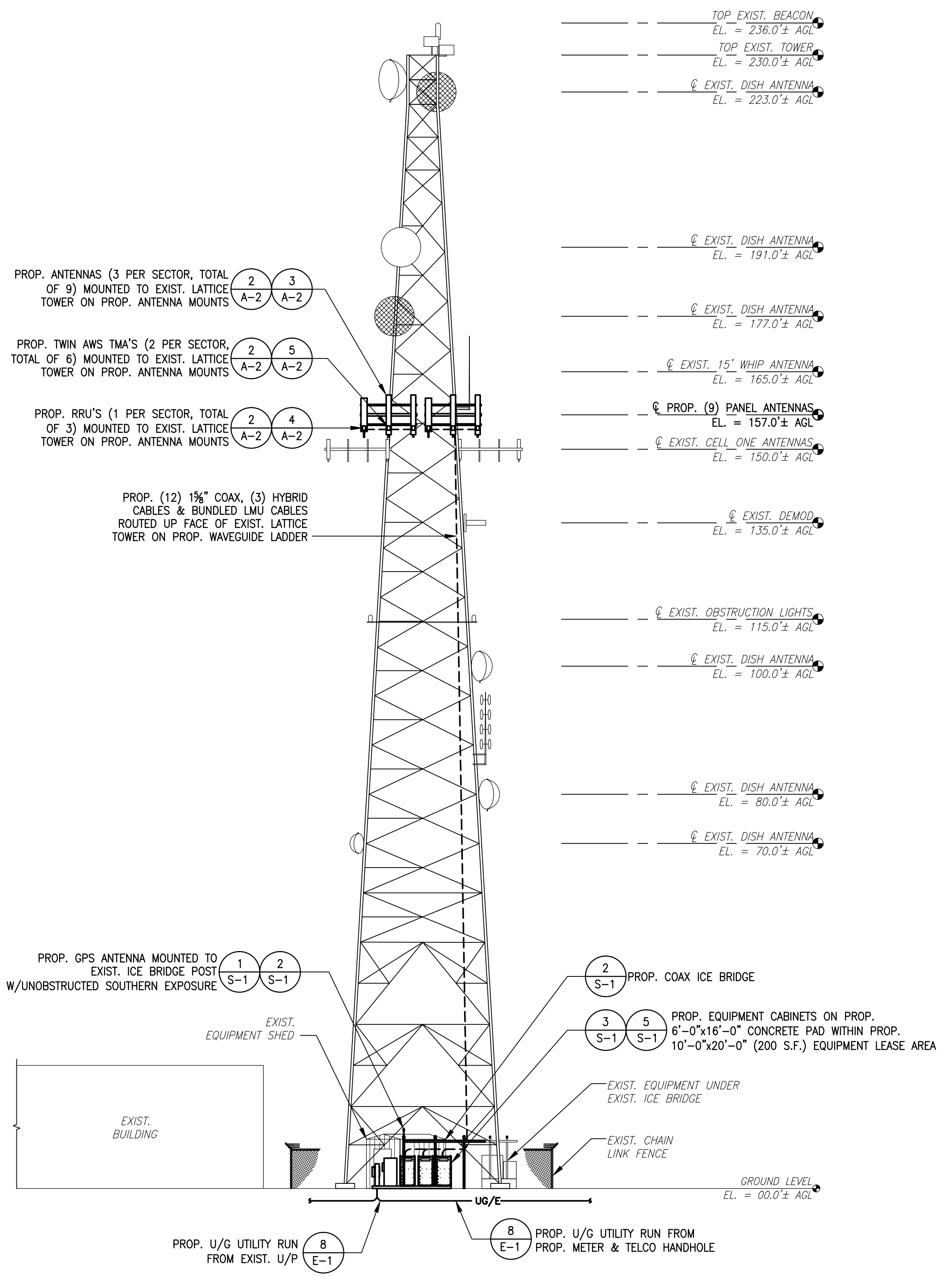
81 NORTHPORT DRIVE
 PORTLAND, ME 04103

SHEET TITLE

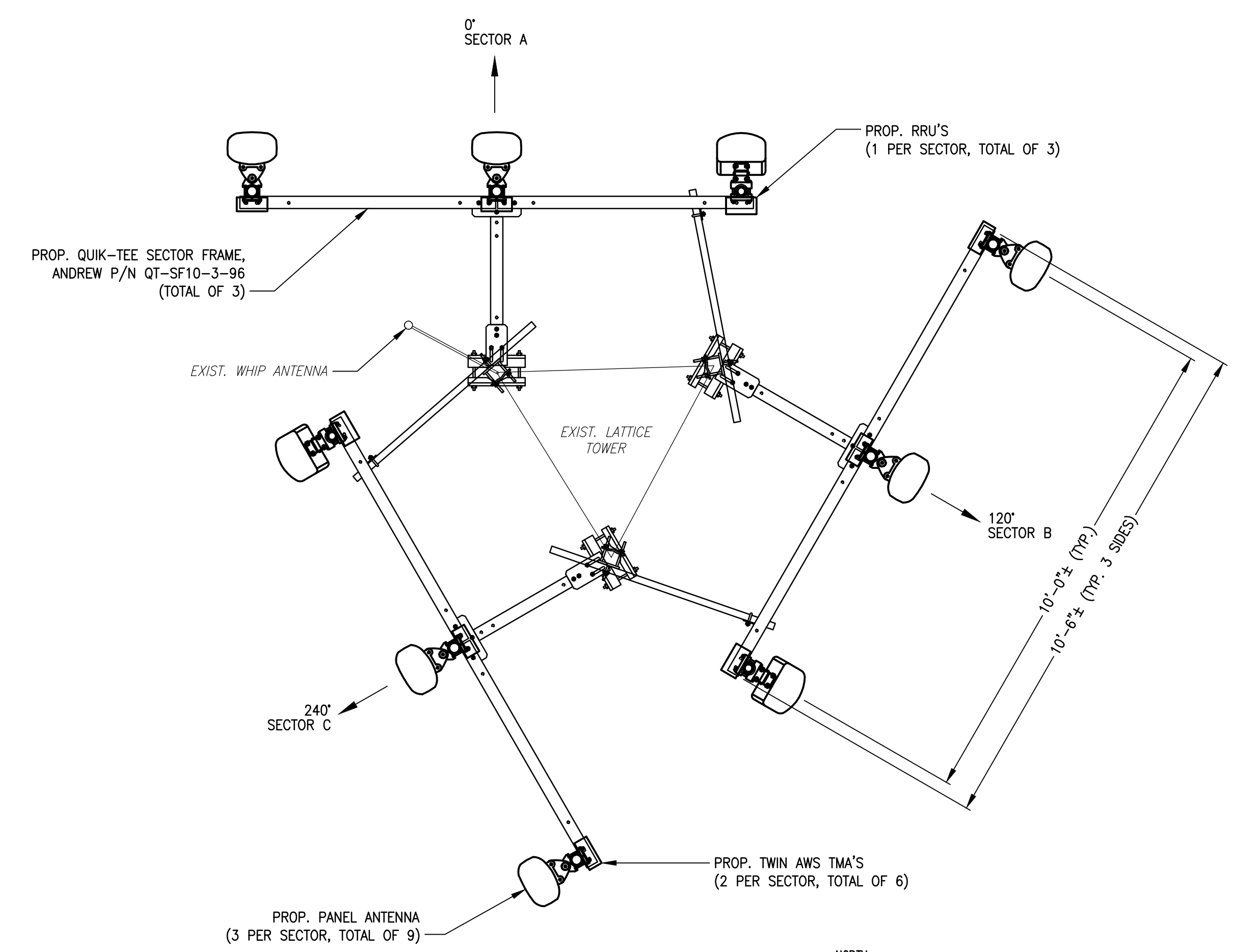
ELEVATION, ANTENNA
 PLAN & DETAILS

SHEET NUMBER

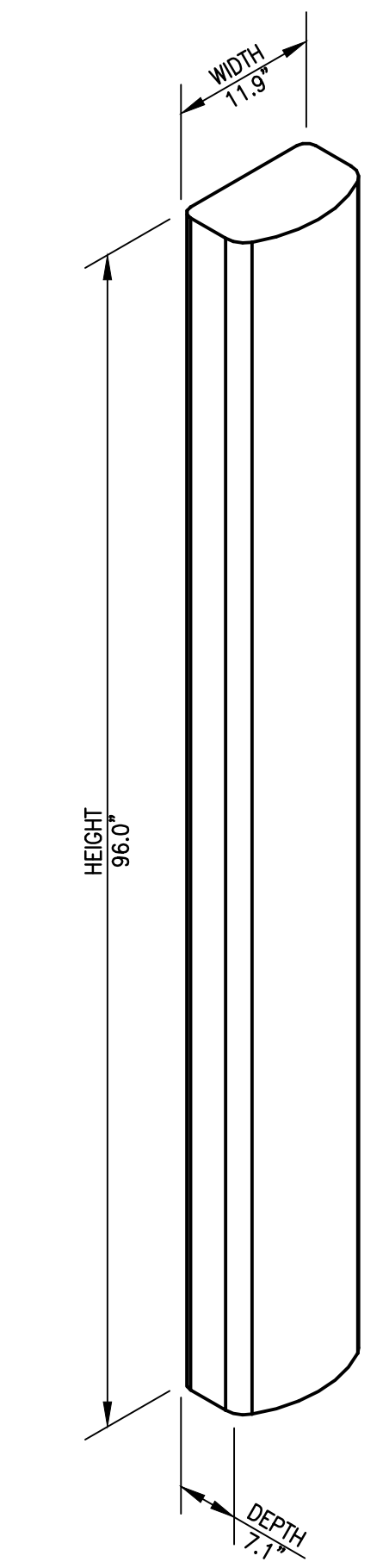
A-2



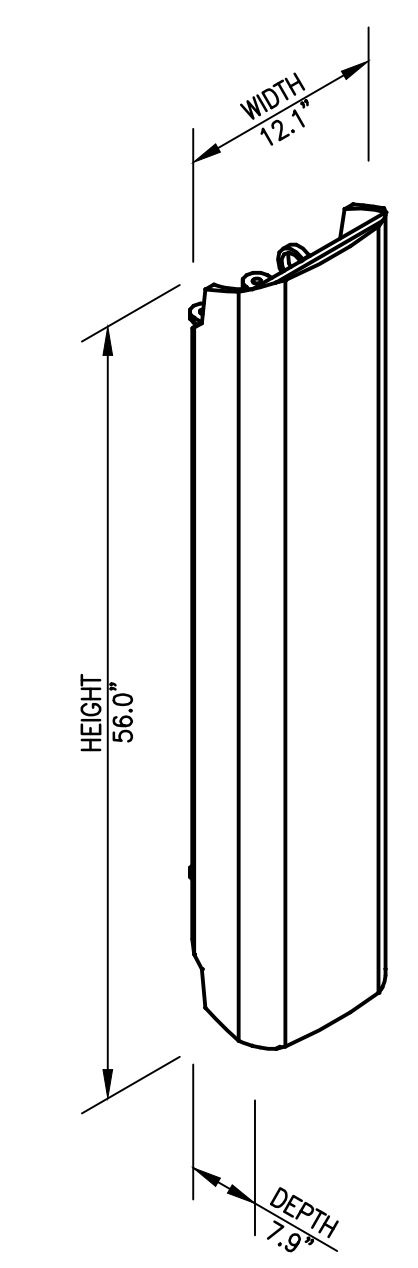
EAST TOWER ELEVATION 1
 SCALE: 1/16" = 1'-0" A-2



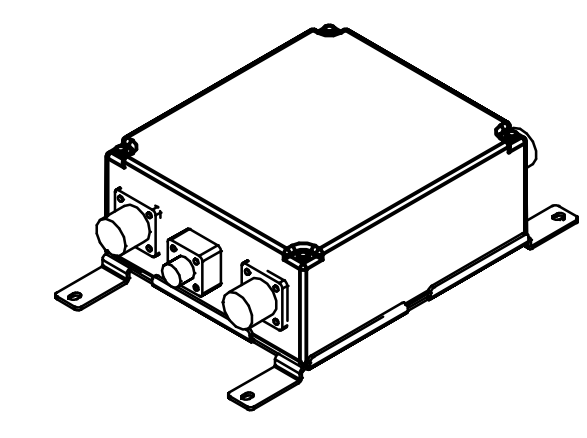
ANTENNA PLAN 2
 SCALE: 1/2" = 1'-0" A-2



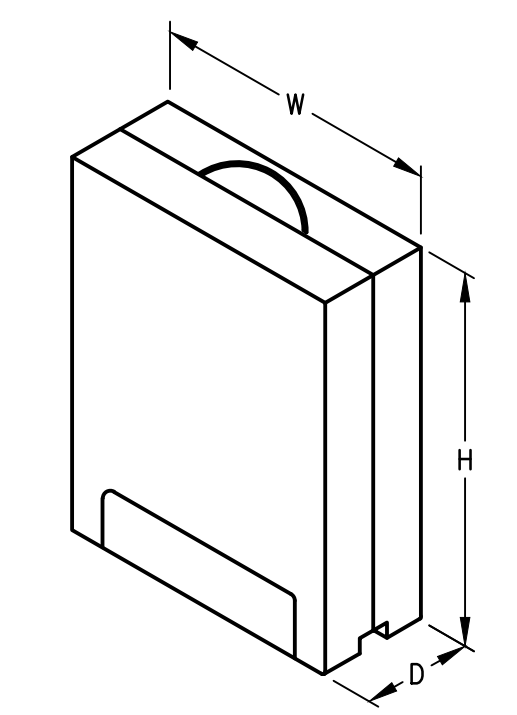
COMMSCOPE SBNH-1D65C PANEL ANTENNA
 DIMENSIONS: 96.0"H x 11.9"W x 7.1"D
 WEIGHT: 49.6 LBS
 1 PER SECTOR, TOTAL OF 3



ERICSSON AIR21 B2A/B4P ANTENNA
 DIMENSIONS: 56.0"H x 12.1"W x 7.9"D
 WEIGHT: 70.0 LBS
 2 PER SECTOR, TOTAL OF 6



TMA DETAILS 5
 SCALE: N.T.S. A-2



RRU DETAILS 4
 SCALE: N.T.S. A-2

ANTENNA DETAILS 3
 SCALE: N.T.S. A-2