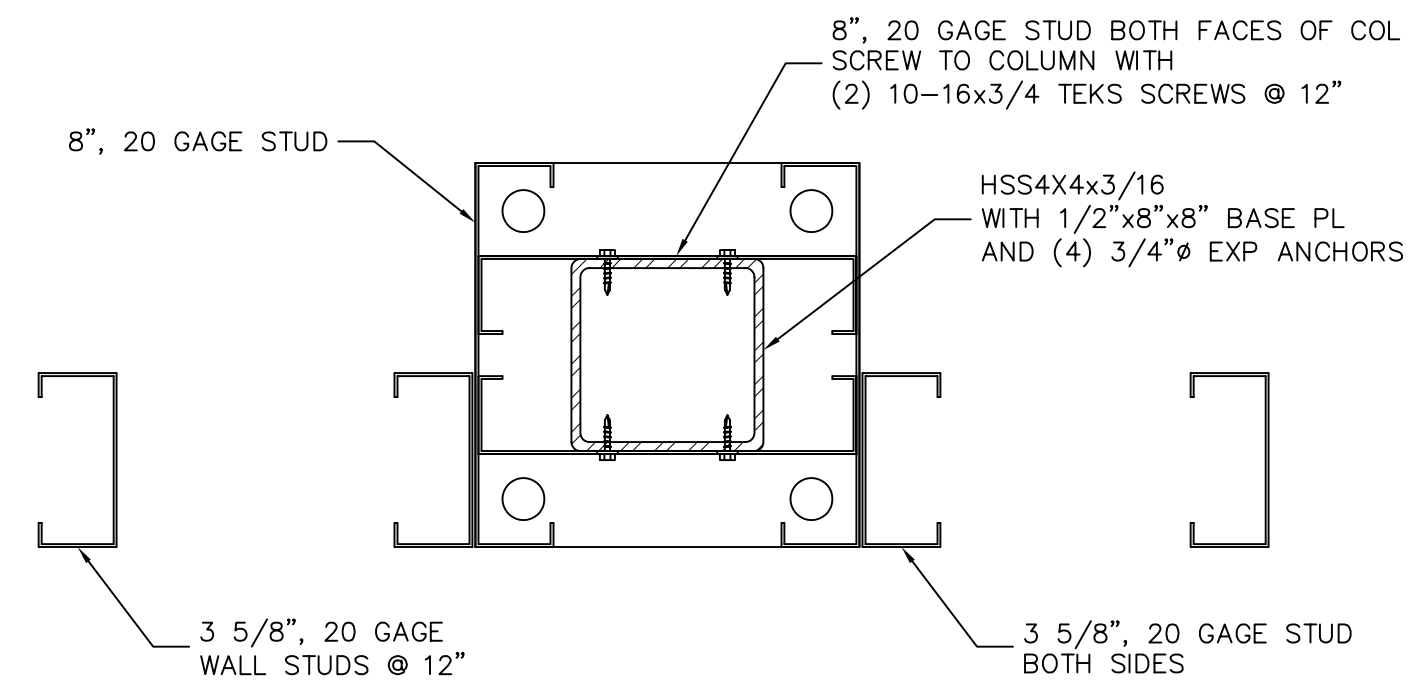
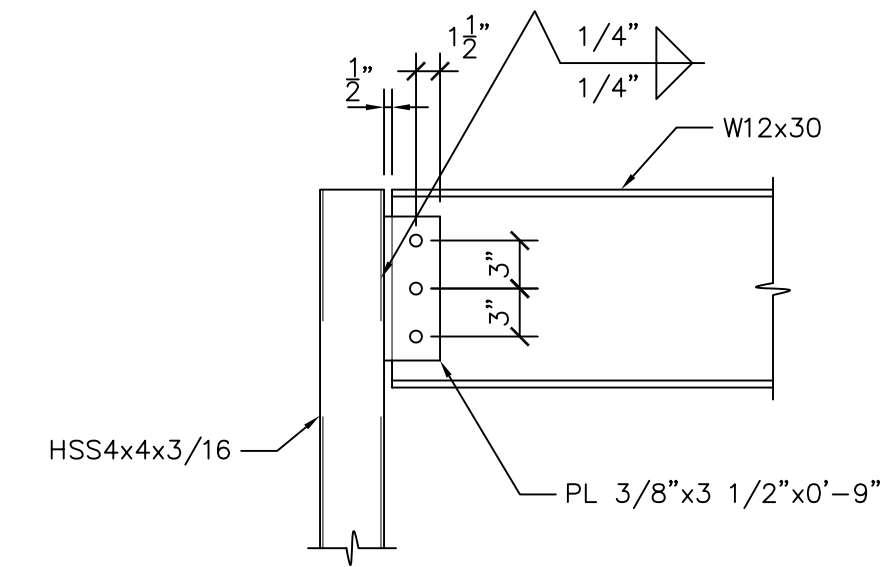


INTERIOR PARTITION BRACE DETAIL
1/2"=1'-0"



COLUMN BASE DETAIL
3"=1'-0"

TYPICAL AT FOLDING PARTITION SUPPORT COLUMNS



BEAM CONNECTION DETAIL
1"=1'-0"

TYPICAL AT FOLDING PARTITION SUPPORT BEAM TO COLUMN

S01

STRUCTURAL DETAILS

AS NOTED

27 November 2006

Date

Revisions:

Project:

L.L. BEAN NORTHPORT CONFERENCE ROOMS

75 NORTHPORT DRIVE
PORTLAND, ME

ARCHETYPE, P.A.
ARCHITECTS

48 Union Wharf Portland, Maine 04101
(207) 772-6022 Fax (207) 772-4056

OWNER:
L.L. BEAN

CASCO STREET
FREEPORT, ME