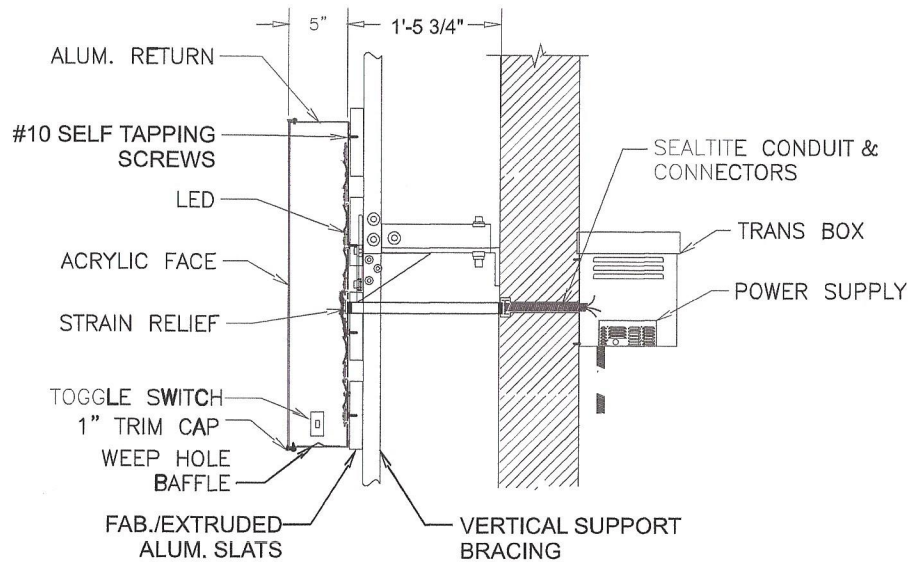
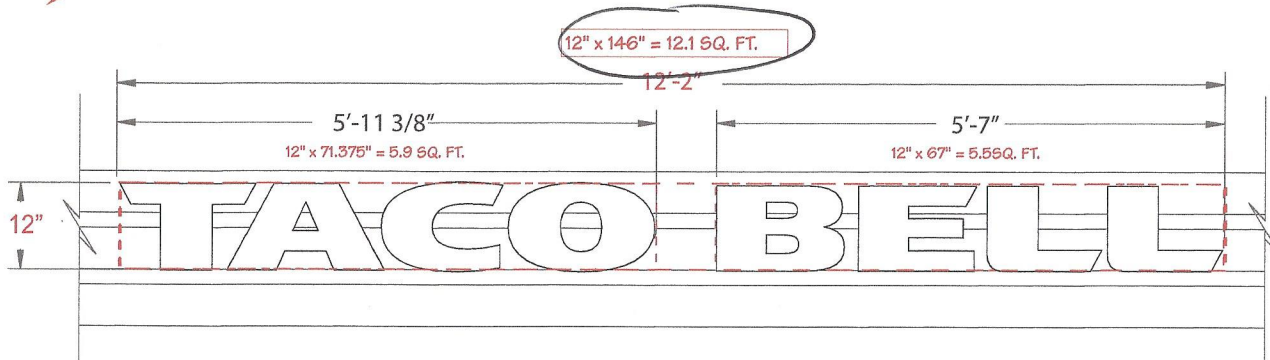


B



SECTION VIEW
EQUIPMENT GROUNDED

SIGN SPECIFICATIONS

- Materials
- Return: Aluminum
 - Face: Flat acrylic with 1" white trimcap.
- Decoration
- Return: Painted White

ELECTRICAL SPECIFICATIONS

- Illumination
- White LED's
- Electronic Drive**
- Power Supply
- Line Load
- Amps: 0.8
 - Circuits: (1) 20 amp
 - Volts: 120

PART# 823-IN-12-CL-WHITE



THIS IS AN ORIGINAL UNPUBLISHED DRAWING CREATED FOR YOUR PERSONAL USE IN CONNECTION WITH A PROJECT PLANNED FOR YOU BY CUMMINGS. IT IS NOT TO BE SHOWN OUTSIDE YOUR ORGANIZATION NOR USED, REPRODUCED, COPIED OR EXHIBITED IN ANY FASHION UNLESS AUTHORIZED IN WRITING BY AN OFFICER OF CUMMINGS.

CUSTOMER APPROVAL:

DATE:

Rev. #	DATE	BY	Rev. #	DATE	BY
Rev. #1			Rev. #4	2-24-17	T. Pickel
Rev. #2	2-13-17	T. Pickel	Rev. #5		
Rev. #3	2-23-17	T. Pickel	Rev. #6		

TACO BELL

1363 WASHINGTON AVE.,
PORTLAND, ME

DRAWING NO:

81840.04

ARTIST: T. Pickel DATE: 1-22-16
SHEET: 5 OF 13

THIS DESIGN REMAINS OUR EXCLUSIVE PROPERTY AND CANNOT BE DUPLICATED WITHOUT WRITTEN CONSENT