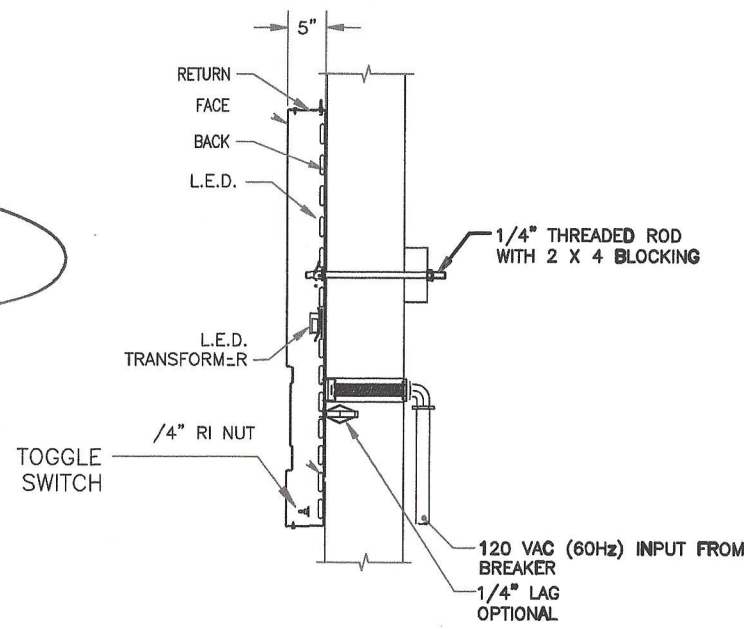
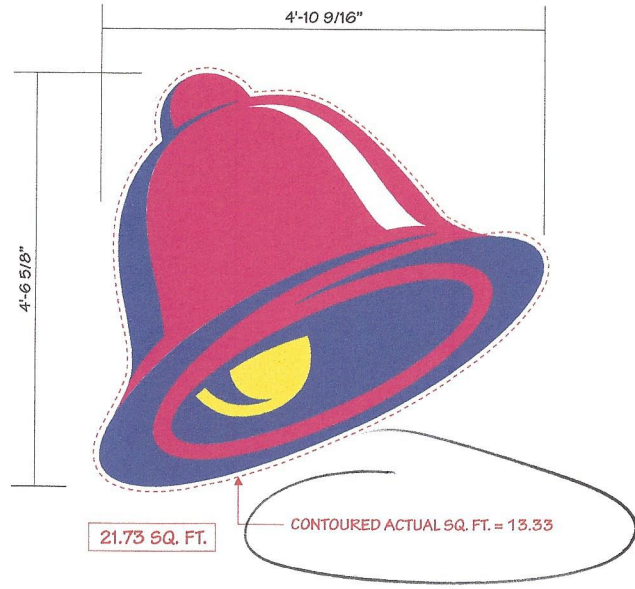




4'- 6 5/8" x 4'- 10 9/16" SWINGING BELL CHANNEL LOGO - LED ILLUMINATION



SIGN SPECIFICATIONS

- Materials
- Return: Aluminum- 5" Deep
 - Face: Formed And Debossed White Polycarbonate
- Decoration
- Return: Painted Violet Spraylat L8-7917
 - Face: 2nd Surface Graphics
- Accesses
- Removable Face

- Weight(Est.)
- 125 lbs.
- Wind Load
- Windload Designed For 110 mph Wind Zone

ELECTRICAL SPECIFICATIONS

- Illumination
- White LED's - 5000K
- Electronic
- Power Supply
- Line Load
- Amps: 0.8
 - Circuits: (1) 20 amp
 - Volts: 120

COLOR SPECIFICATIONS

Graphic & Color Specifications

Color	Other	3M
White	Spraylat White 801	
Violet	Spraylat L8-7937	3630-9126
Yellow	Spraylat L8-7937	3630-015
Magenta	Spraylat L8-7836	3630-1412

PART # 823-NI-4X4-BELL

CUMMINGS
Customer obsession through brand innovation.

THIS IS AN ORIGINAL UNPUBLISHED DRAWING CREATED FOR YOUR PERSONAL USE IN CONNECTION WITH A PROJECT PLANNED FOR YOU BY CUMMINGS. IT IS NOT TO BE SHOWN OUTSIDE YOUR ORGANIZATION NOR USED, REPRODUCED, COPIED OR EXHIBITED IN ANY FASHION UNLESS AUTHORIZED IN WRITING BY AN OFFICER OF CUMMINGS.

THIS DESIGN REMAINS OUR EXCLUSIVE PROPERTY AND CANNOT BE DUPLICATED WITHOUT WRITTEN CONSENT.

CUSTOMER APPROVAL:

DATE: _____

Rev. #	DATE	BY	Rev. #	DATE	BY
Rev. #1			Rev. #4	2-24-17	T. Pickel
Rev. #2	2-13-17	T. Pickel	Rev. #5		
Rev. #3	2-23-17	T. Pickel	Rev. #6		

TACO BELL

1363 WASHINGTON AVE.,
PORTLAND, ME

DRAWING NO:
81840.04

ARTIST: T. Pickel DATE: 1-22-16
SHEET: 4 OF 13