

THE DEDICATED POS POWER CIRCUIT REQUIRES AN ISOLATED GROUND IN ADDITION TO THE NORMAL COMMON BUILDING GROUND. THE ISOLATED GROUND WIRE SERVES TWO PURPOSES:
 * AS A SAFETY PATH TO GROUND.
 * AS A ZERO REFERENCE POINT FOR ALL POS DIGITAL LOGIC.

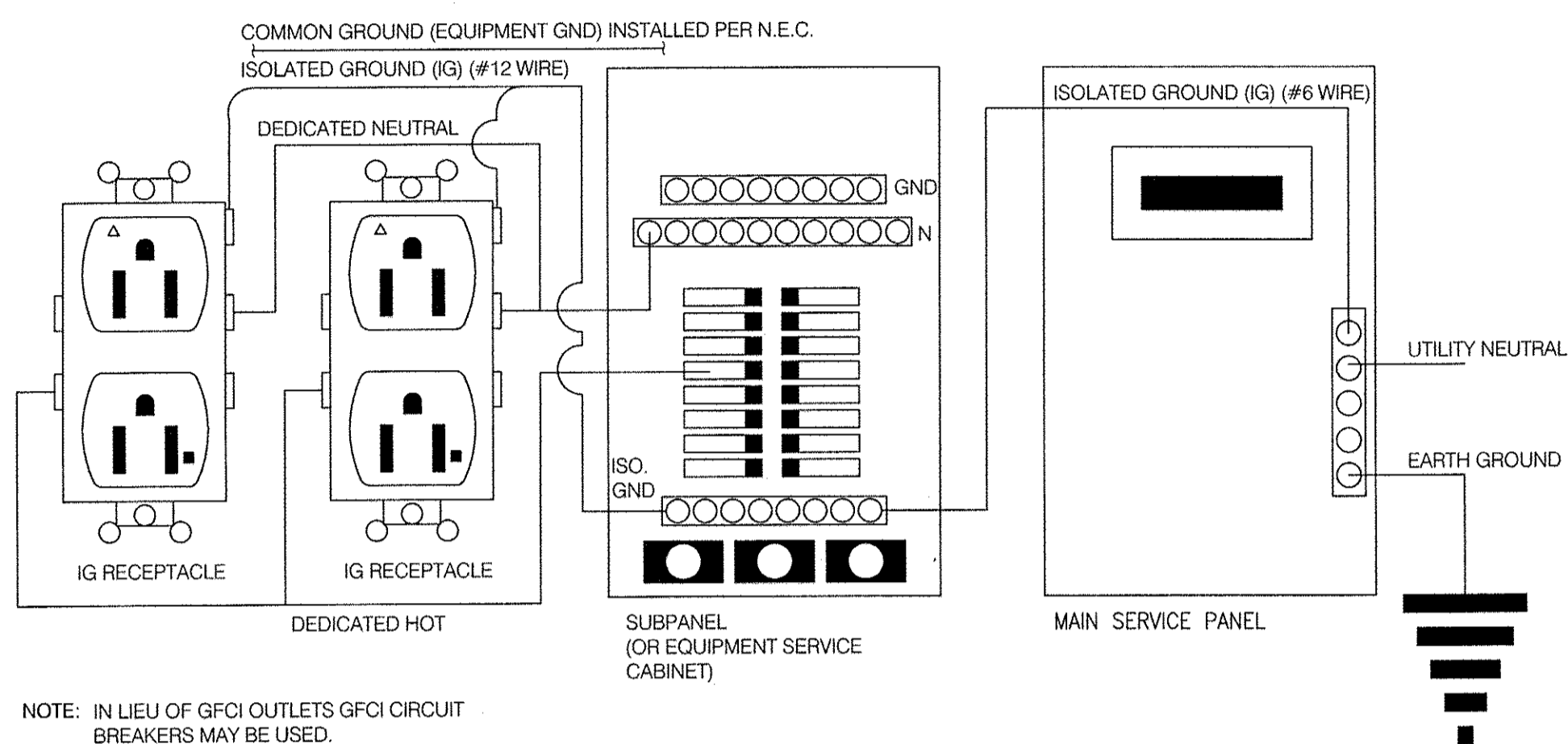
THE GROUND MUST EXHIBIT THE LOWEST POSSIBLE IMPEDANCE TO MINIMIZE VOLTAGE TRANSIENTS AND NOISE.

BE SURE TO:

- * USE AN INSULATED CONDUCTOR FOR THE ISOLATED GROUND WIRE.
- * RUN THE ISOLATED GROUND WIRE THROUGH THE SAME CONDUIT AS THE HOT AND NEUTRAL WIRES.
- * INSTALL ONLY ISOLATED GROUND (IG) TYPE RECEPTACLES.
- * CONNECT THE ISOLATED GROUND WIRE TO BUILDING GROUND ONLY AT THE MAIN SERVICE PANEL.
- * VERIFY THAT IG RECEPTACLES PRE-WIRED IN OWNER SUPPLIED EQUIPMENT HAVE A TRUE ISOLATED GROUND THAT CAN BE TRACED BACK TO THE BUILDING GROUND AT THE MAIN SERVICE PANEL.

DO NOT CONNECT THE ISOLATED GROUND WIRE TO THE CONDUIT, JUNCTION BOXES, THE FRAME ON A SUBPANEL, OR ANY OTHER METAL SURFACE.

DEDICATED CIRCUITS: DEDICATED CIRCUITS REQUIRE A DEDICATED HOT AND A DEDICATED NEUTRAL THAT ARE NOT SHARED WITH ANY OTHER CIRCUITS. IG RECEPTACLES MUST BE 'PHASE ALIGNED' WITH THE 'B' PHASE OF BUILDING SUBPANEL 'A'.

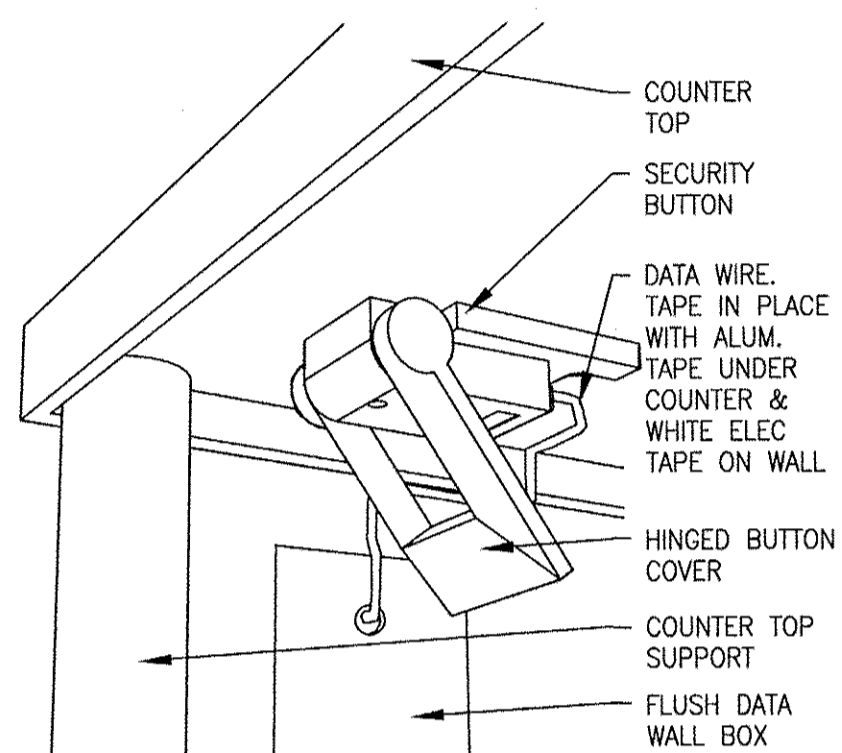


P.O.S. ISOLATED GROUND SYSTEM N.T.S. **14**

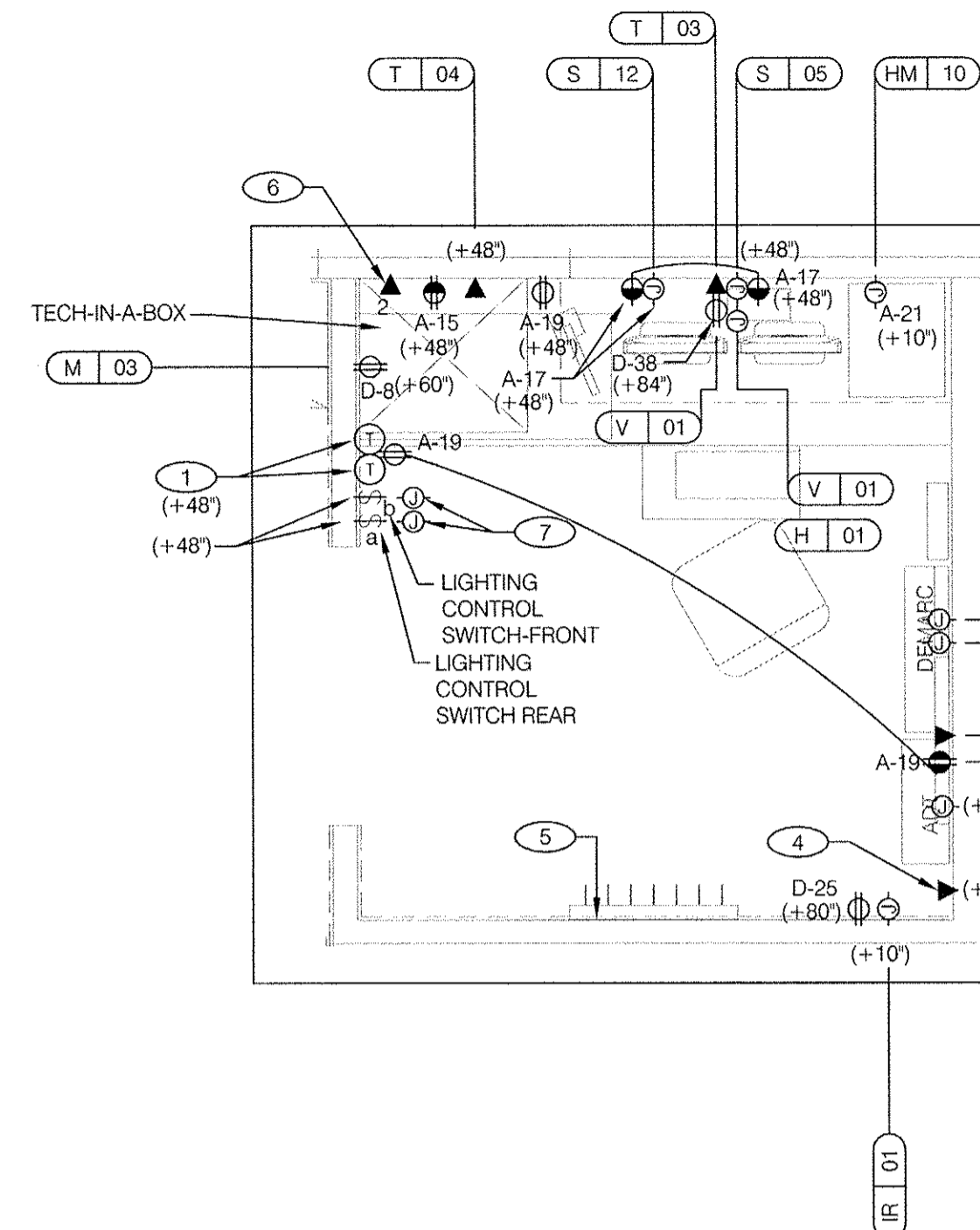
YEW011



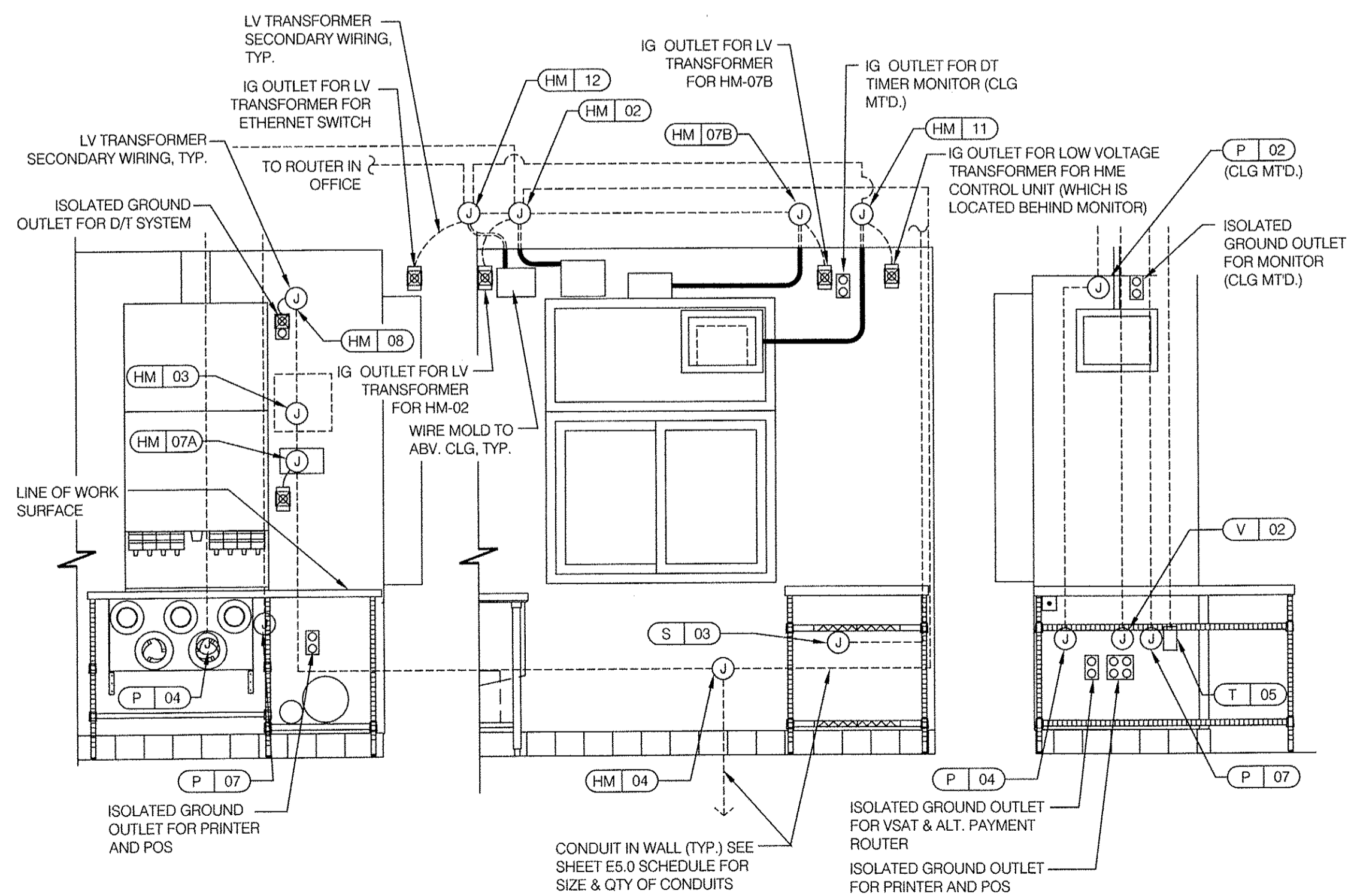
SECURITY BUTTON ON WALL N.T.S. **5**



SECURITY BUTTON UNDER COUNTER N.T.S. **6**



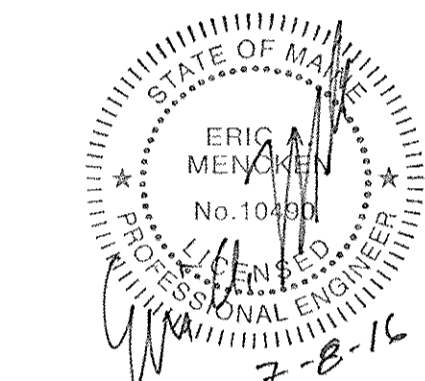
ENLARGED POWER AND COMMUNICATIONS PLAN (OFFICE) 1/2" = 1'-0" **3**



REFER TO COMMUNICATIONS SCHEDULE ON SHEET E5.0 FOR EQUIPMENT DESCRIPTIONS/MOUNTING HTS.

ENLARGED INTERIOR ELEVATION (D/T WINDOW) 1/2" = 1'-0" **16**

- 1 THERMOSTATS CONTROLS.
- 2 NOTE NOT USED.
- 3 NOTE NOT USED.
- 4 PHONE JACK FOR MODEM.
- 5 LOCATION OF FAN & LIGHT CONTROL BOX. COORDINATE EXACT LOCATION IN FIELD.
- 6 DATA JACK FOR TECH-IN-A-BOX WITH 2 PORTS.
- 7 JUNCTION BOX AT +54" FOR ROOF TOP UNIT REMOTE SMOKE DETECTOR TEST/RESET SWITCH.



CONTRACT DATE: 07.06.2016
 BUILDING TYPE: CONVERSION
 PLAN VERSION: FEBRUARY 2015
 SITE NUMBER: XXX-XXX
 STORE NUMBER: XXXXX

TACO BELL
 1363 WASHINGTON AVE.
 PORTLAND, ME

TACO BELL
CONVERSION
 LIVE MAS - MEDIUM40

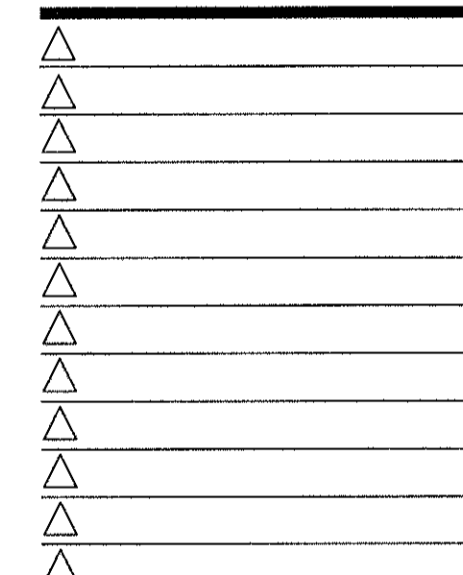
ENLARGED POWER PLAN AND DETAILS

E3.1

PLOT DATE:

NOT USED N.T.S. **8**

KEY NOTES N.T.S. **A**



NOT USED N.T.S. **8**