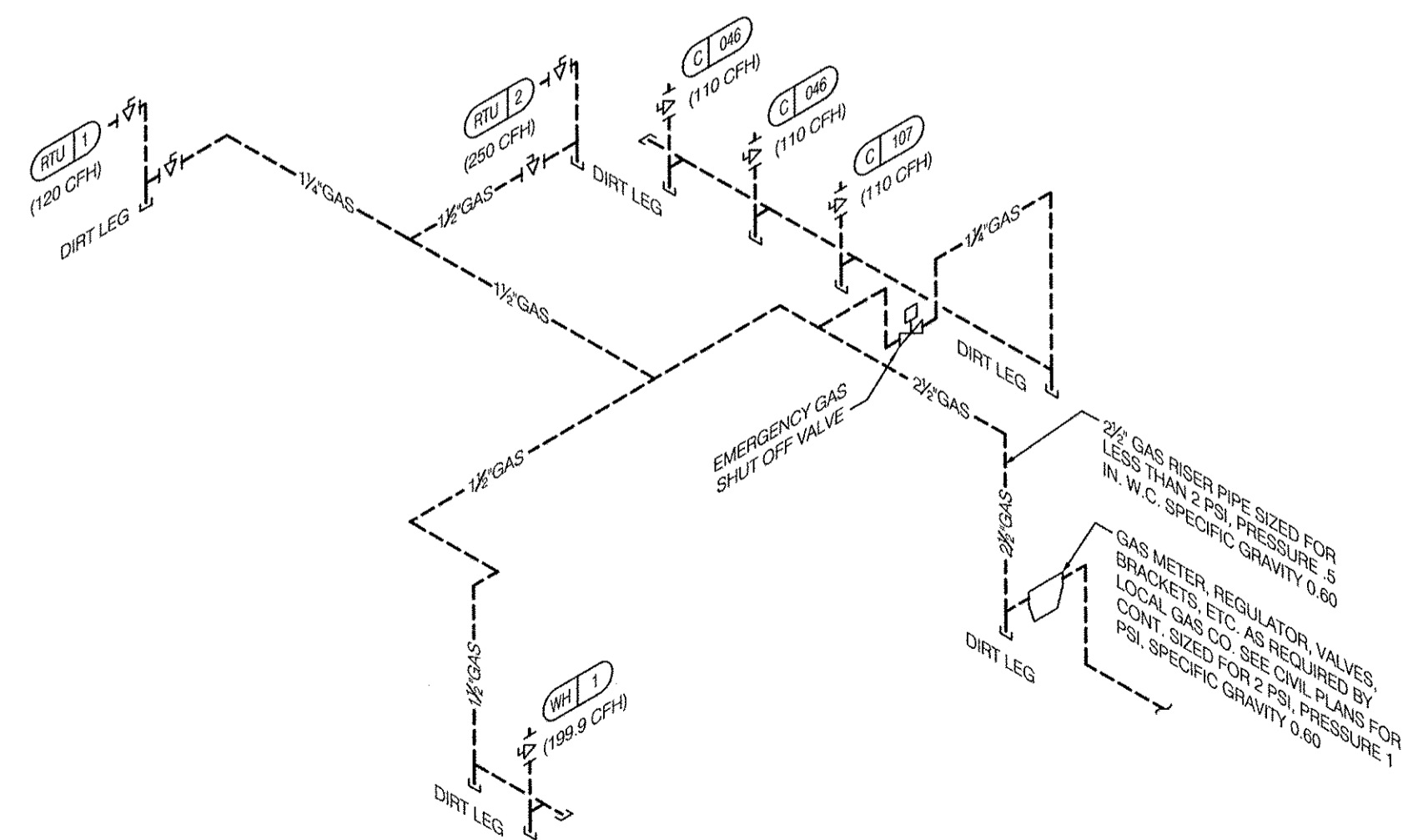
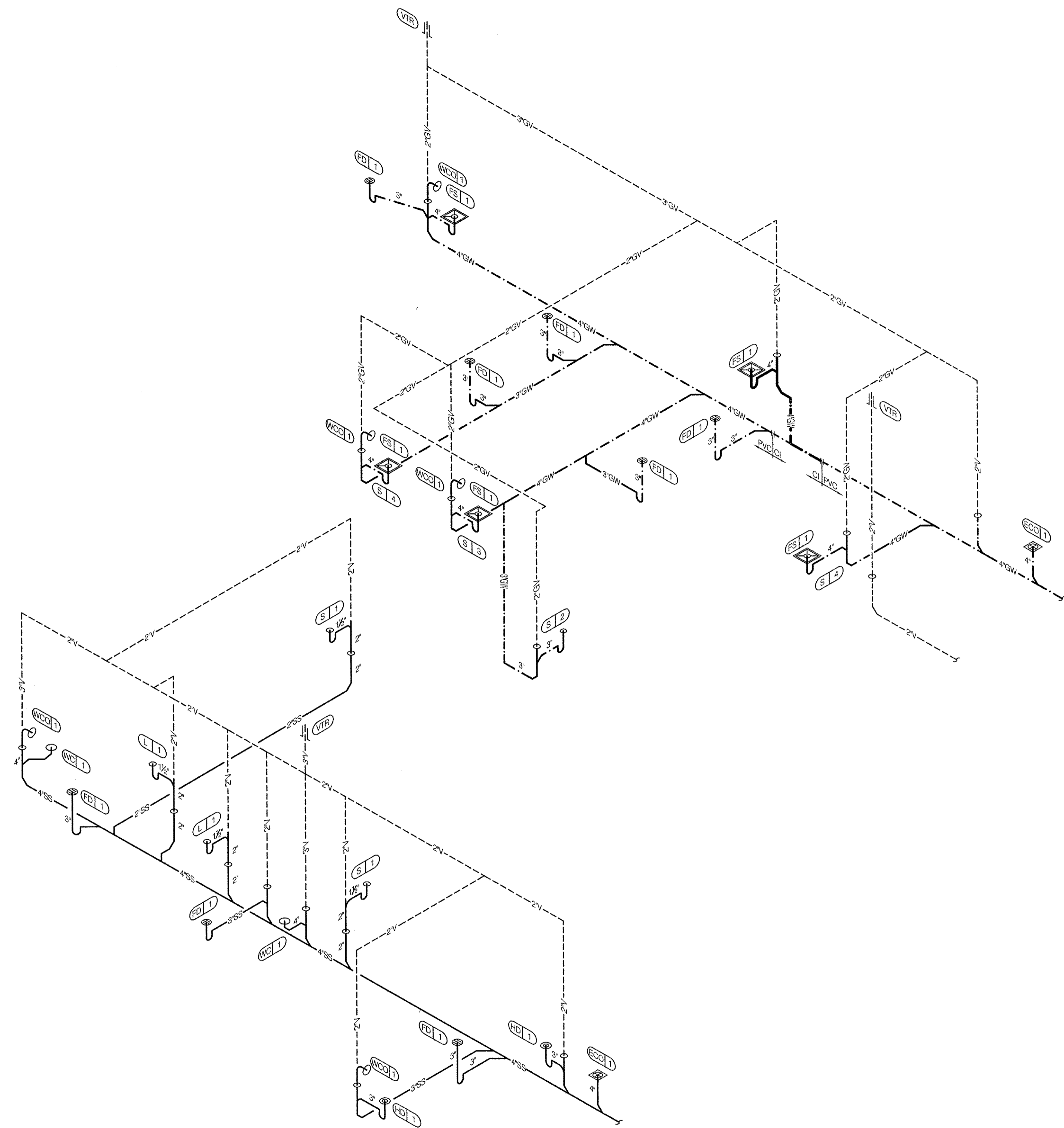


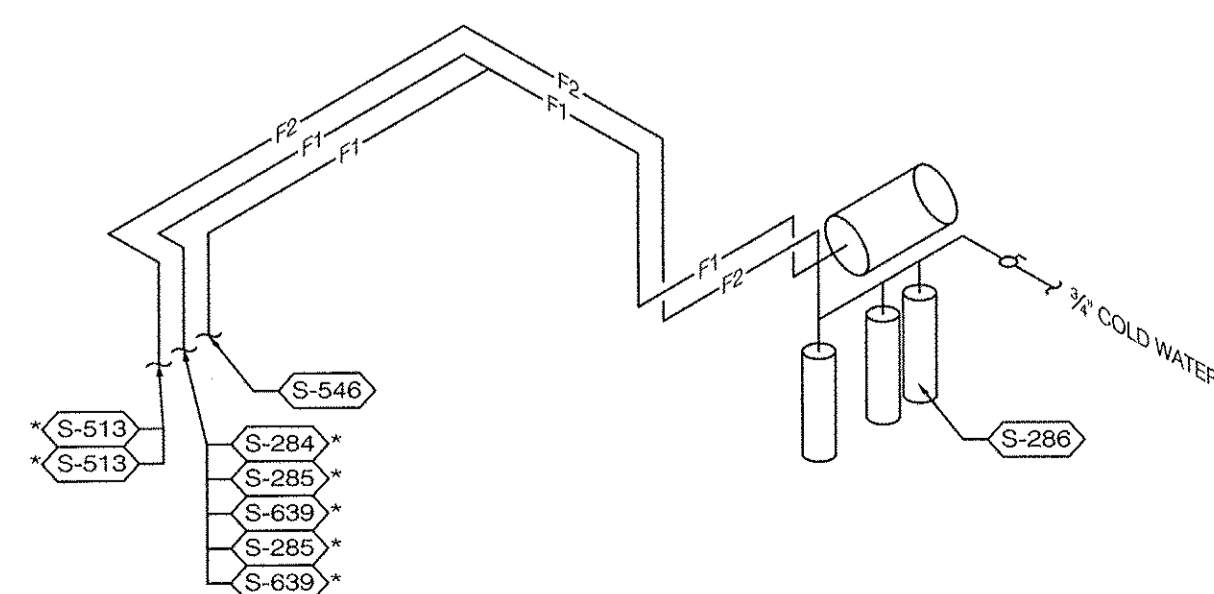
WATER ISOMETRIC N.T.S. **3**



GAS ISOMETRIC N.T.S. **4**



WASTE AND VENT ISOMETRIC N.T.S. **1**



FILTERED EQUIPMENT AND LINES:

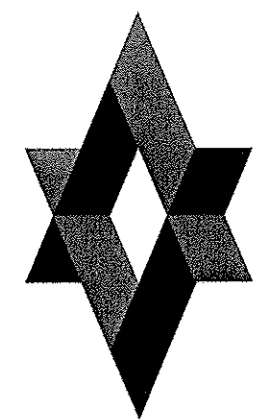
S-286 - WATER FILTER

FILTERED LINE (COLD WATER)

- S-513 - ICE MAKER - ABOVE SELF-SERVE BEVERAGE DISPENSER *
- S-513 - ICE MAKER - ABOVE DRIVE-THRU BEVERAGE DISPENSER *
- S-285 - DRIVE-THRU BEVERAGE DISPENSER *
- S-284 - SELF-SERVE BEVERAGE DISPENSER *
- S-546 - ICED TEA BREWER
- S-639 - FROZEN BEVERAGE DISPENSER

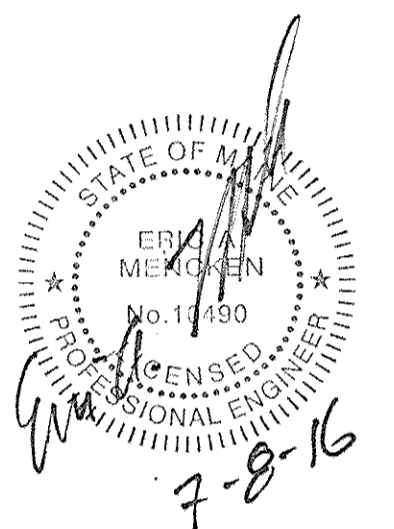
* FILTERED WATER SUPPLIED VIA SYRUP BUNDLE. REFER TO 11/P6.0. SEE SCOPE OF WORK FOR RESPONSIBILITIES.

FILTERED WATER ISOMETRIC N.T.S. **2**



MARK D. MCCLUGGAGE AIA, CCS
 185 E. DAVENPORT, WINDHAM, NH 03093
 Tel: (603) 265-8877
 Fax: (603) 265-8886
 MAINE LIC. #RC-323

DEVITA
 ATLANTA • GREENVILLE • RICHMOND
 877.4.DEVITA • corp@devita.com
 DeVita & Associates, Inc. Project : 16002-30
 Drawn By: MAS Checked By: KFM



CONTRACT DATE: 07.06.2016
 BUILDING TYPE: CONVERSION
 PLAN VERSION: FEBRUARY 2015
 SITE NUMBER: XXX-XXX
 STORE NUMBER: XXXXX

TACO BELL
 1363 WASHINGTON AVE.
 PORTLAND, ME



RISER DIAGRAMS
P5.0

PLOT DATE: