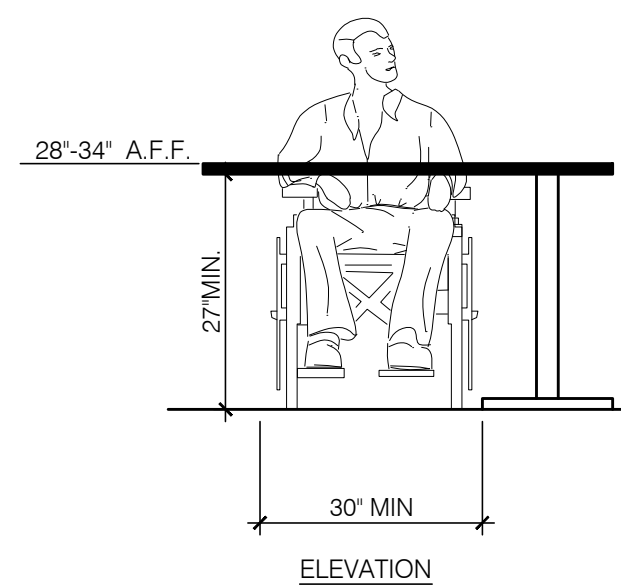
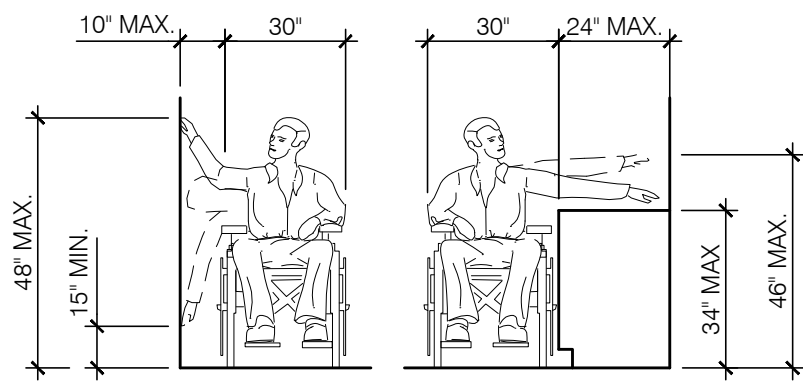
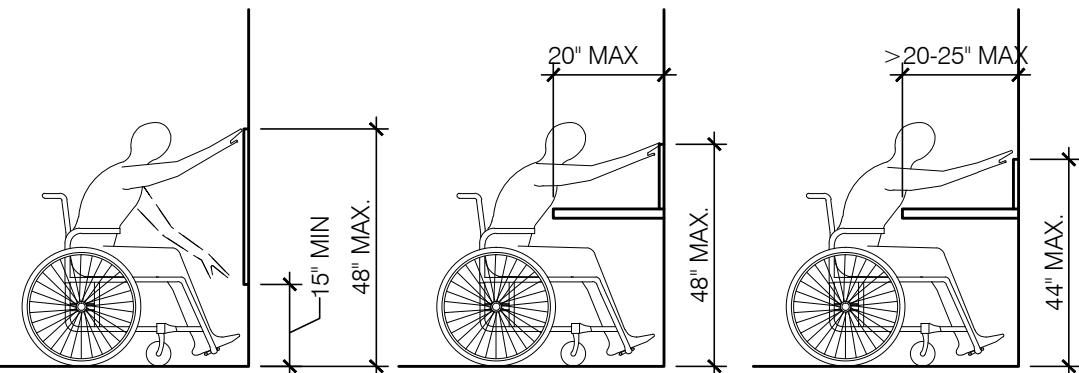


TOTAL SEATS	ACCESSIBLE SEATS
1 - 20	1
21 - 40	2
41 - 60	3
61 - 80	4
81 - 100	5
101 - 120	6
121 - 140	7

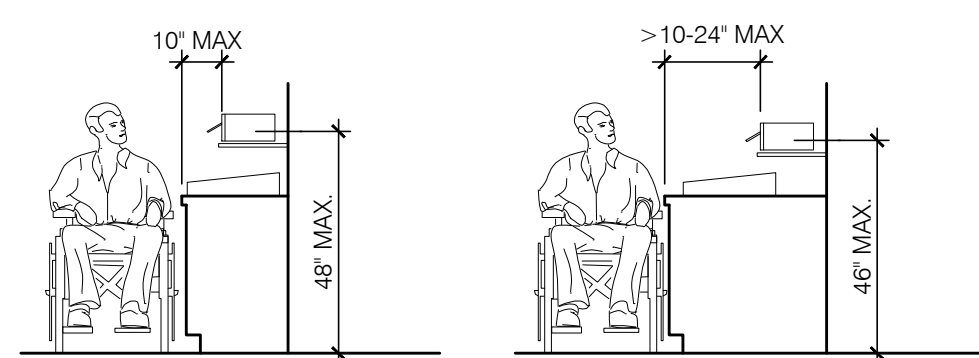
NUMBER OF ACCESSIBLE SEATS



SEATING AND TABLES N.T.S. 18



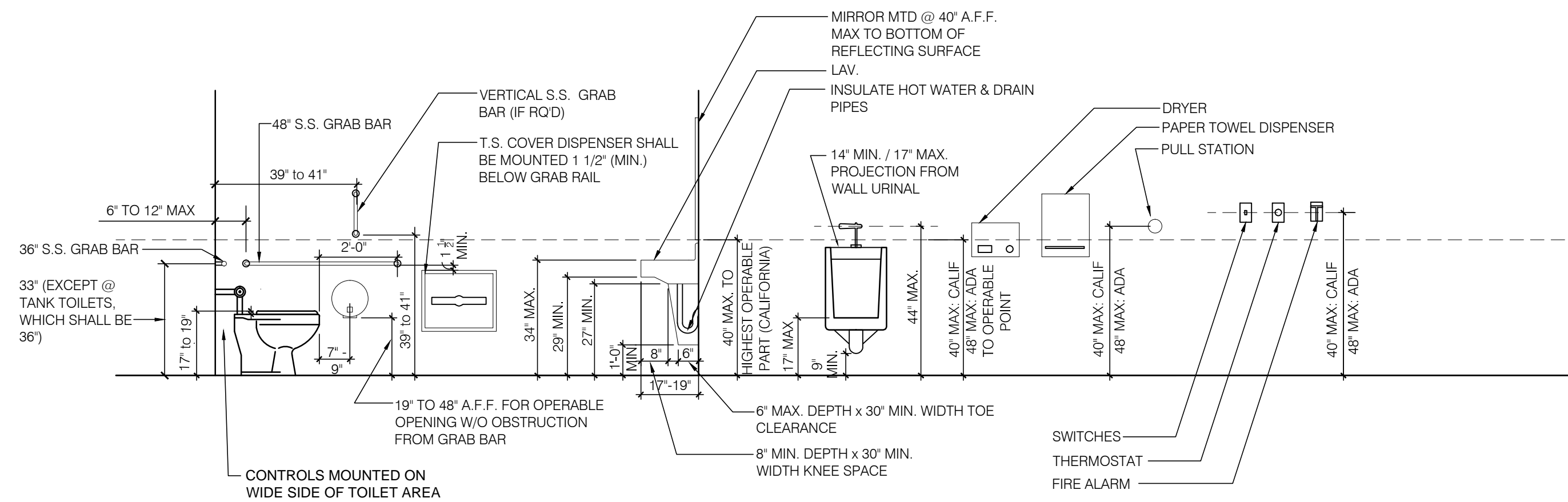
EXAMPLE: DRINK MACHINE, ETC.



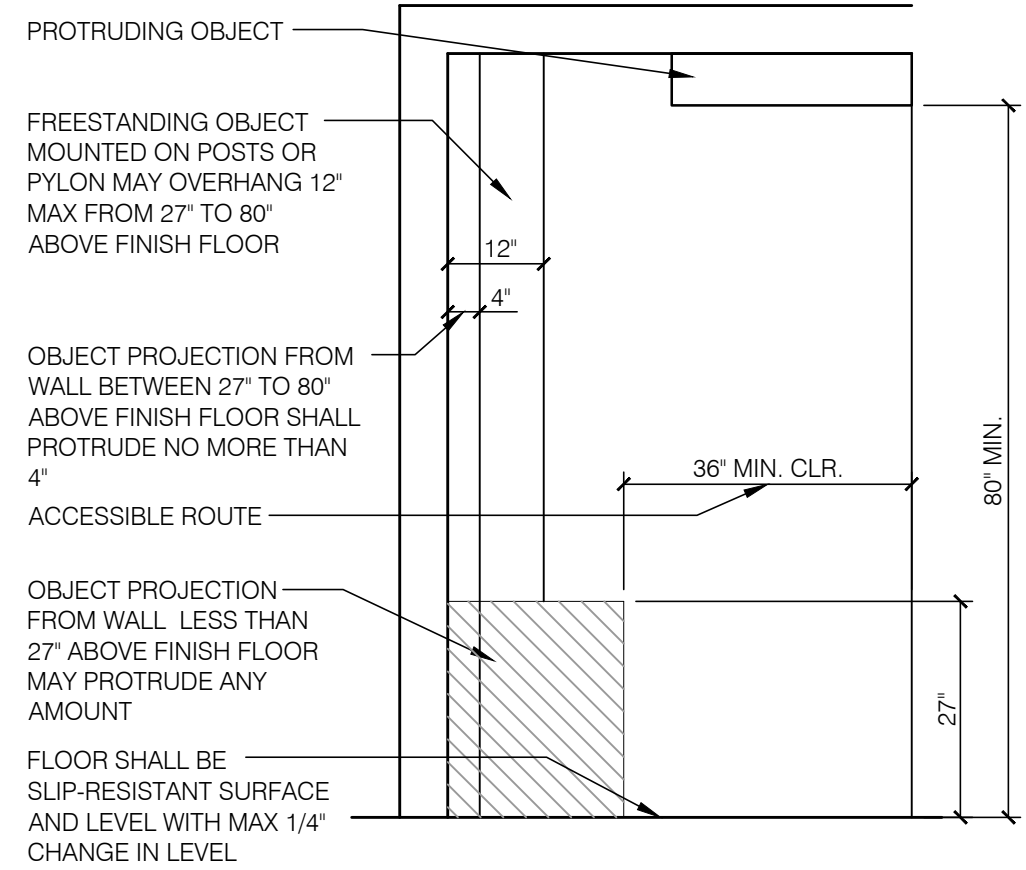
CONDIMENTS

REACH RANGES N.T.S. 14

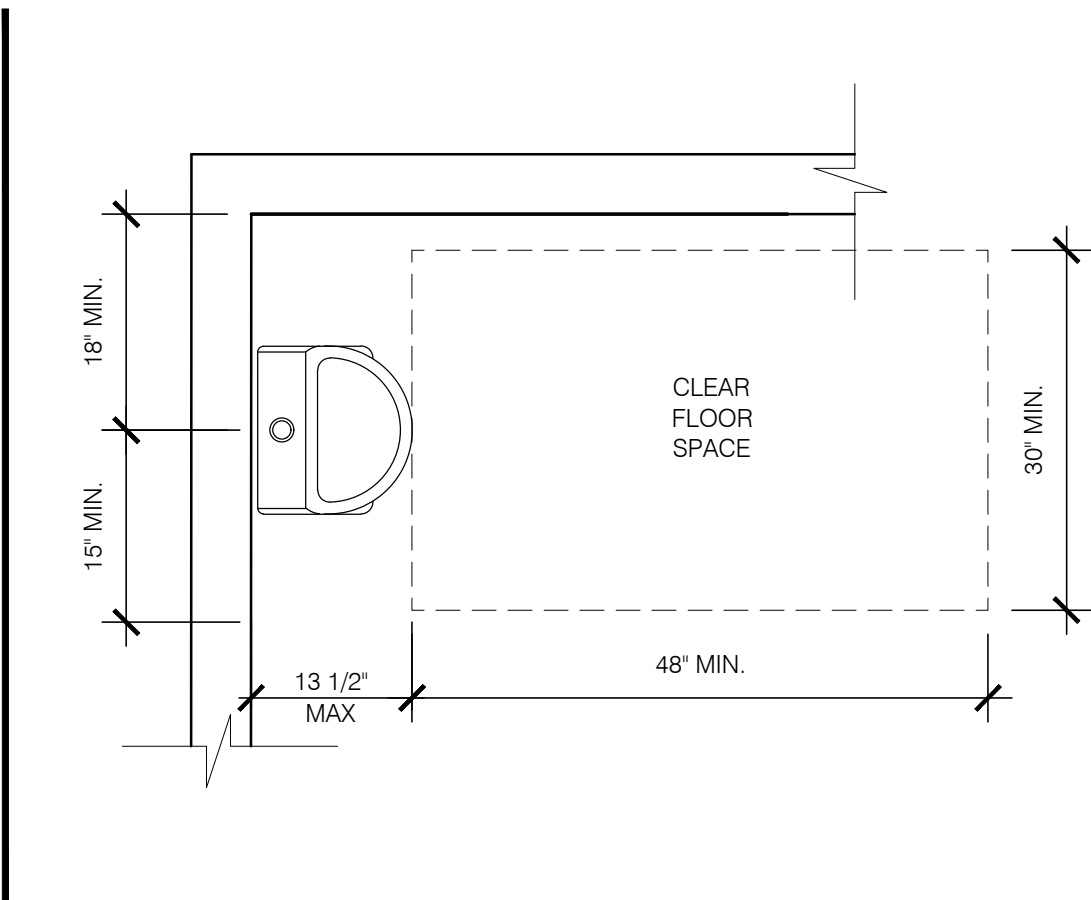
- NOTES:
- TOP OF GRIPPING SURFACE 33" TO 36" MAX TO THE TOP OF THE BAR. SEE NOTES BELOW
  - 12" MINIMUM CLEAR ABOVE GRAB BAR



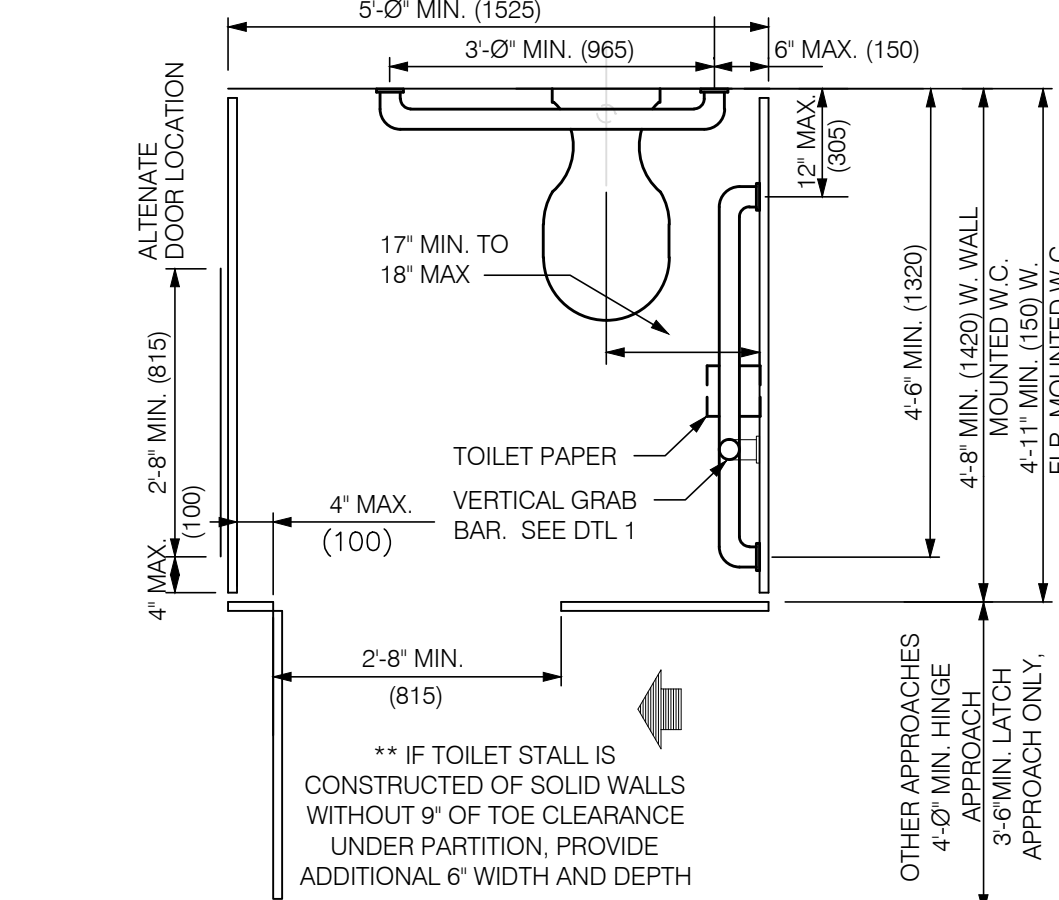
MOUNTING HTS. & CLEARANCES FOR ACCESSIBILITY BY THE DISABLED N.T.S. 1



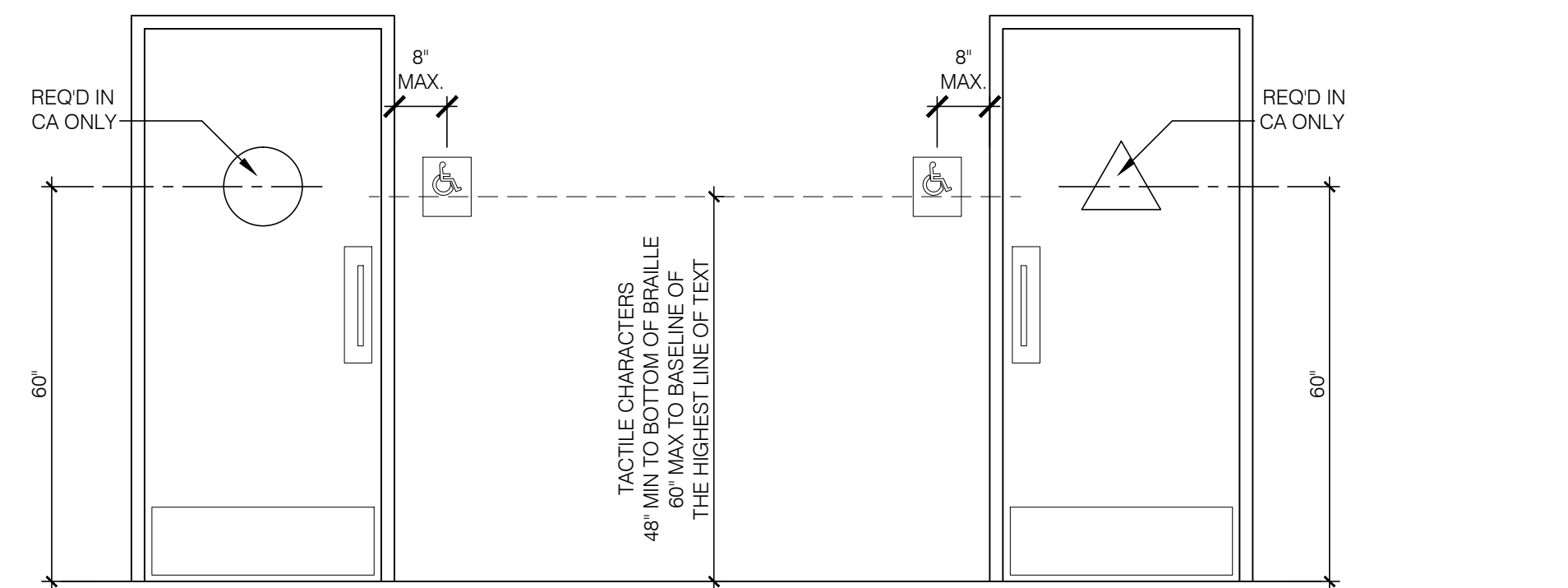
INT. ACCESS. ROUTE CLEARANCES 1/2" = 1'-0" 10



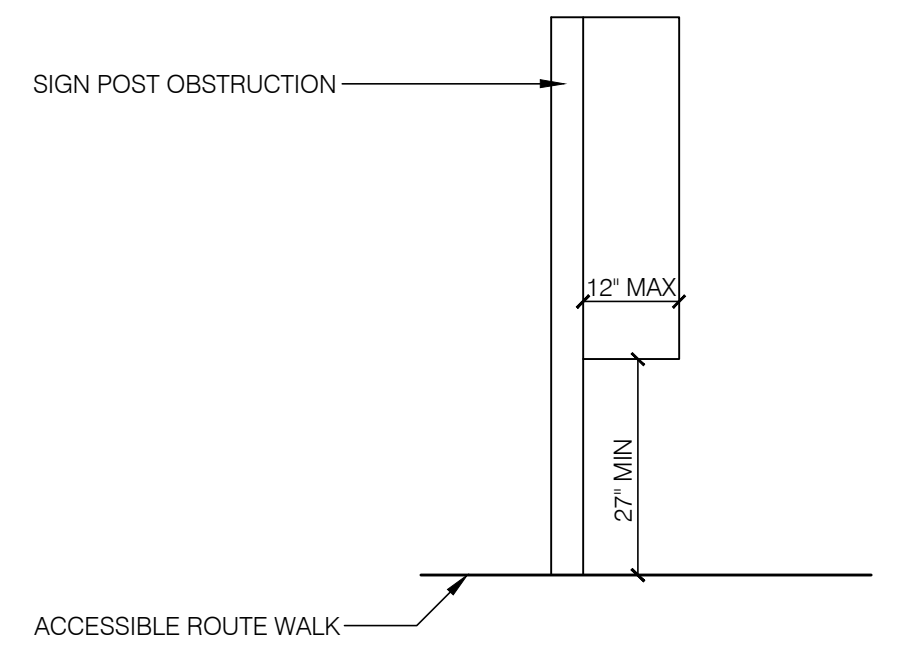
ACCESSIBLE URINAL 3/4" = 1'-0" 6



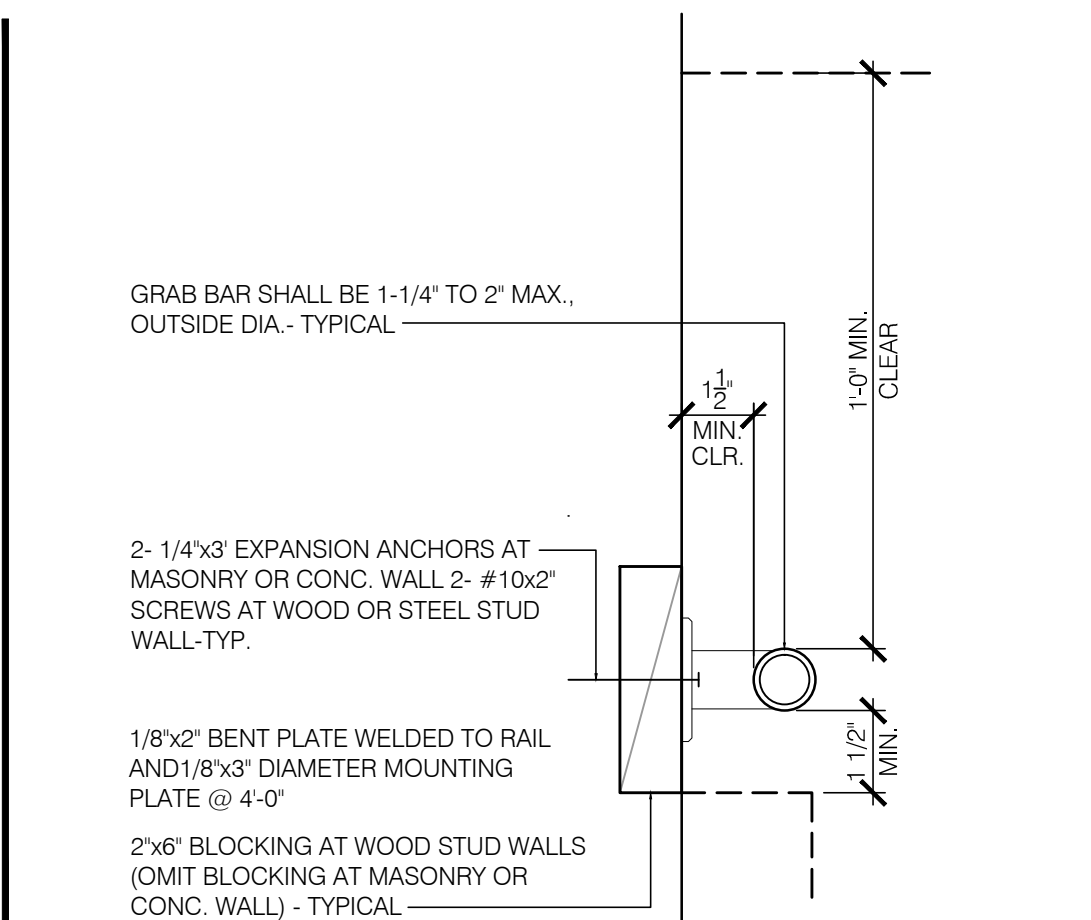
STANDARD TOILET STALL N.T.S. 2



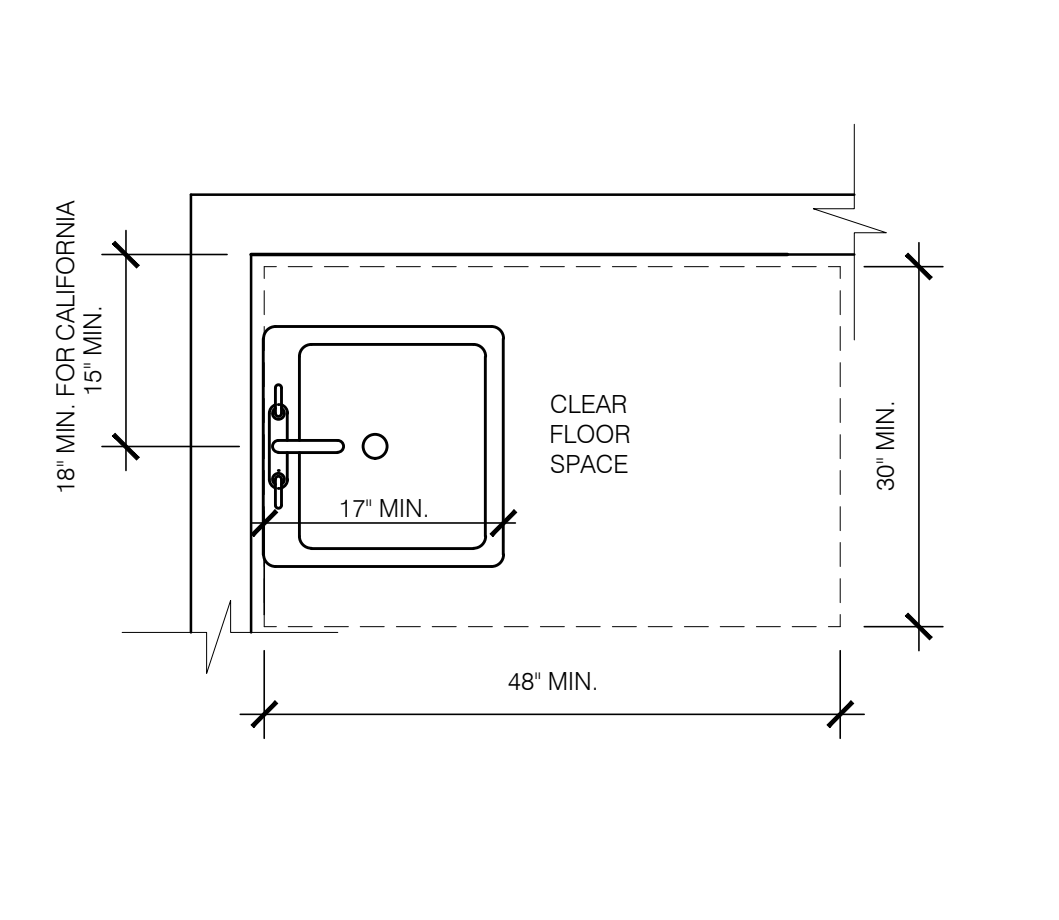
ACCESSIBLE RESTROOM DOORS N.T.S. 15



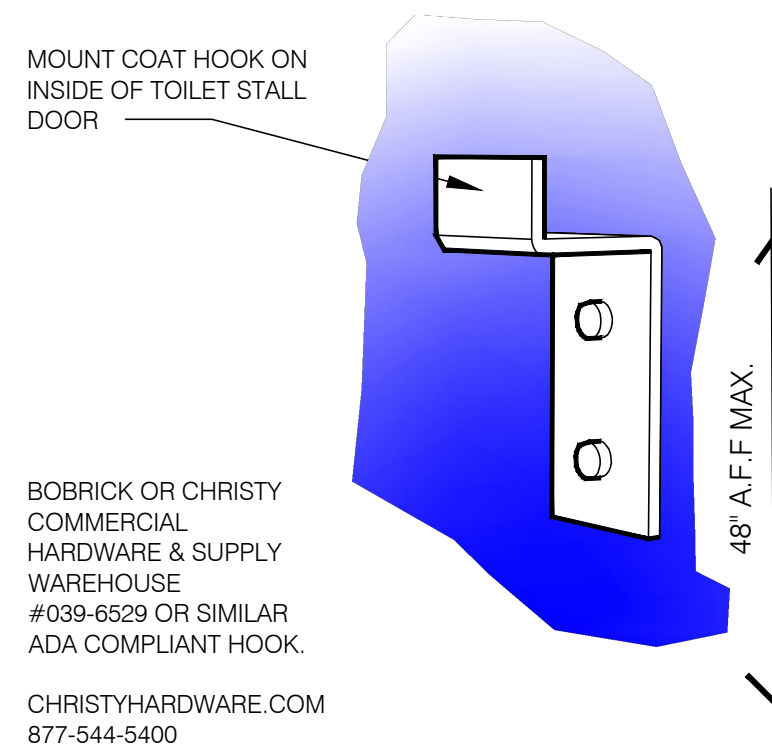
PROTRUDING HAZARDS 1/2" = 1'-0" 11



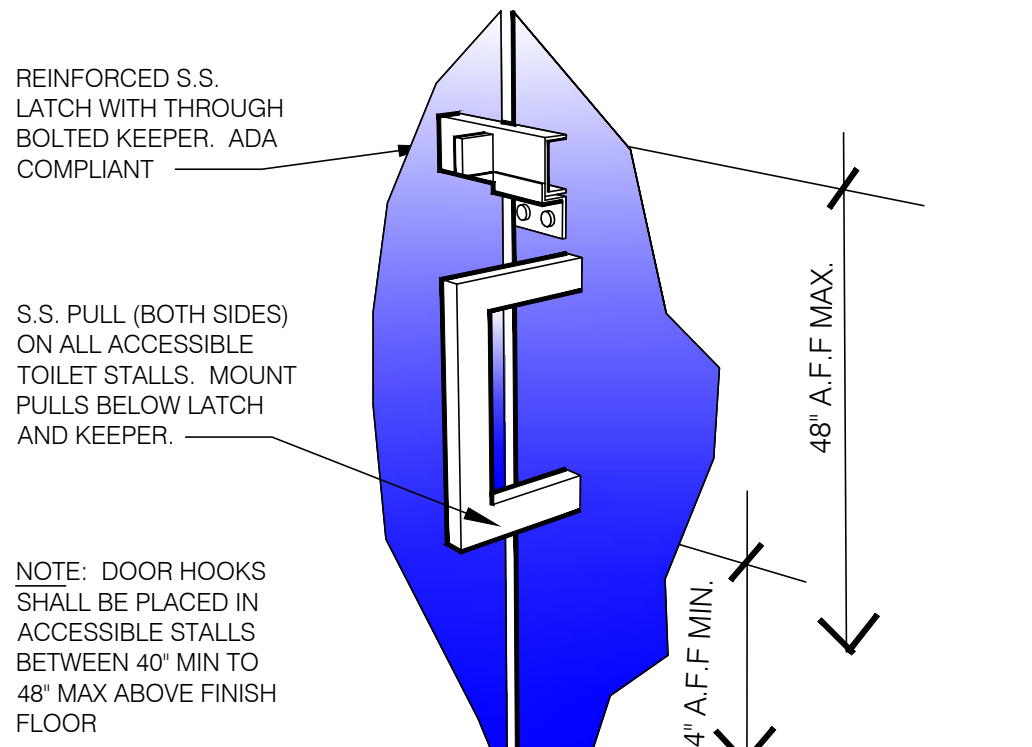
GRAB BAR 3" = 1'-0" 7



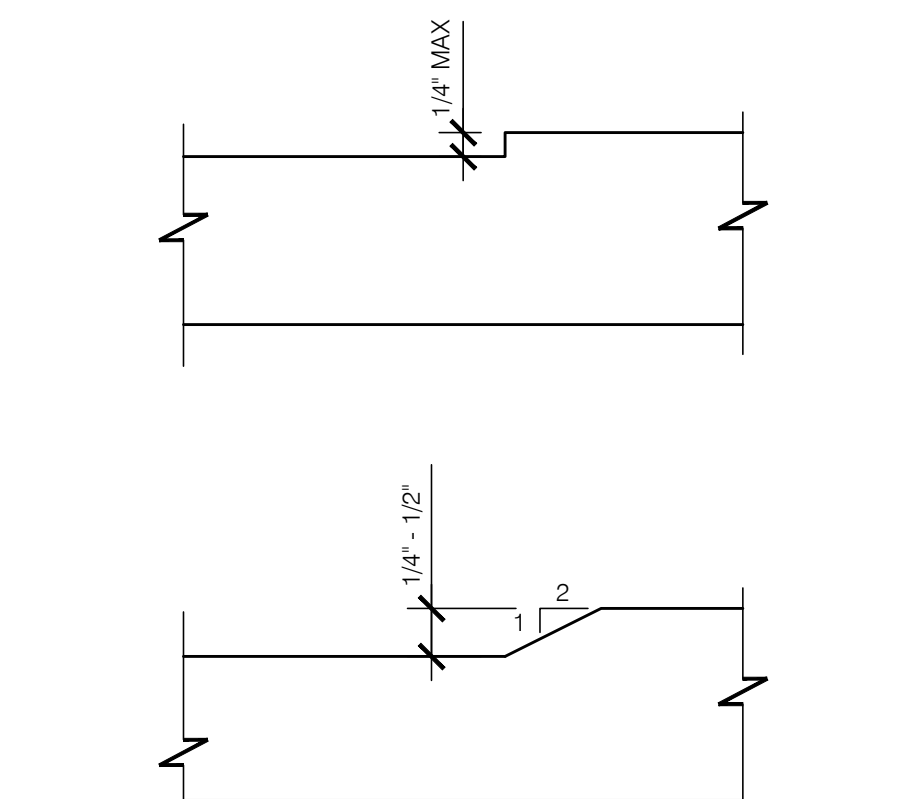
ACCESSIBLE LAVATORY 3/4" = 1'-0" 3



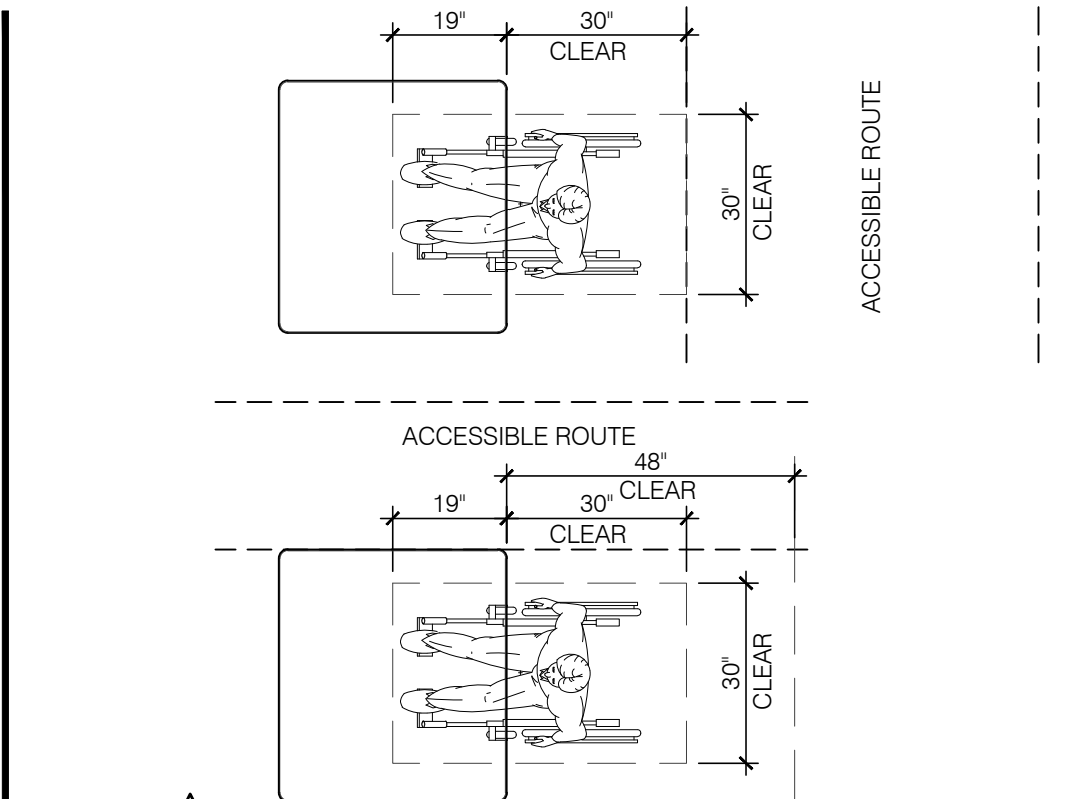
COAT HOOK N.T.S. 20



PARTITION DOOR LATCH @ PULL 16



CHANGES IN LEVEL N.T.S. 12

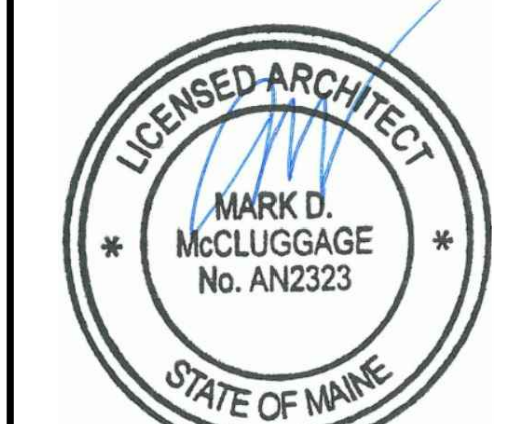


DINING ROOM SEATING CLEARANCES N.T.S. 8

1. INDICATED DIMENSIONS, HEIGHTS, DEPTHS, AREAS AND OTHER GRAPHIC INFORMATION ARE PROVIDED AS MINIMUMS THAT MUST BE MAINTAINED. THESE MINIMUMS ARE BASED UPON YUM STANDARDS AND MAY EXCEED ADA REQUIREMENTS.
2. 60" TURNING SPACE
- PERMITTED OVERLAP LIMITED TO 1 ARM OF T-SHAPED SPACE
  - CAN OVERLAP FIXTURE & DOOR CLEARANCE
  - DOOR CAN SWING INTO TURNING SPACE A MAXIMUM OF 12"
3. RESTROOM, IN GENERAL, DOOR SWING MUST BE OUTSIDE OF THE FIXTURE CLEAR FLOOR SPACE HOWEVER A DOOR CAN SWING INTO FIXTURE CLEAR FLOOR SPACE IF WHEELCHAIR SPACE 30"x48" IS PROVIDED BEYOND THE DOOR SWING.
4. TOILET ROOM MUST ALLOW FOR SIDE TRANSFER - 42" BETWEEN FIXTURES

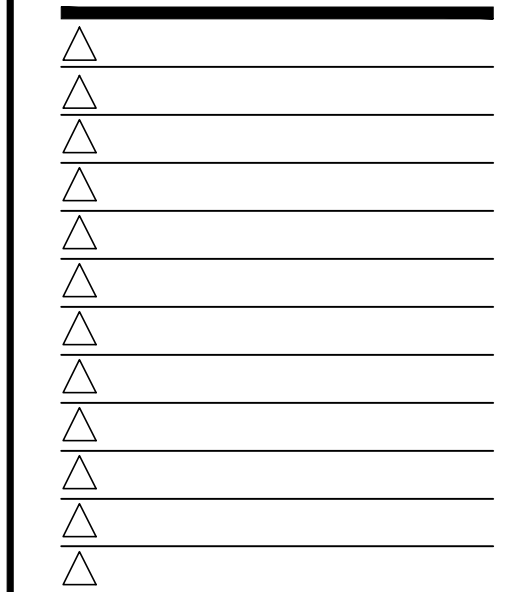
GENERAL NOTES 4

MARK D. MCCLUGGAGE AIA, CCS  
 1925 E. ...  
 TEL: (315) 265-5646  
 FAX: (315) 265-5646  
 MAINE REG. # 0002323



07/14/16

15034.000



CONTRACT DATE: 07.06.2016  
 BUILDING TYPE: CONVERSION  
 PLAN VERSION: FEBRUARY 2015  
 SITE NUMBER: XXX-XXX  
 STORE NUMBER: XXXXX

TACO BELL  
 1363 WASHINGTON AVE.  
 PORTLAND, ME



ACCESSIBILITY REQUIREMENTS  
**ADA 1.0**

PLOT DATE: