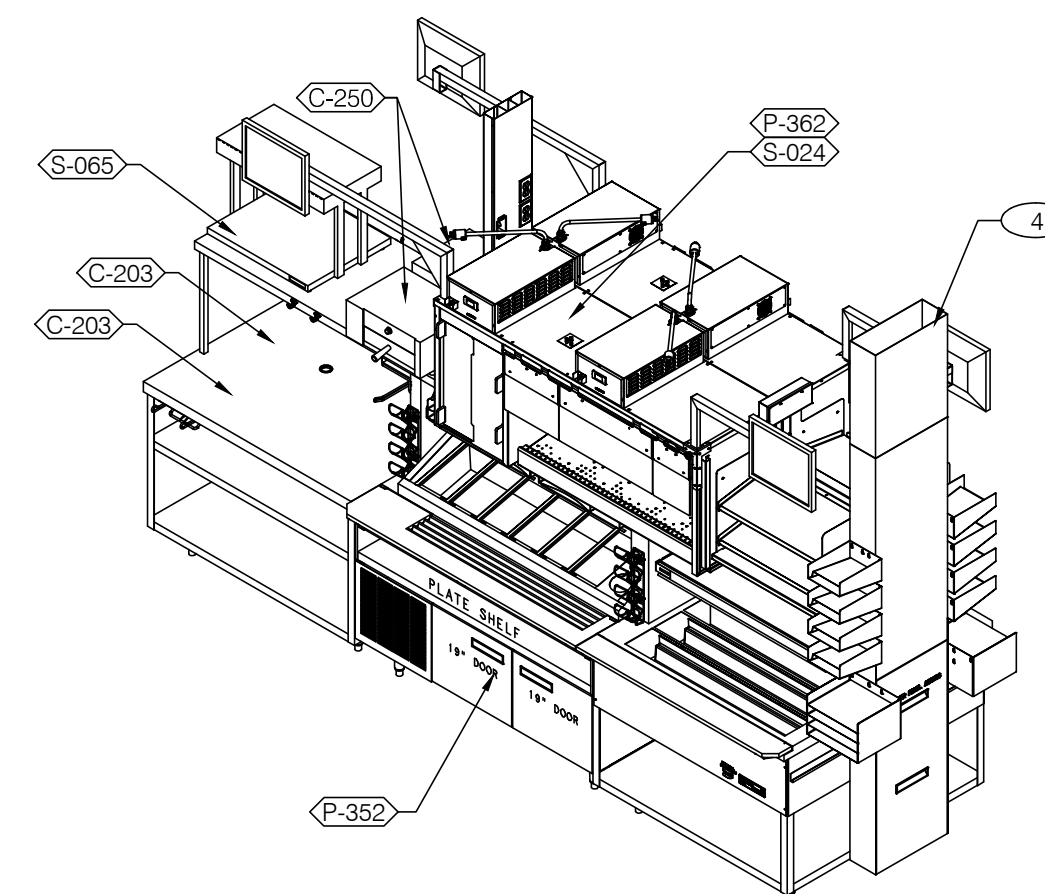
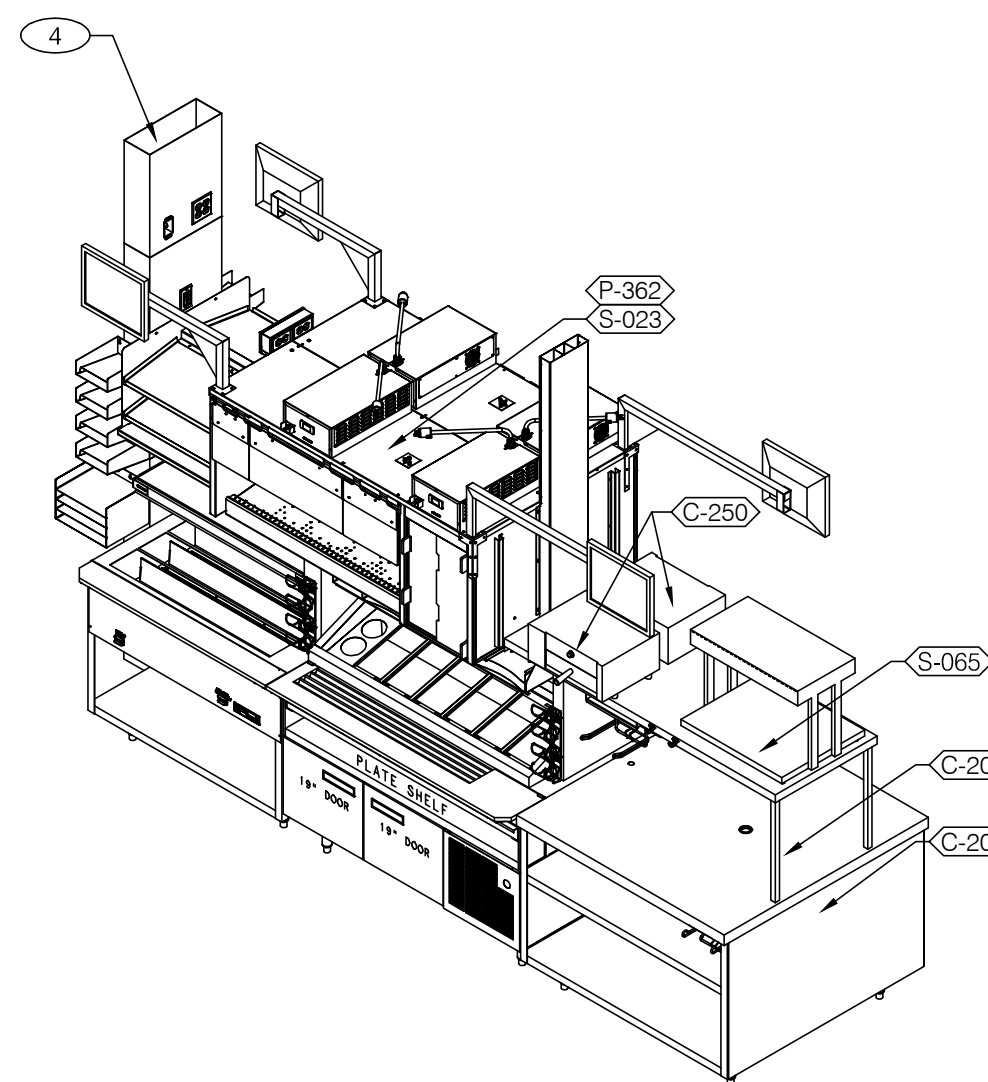


3

SERVING 3/8" = 1'-0"

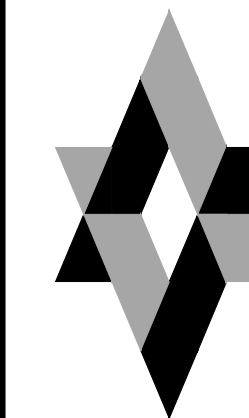


2

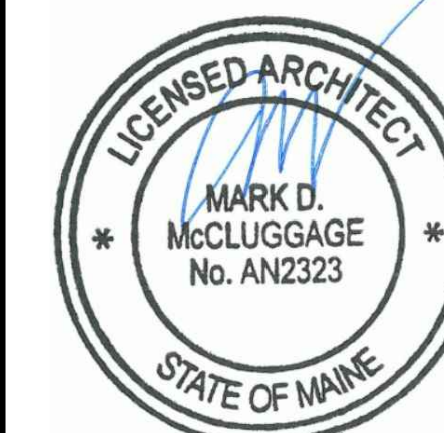


1

GTO DUAL LINE 3/8" = 1'-0"



MARK D. MCCLUGGAGE AIA, CCS
1523 E. Douglas Wichita, KS 67211
www.gimv.com
Fax: (316) 265-5446
MAINE LIC # ARC02323



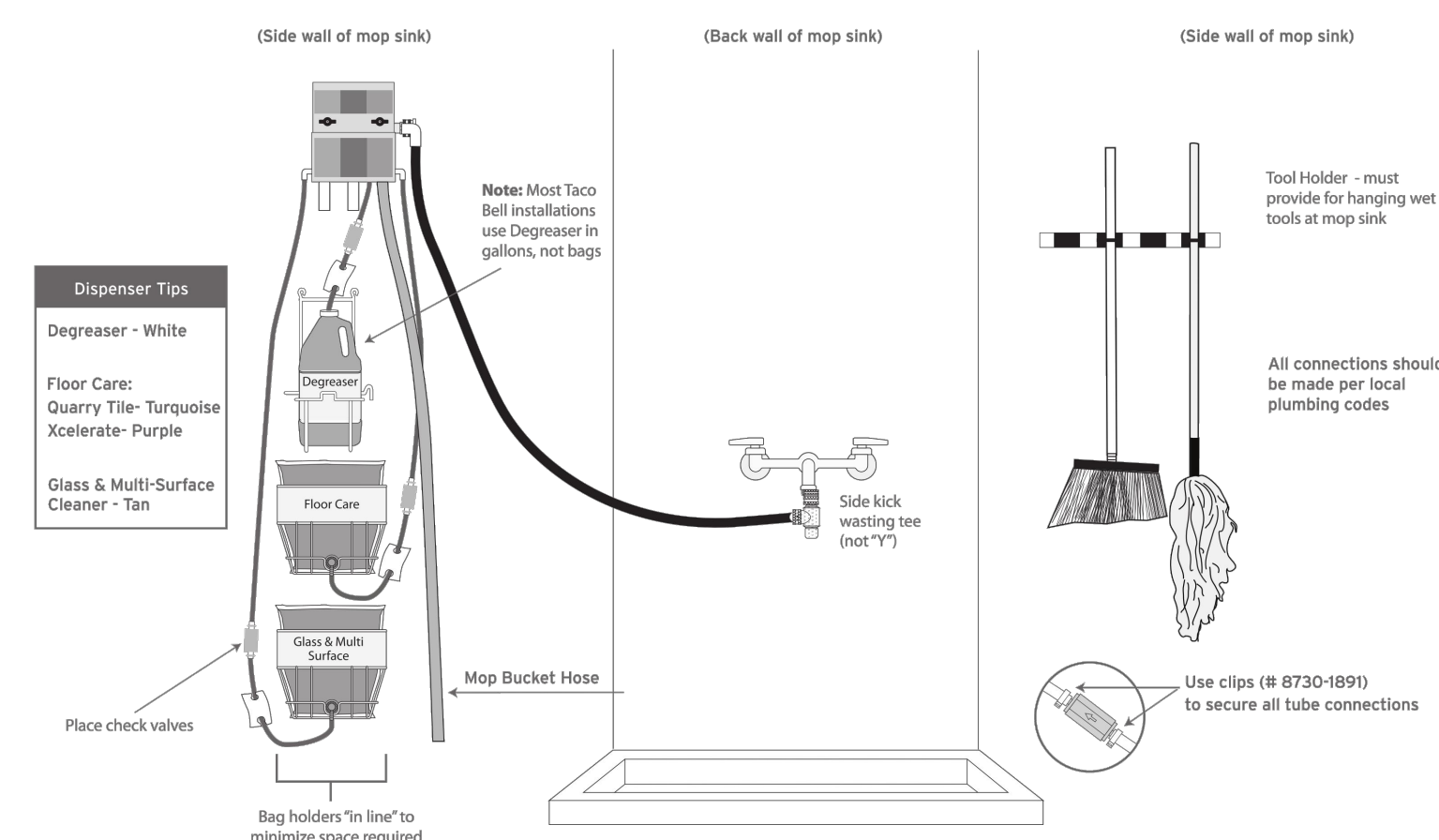
07/14/16

15034.000

- △
- △
- △
- △
- △
- △
- △
- △
- △
- △
- △
- △
- △
- △
- △
- △

NOT USED

Taco Bell Mop Sink Installation



INSTALL IN ACCORDANCE WITH STATE AND LOCAL PLUMBING CODES.
In states or municipalities requiring dedicated or hard-plumbed water lines, the dispensing unit at the 3-compartment sink must be connected to a "TEMPERED" water source. This may require the installation of a mixing/tempering valve.

ECOLAB Key Chemical Company
8300 Capital Drive
Greensboro, NC 27409-9790, USA 800.529.5458

©2012 Key Chemical Company. All Rights Reserved. 058-44480/800007/012

- 1 SS CORNER / END WALL CHANNEL GUARD, FULL HEIGHT. SEE 19/A6.3.
- 2 NOT USED.
- 3 HOLD-UP BUTTON
- 4 UTILITY CHASE.
- 5 ROOF LADDER. SEE 7/A6.0.
- 6 TEMPERATURE SENSOR. SEE MECHANICAL DRAWINGS.
- 7 SAFE ON CEMENT BOARD BASE - INSTALLATION BY BRINKS

CONTRACT DATE: 07.06.2016
BUILDING TYPE: CONVERSION
PLAN VERSION: FEBRUARY 2015
SITE NUMBER: XXX-XXX
STORE NUMBER: XXXXX

TACO BELL

1363 WASHINGTON AVE.
PORTLAND, ME



INTERIOR
ELEVATIONS
KITCHEN

A8.2

PLOT DATE:

NOT USED

MOP SINK INSTALLATION

C

KEY NOTES

A