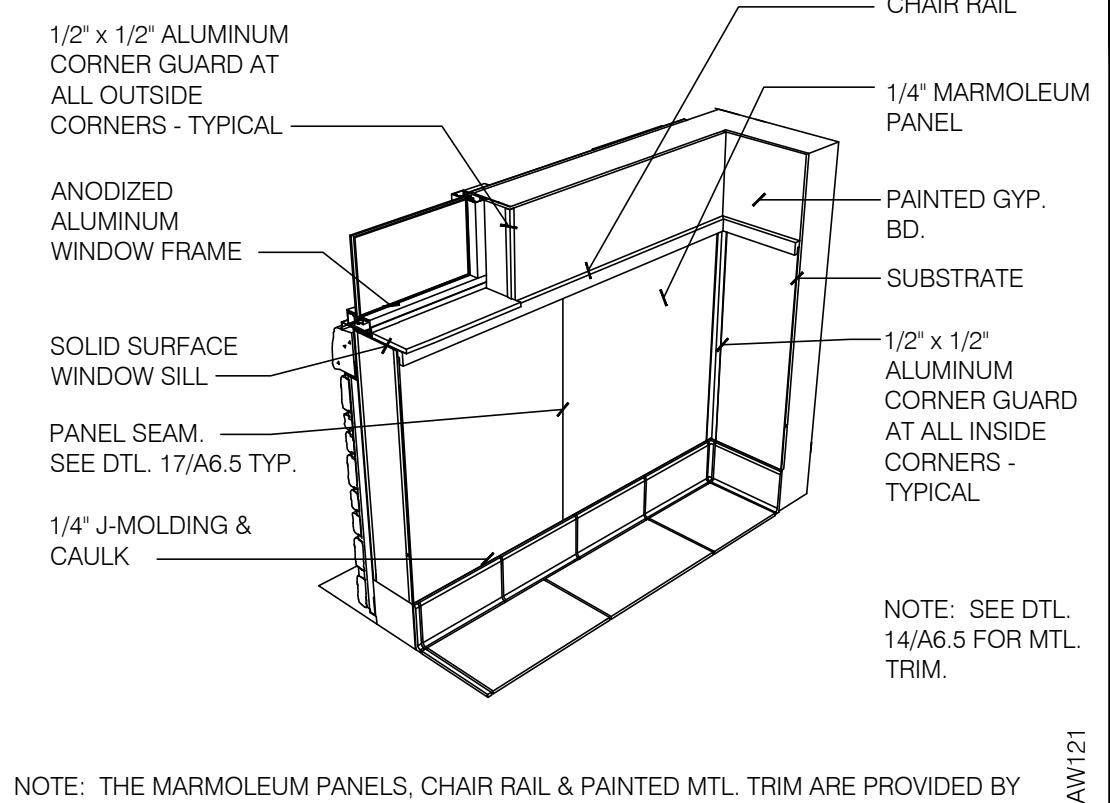
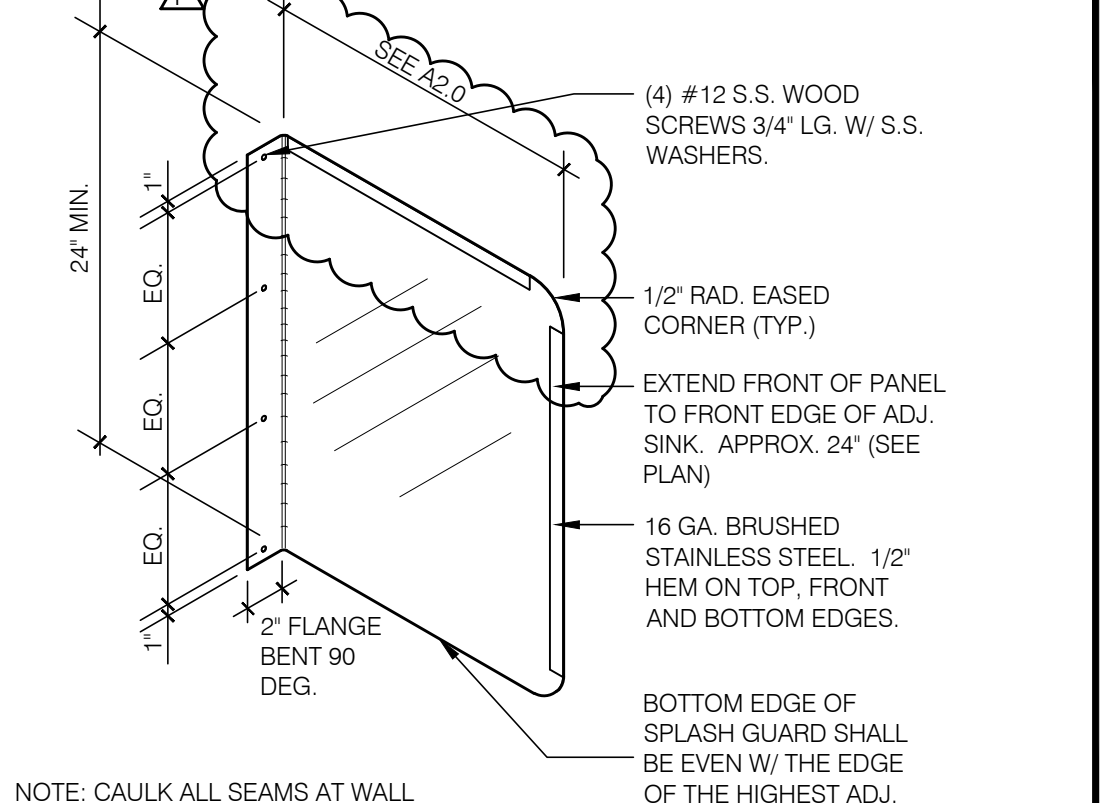


MARMOLEUM TRIM DETAIL N.T.S. **17**



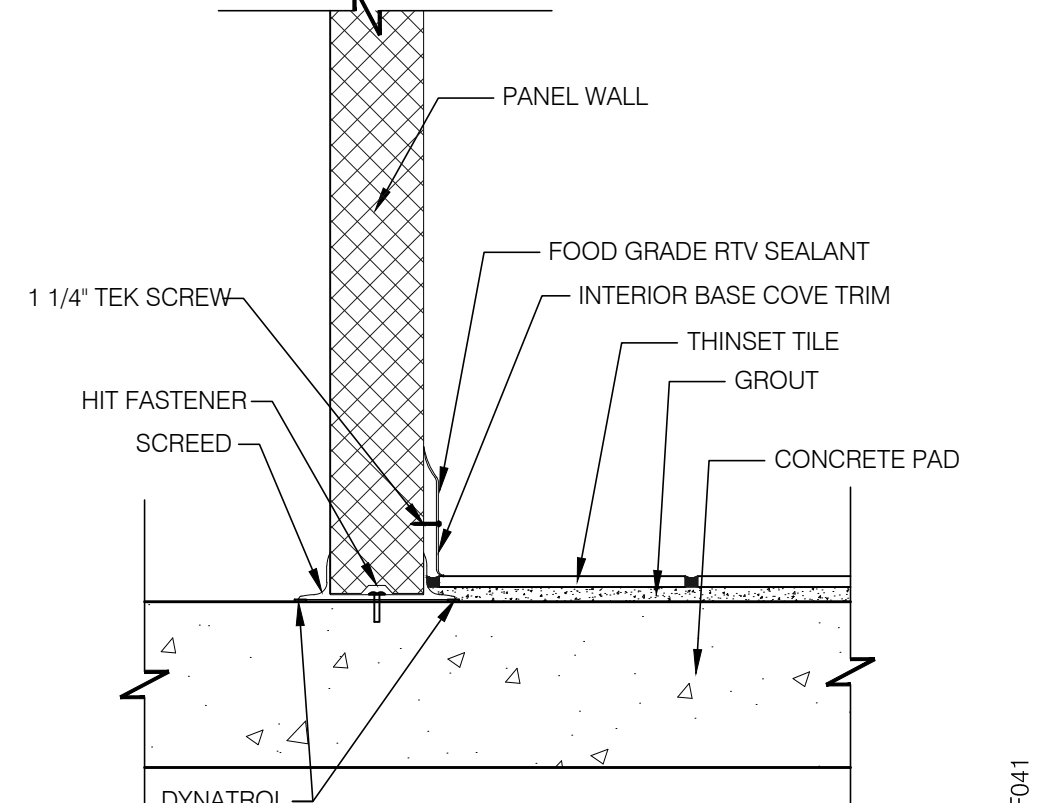
MARMOLEUM ATTACHMENT DETAIL N.T.S. **13**



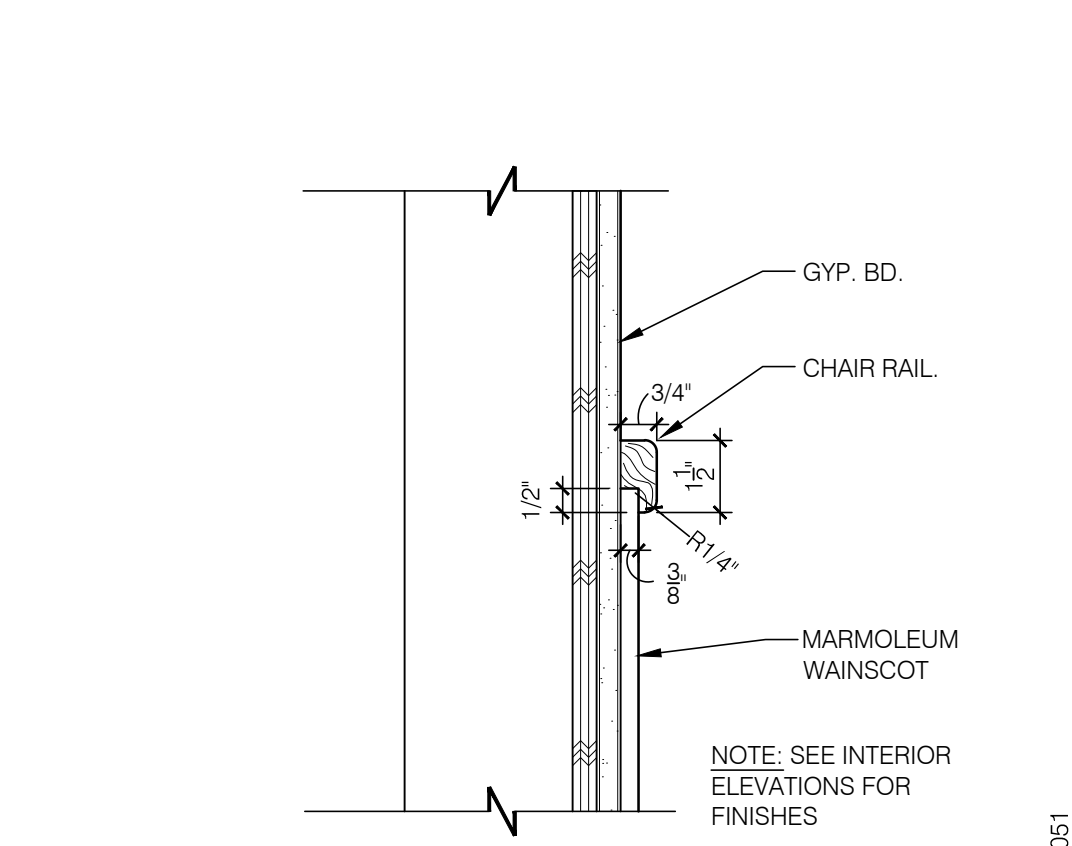
SPLASH GUARD 1' = 1'-0" **9**



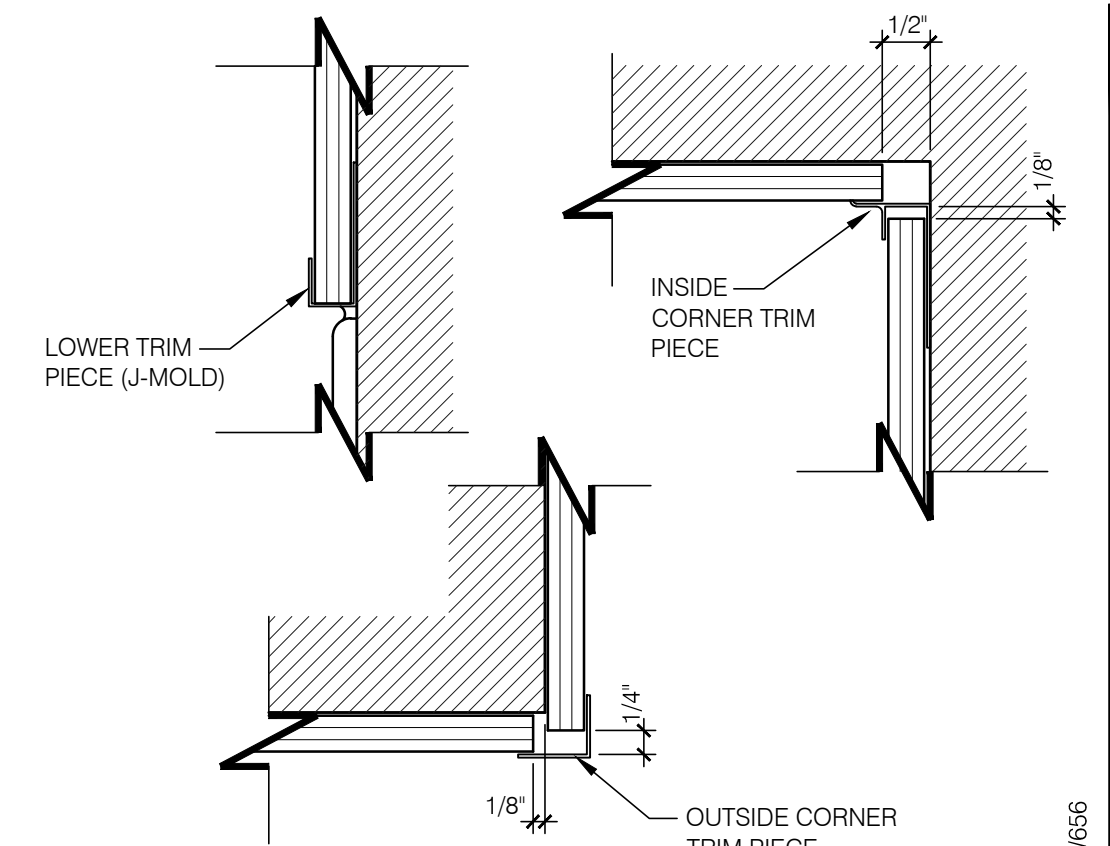
NOT USED N.T.S. **5**



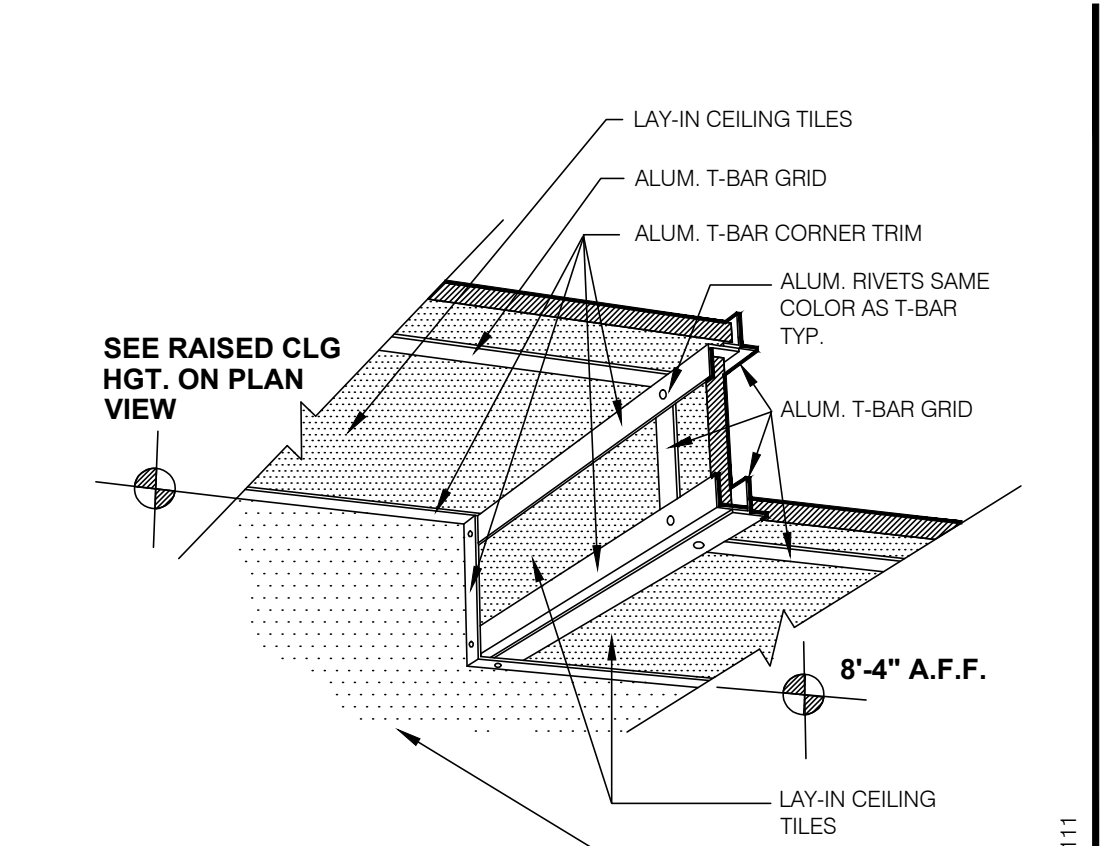
WALK-IN TILE/BASE 1-1/2' = 1'-0" **1**



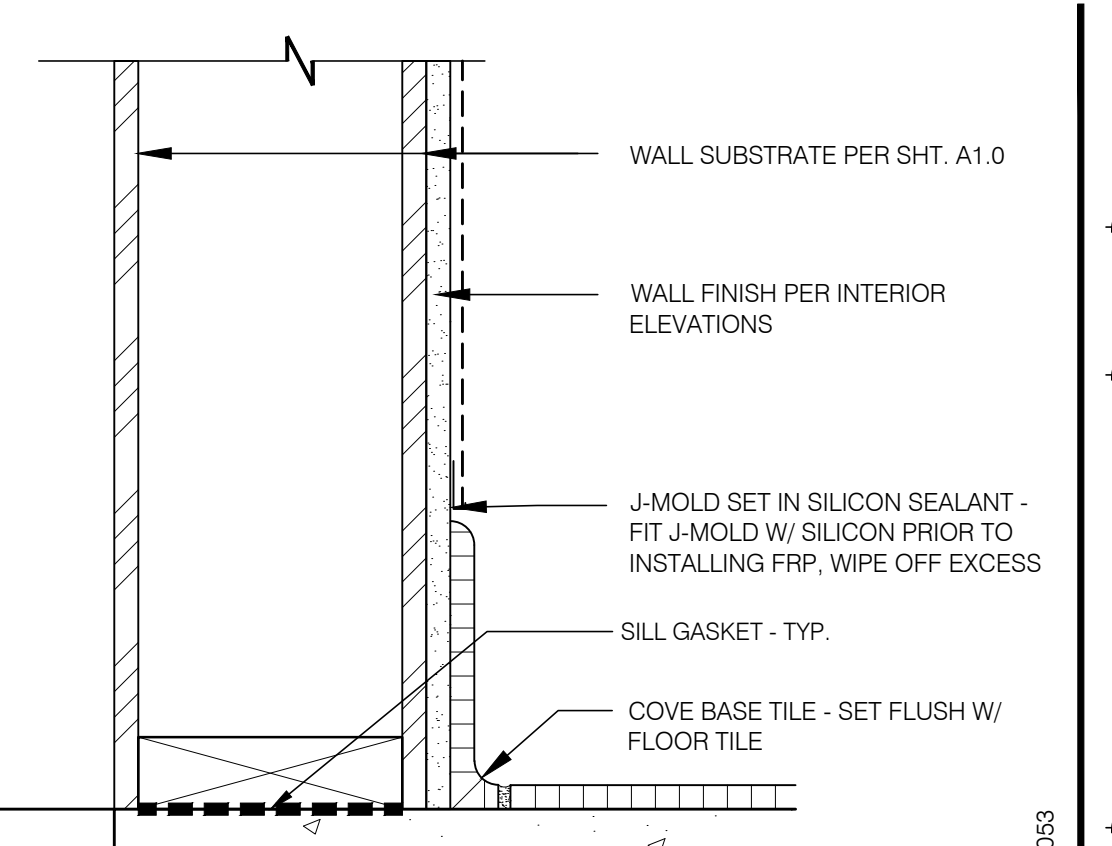
SECTION AT CHAIR RAIL 3' = 1'-0" **18**



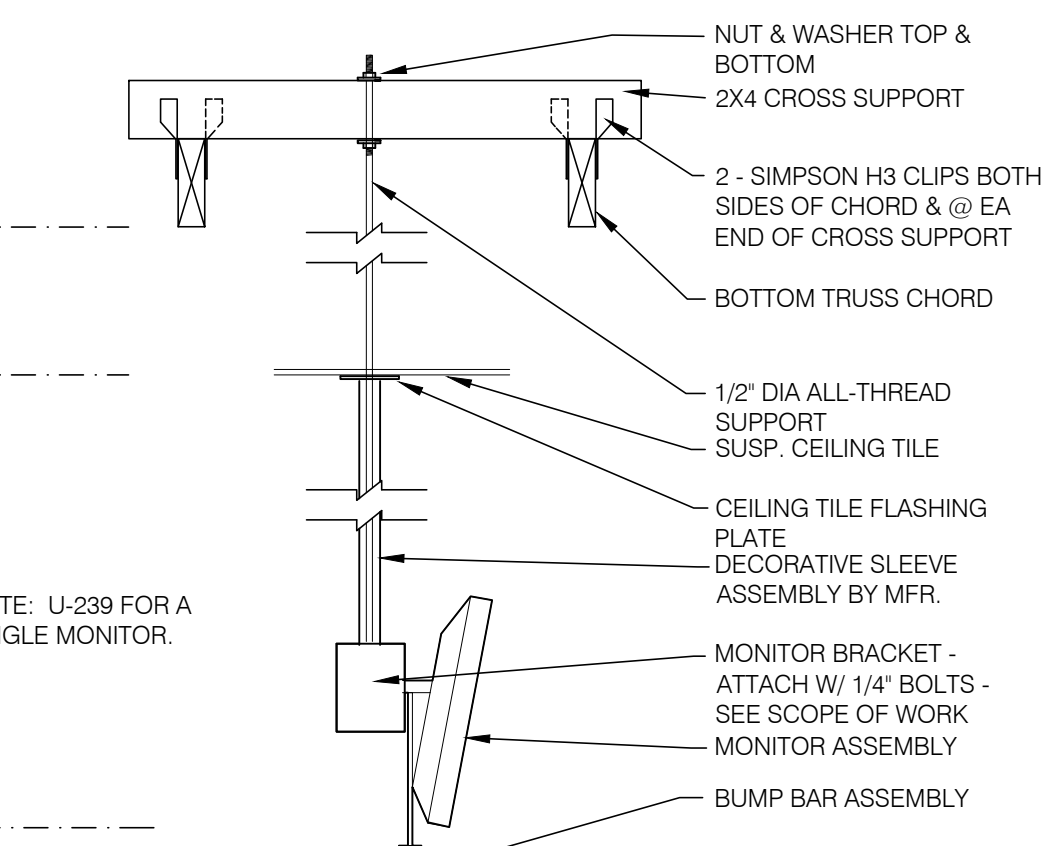
MARMOLEUM TRIM DETAIL 6" = 1'-0" **14**



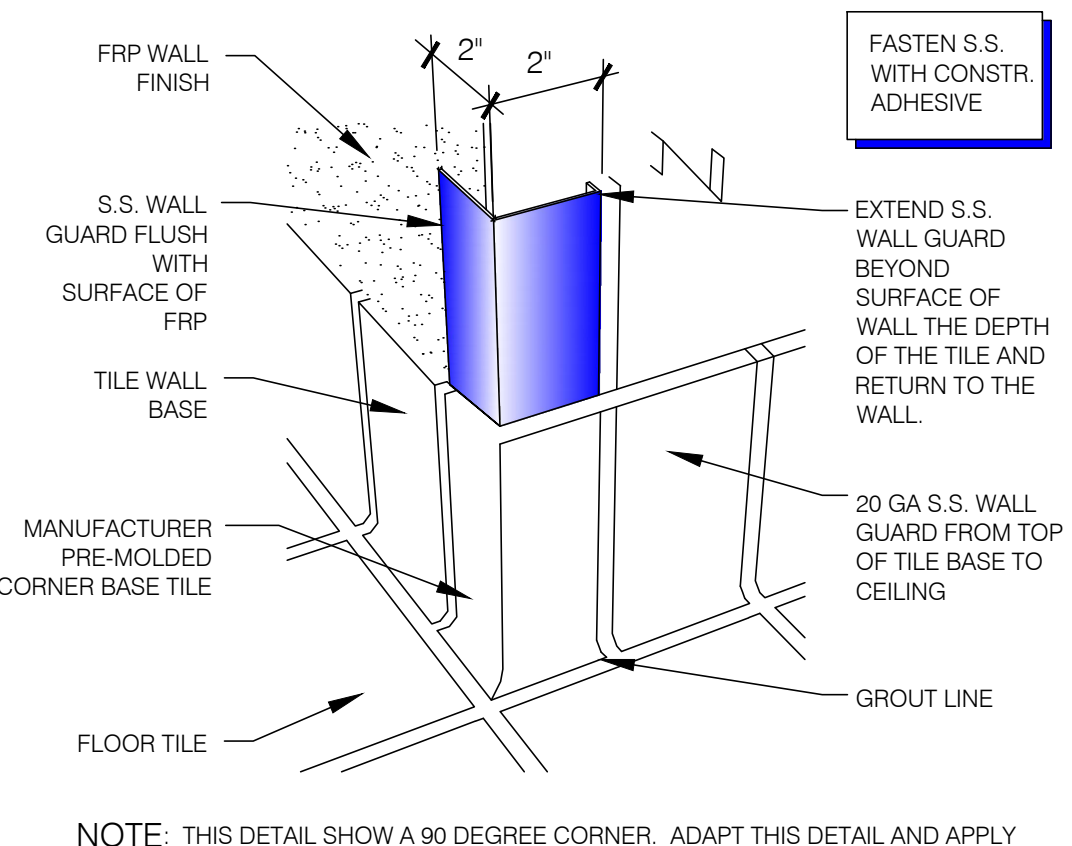
CEILING POCKET N.T.S. **10**



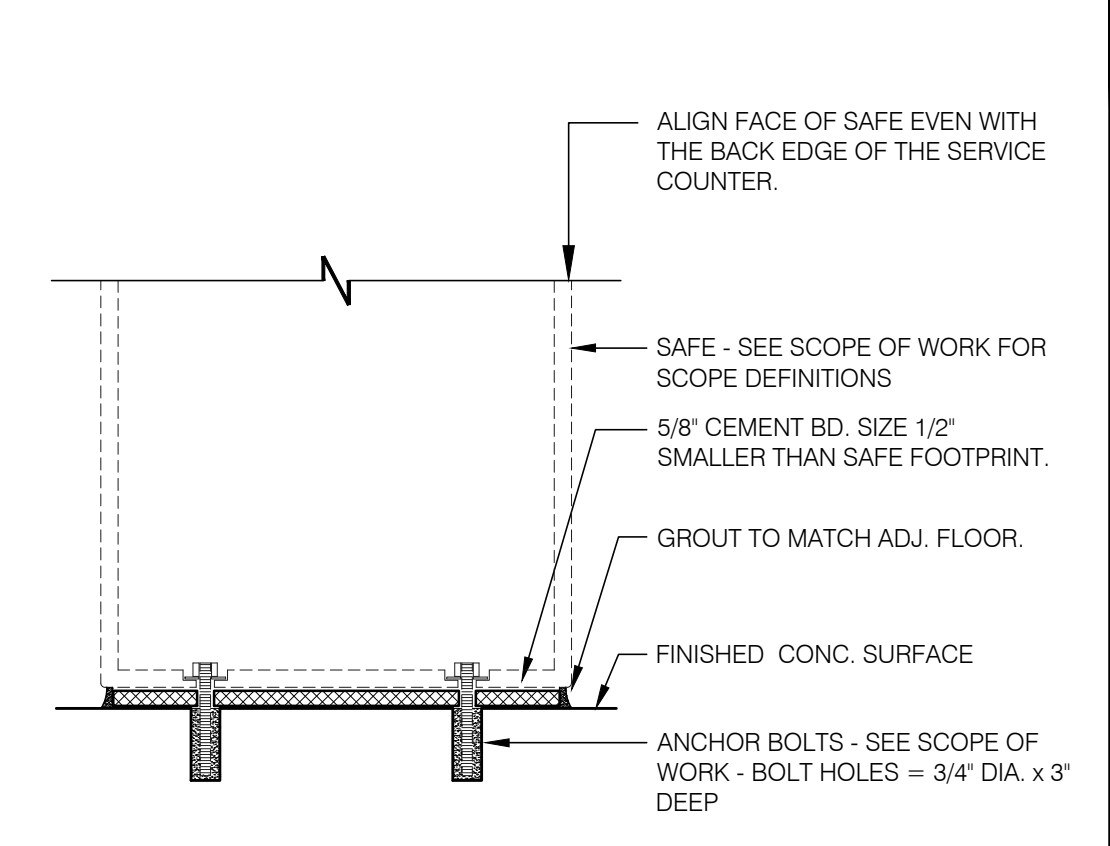
BASE CONDITION @ EXT. WALL 3' = 1'-0" **6**



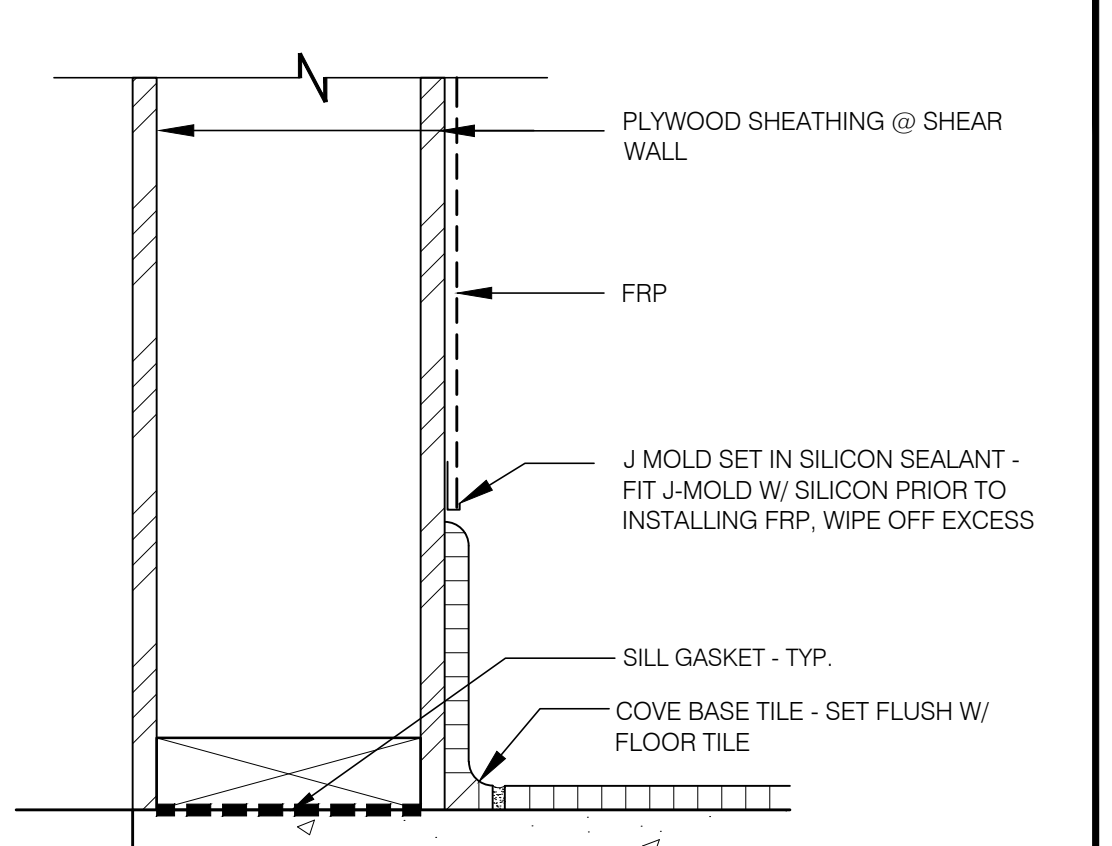
CEILING MOUNT MONITOR BRACKET N.T.S. **2**



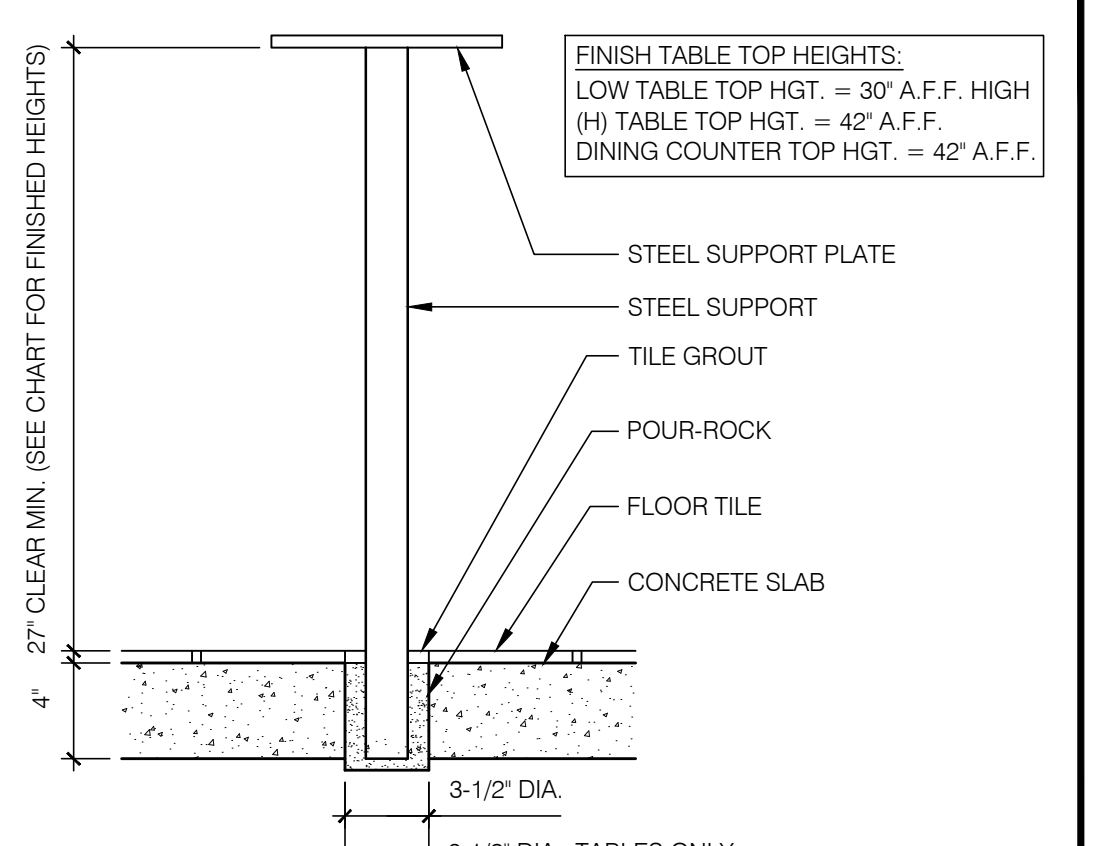
S.S. CORNER & END WALL GUARD N.T.S. **19**



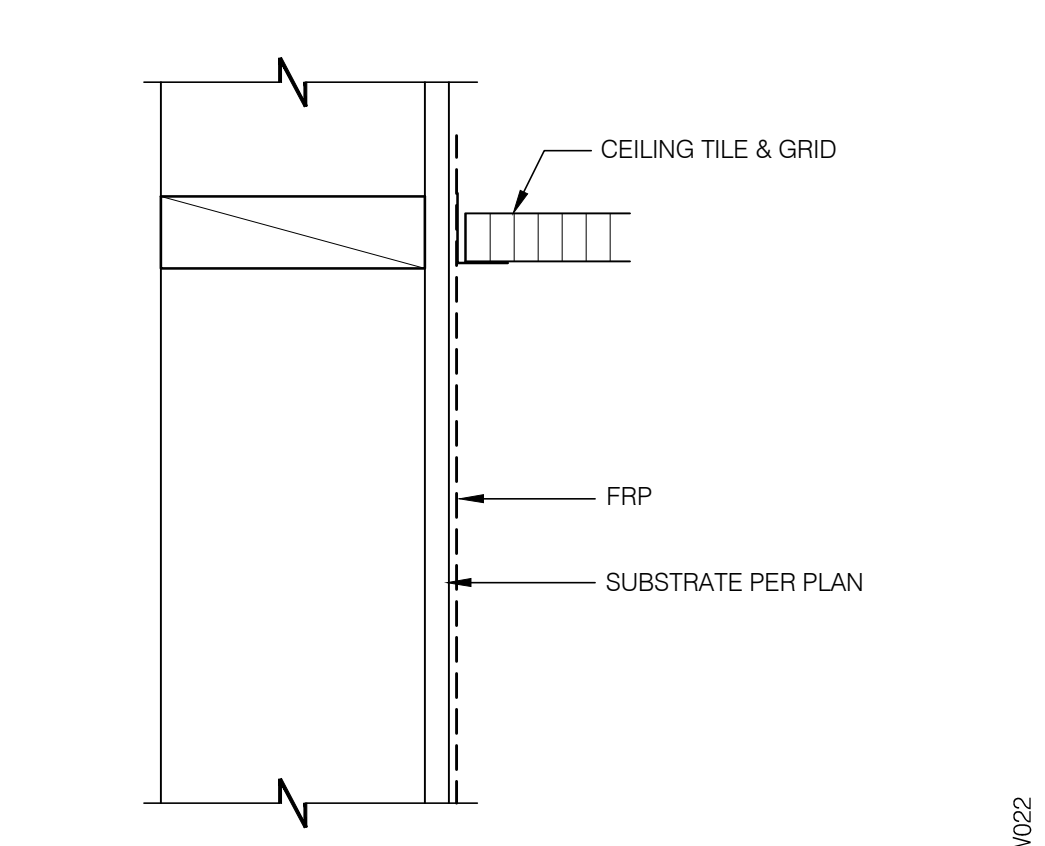
SAFE PEDESTAL 1' = 1'-0" **15**



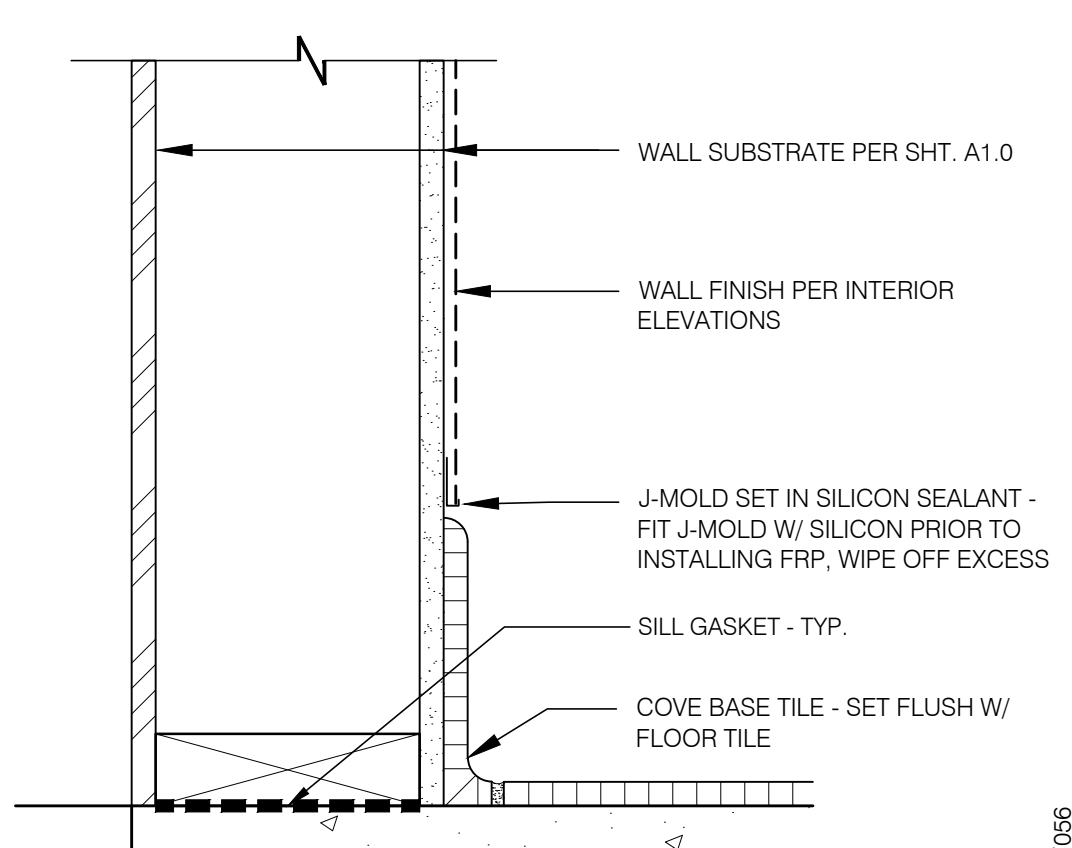
BASE @ KITCHEN EXT. REAR WALL 3' = 1'-0" **11**



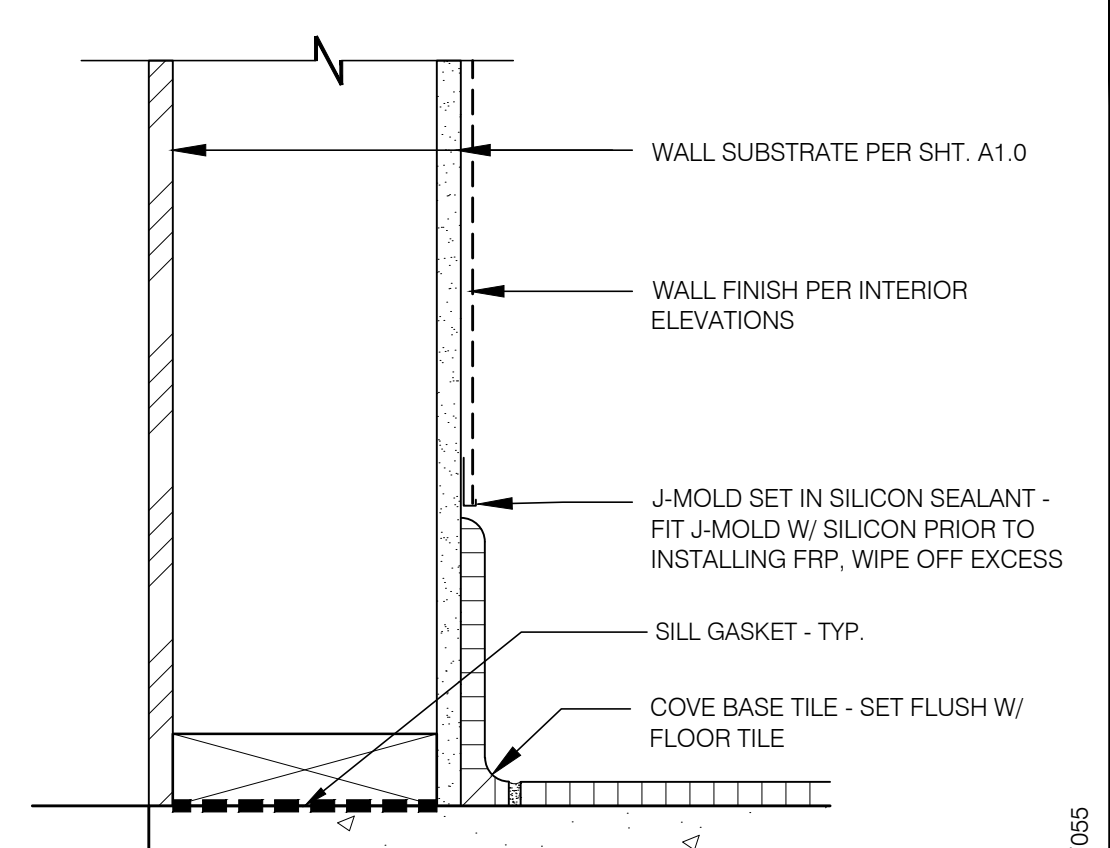
CORE DRILL 1 1/2' = 1'-0" **7**



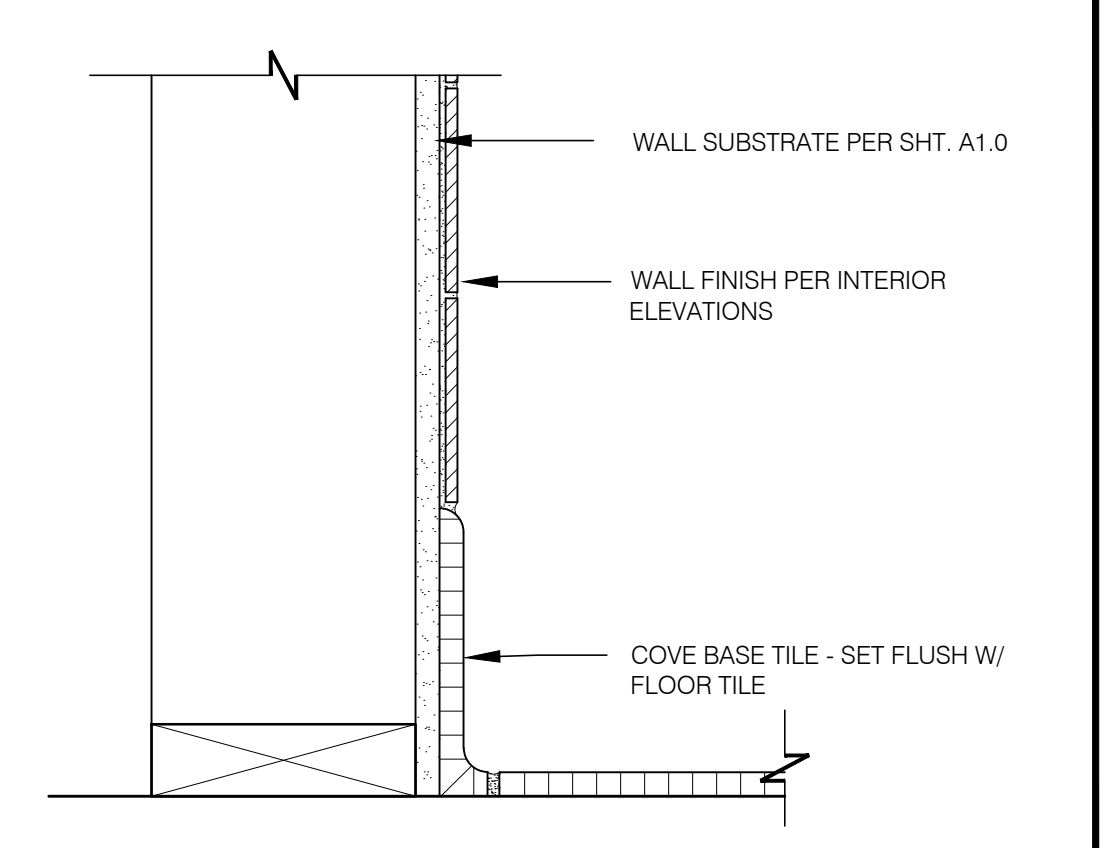
KITCHEN FINISH @ CEILING 3' = 1'-0" **3**



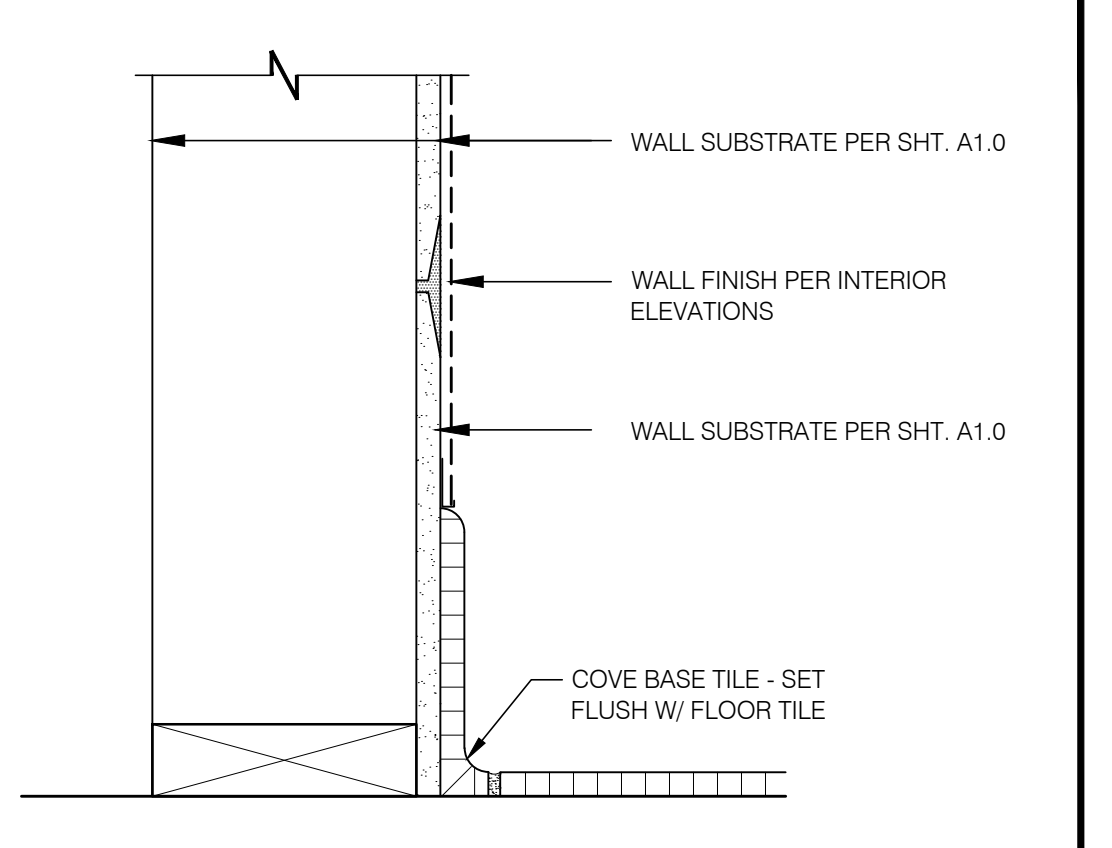
BASE @ KITCHEN EXT. SIDE WALLS 3' = 1'-0" **20**



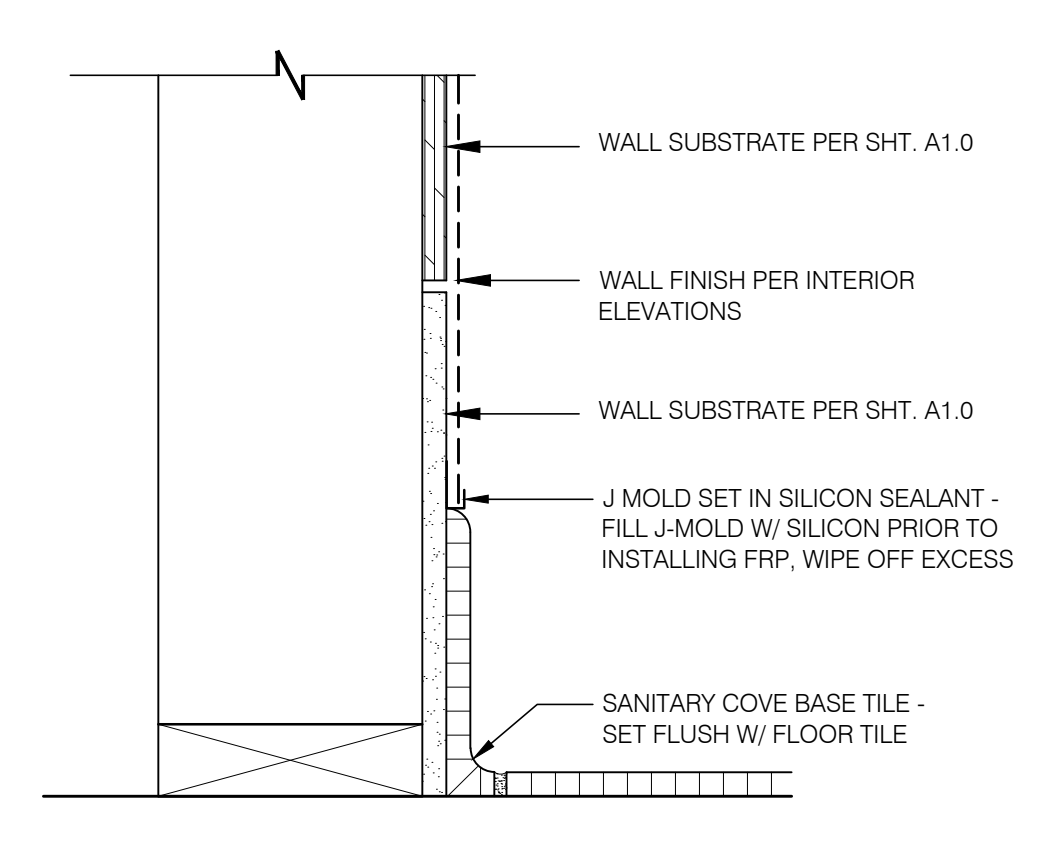
BASE @ DINING EXT. SIDE WALLS 3' = 1'-0" **16**



BASE IN RESTROOM 3' = 1'-0" **12**



BASE @ DINING ROOM INT. WALL 3' = 1'-0" **8**



KITCHEN FINISH @ BASE 3' = 1'-0" **4**

MARK D. MCCLUGGAGE AIA, CCS
 1923 E. Douglas Wichita, KS 67211
 Fax: (316) 265-5846
 www.gimv.com
 MAINE LIC. # ARC-2323

LICENSED ARCHITECT
 MARK D. MCCLUGGAGE
 No. AN2323
 STATE OF MAINE

07/14/16

15034.000

CONTRACT DATE: 07.06.2016
 BUILDING TYPE: CONVERSION
 PLAN VERSION: FEBRUARY 2015
 SITE NUMBER: XXX-XXX
 STORE NUMBER: XXXXX

TACO BELL
 1363 WASHINGTON AVE.
 PORTLAND, ME

TACO BELL
CONVERSION
 LIVE MAS - MEDIUM40

FINISH DETAILS
A6.3

PLOT DATE: