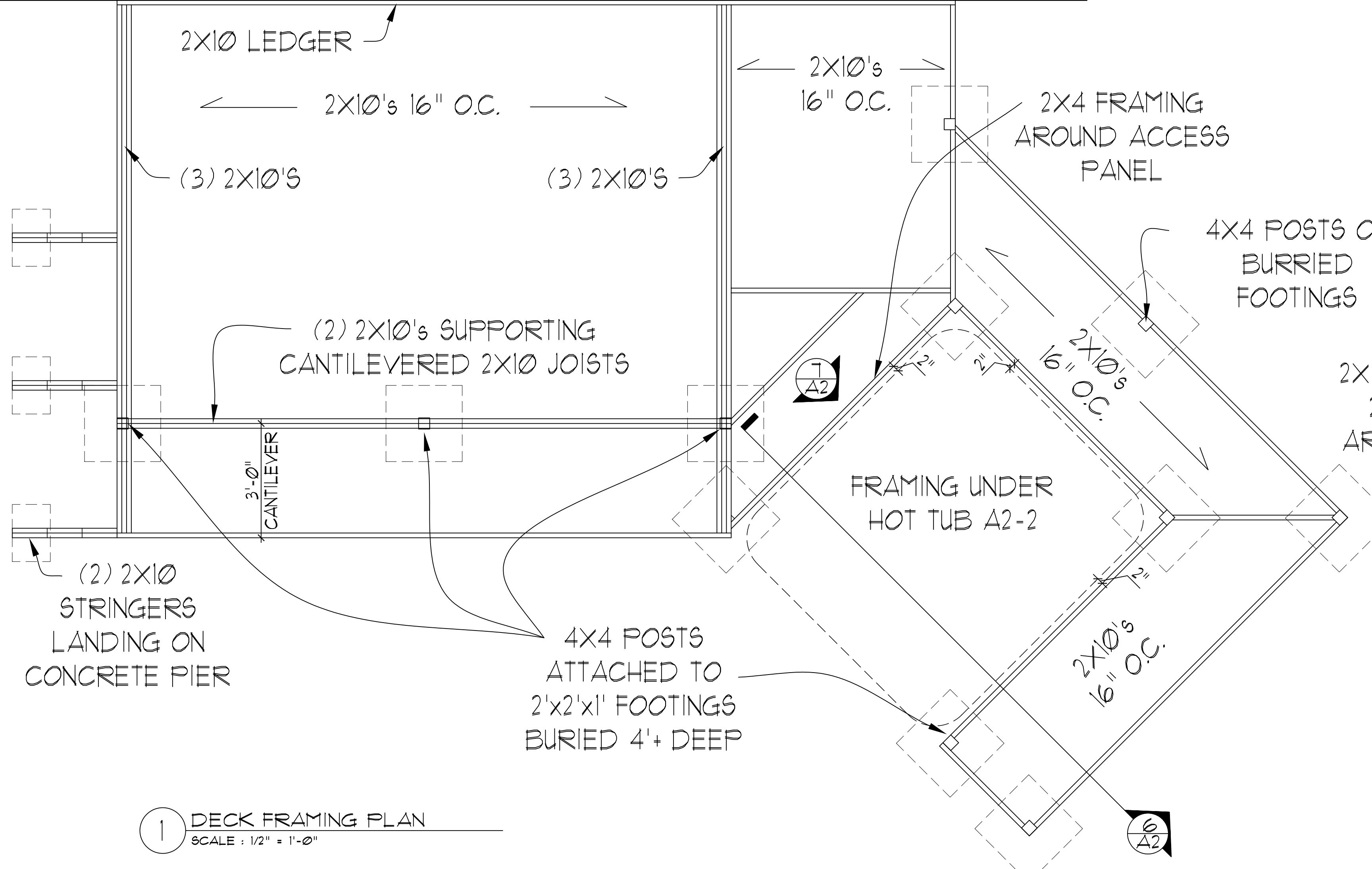
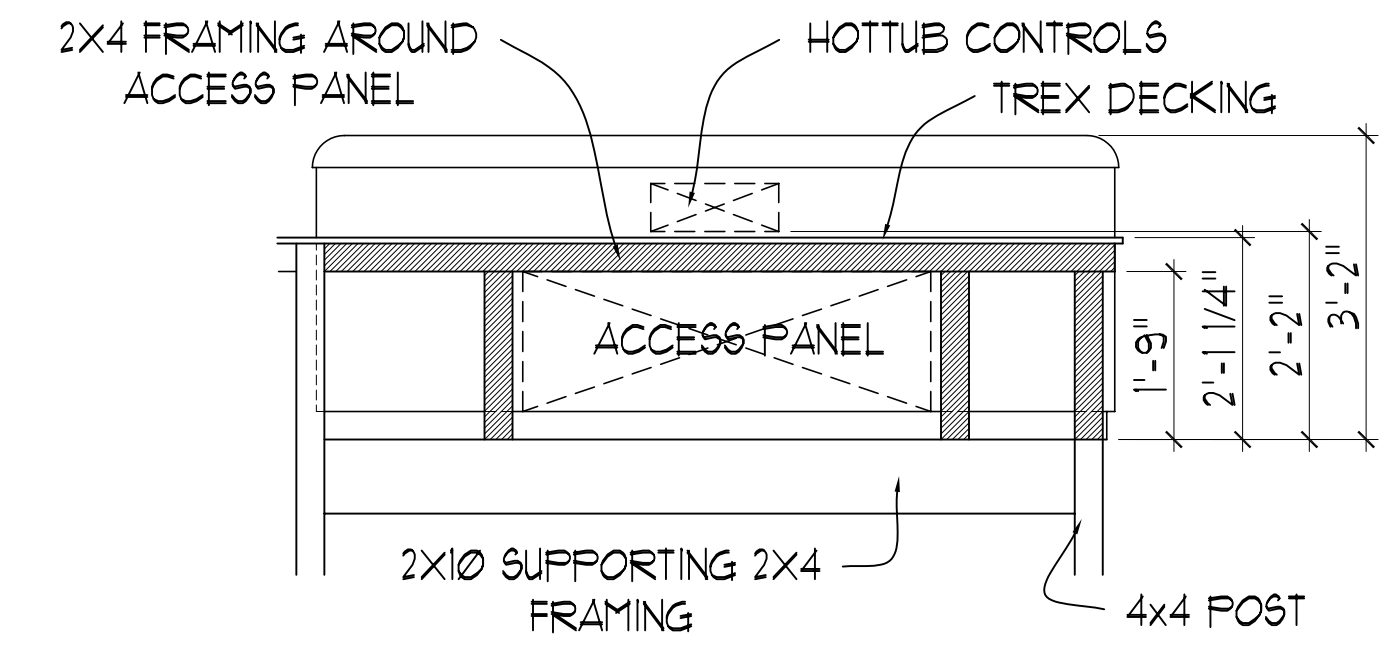


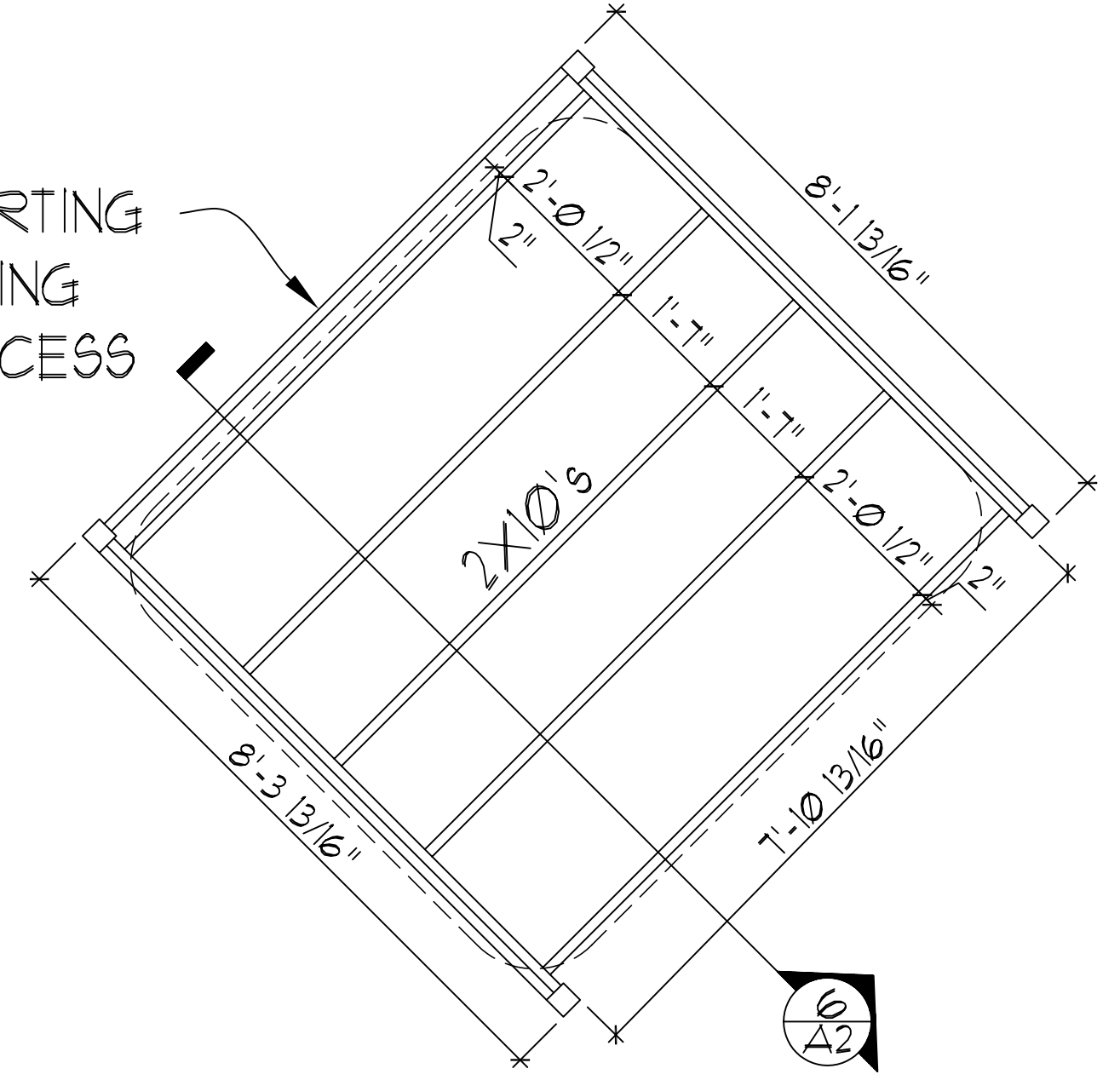
CONCRETE FOUNDATION WALL



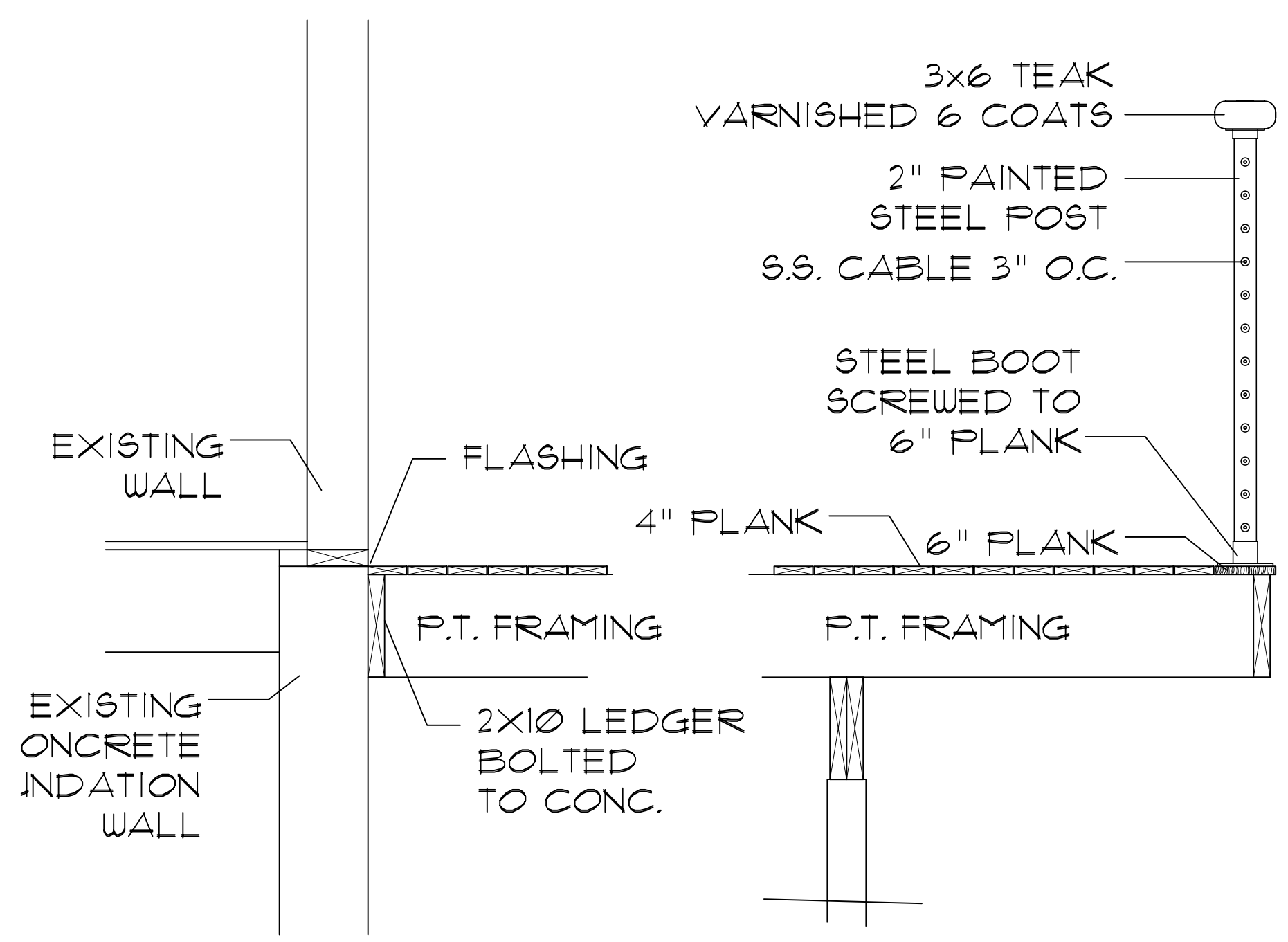
1 DECK FRAMING PLAN
 SCALE: 1/2" = 1'-0"



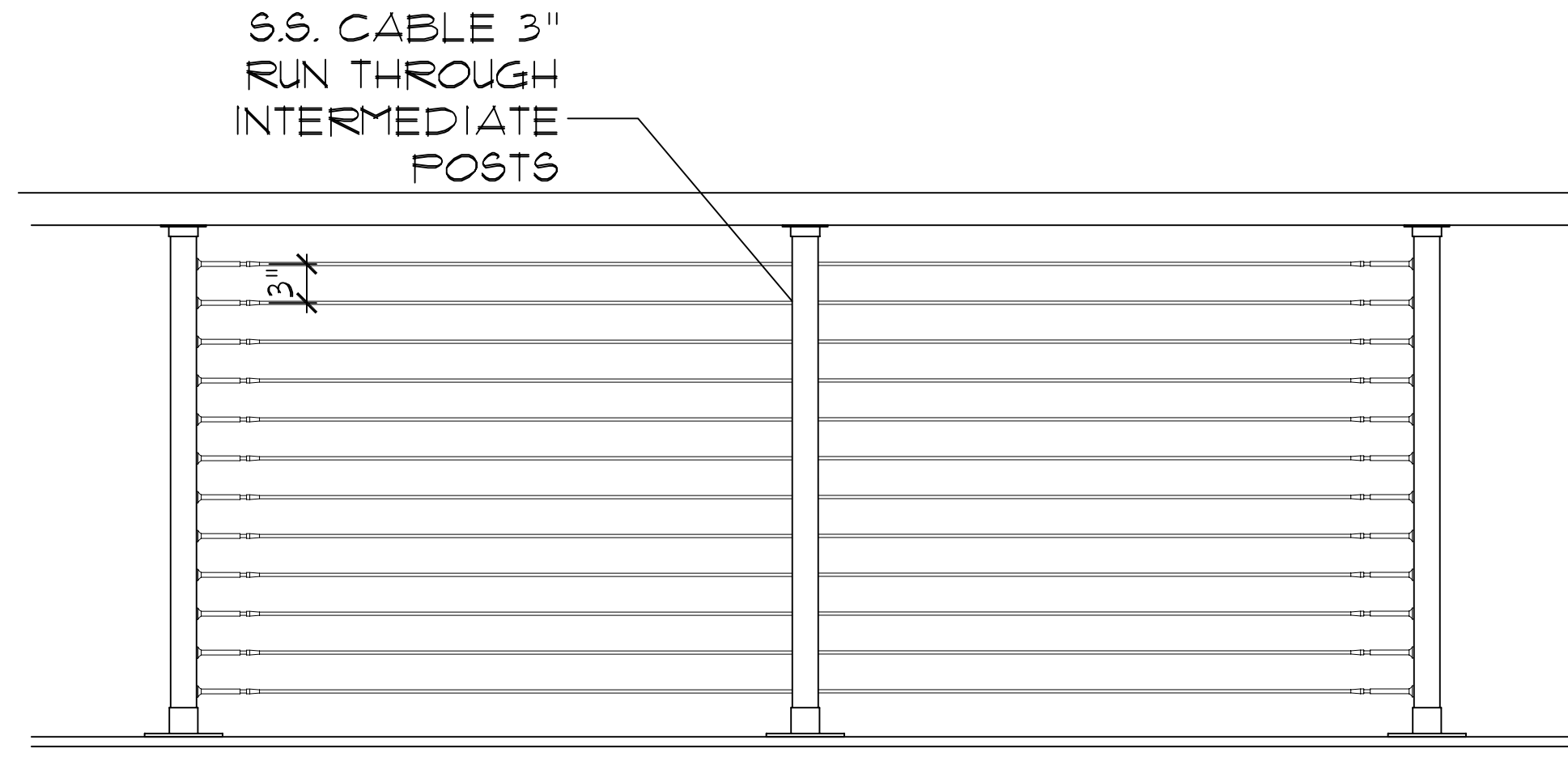
7 2X4 FRAMING AROUND ACCESS PANEL
 SCALE: 1/2" = 1'-0"



2 2X10 FRAMING UNDER HOTTUB
 SCALE: 1/2" = 1'-0"



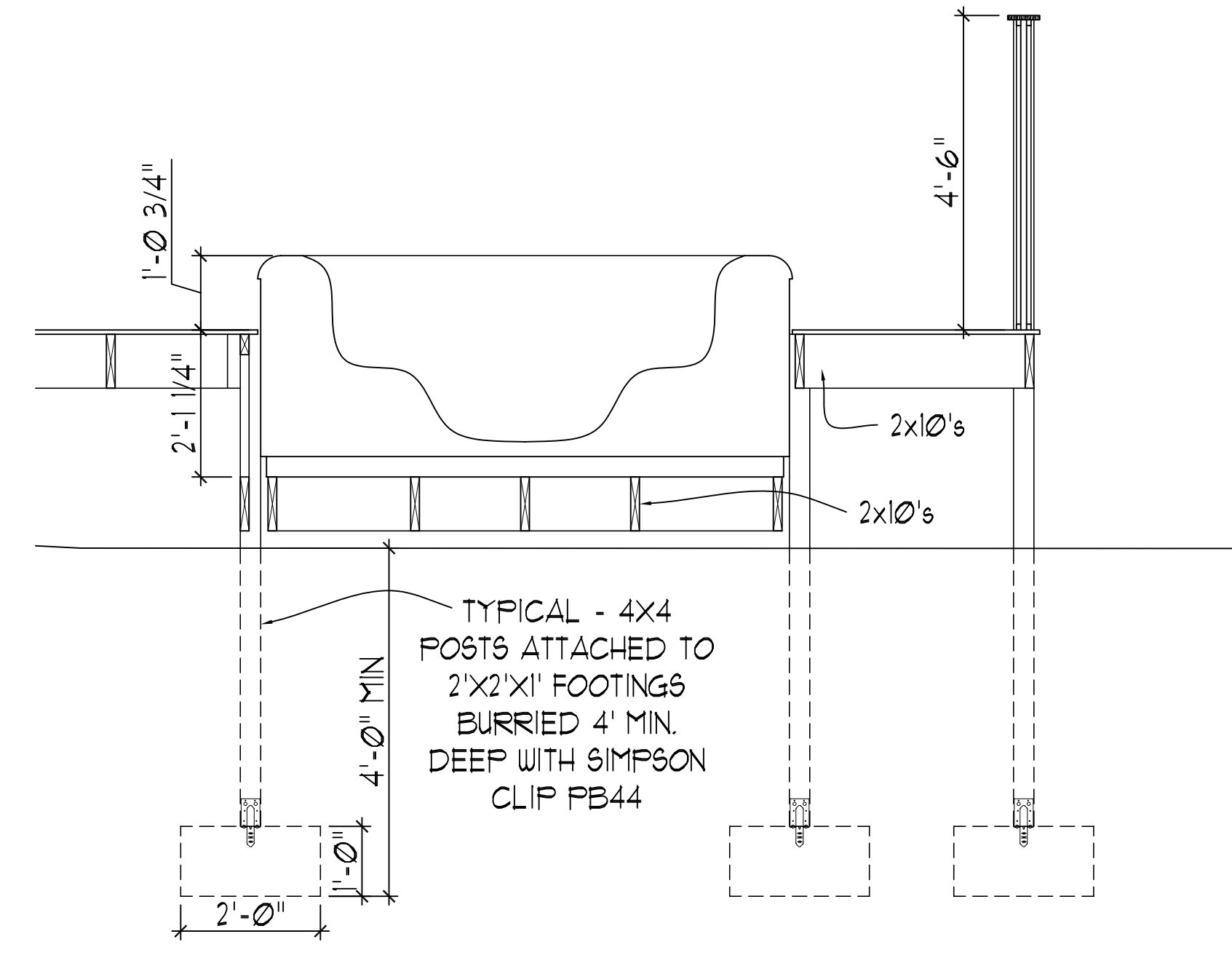
3 LEDGER DETAIL
 SCALE: 1" = 1'-0"



4 S.S. CABLE AND POST RAILING DETAIL
 SCALE: 1" = 1'-0"



5 S.S. CABLE AND POST RAILING ELEV.
 SCALE: 1" = 1'-0"



6 SECTION THROUGH HOTTUB & SURROUNDING FRAMING
 SCALE: 1/2" = 1'-0"

ARCHETYPE, P.A.
 ARCHITECTS
 48 Union Wharf Portland, Maine 04101
 (207) 775-6022 Fax (207) 772-4056

Project
 SZANTON DECK
 499 ALLEN AVENUE
 PORTLAND, ME

Revisions:

Date June 18, 2007
 Scale AS NOTED
 DECK FRAMING AND RAILING DETAILS

A2