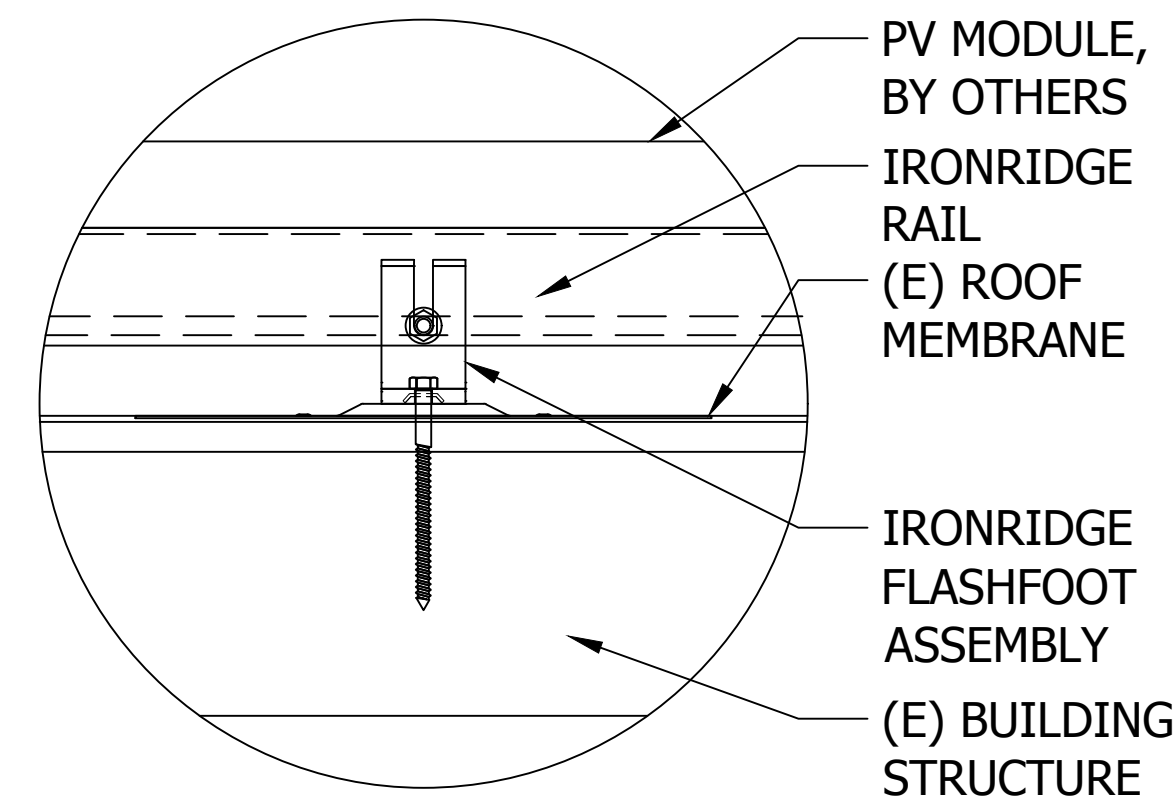
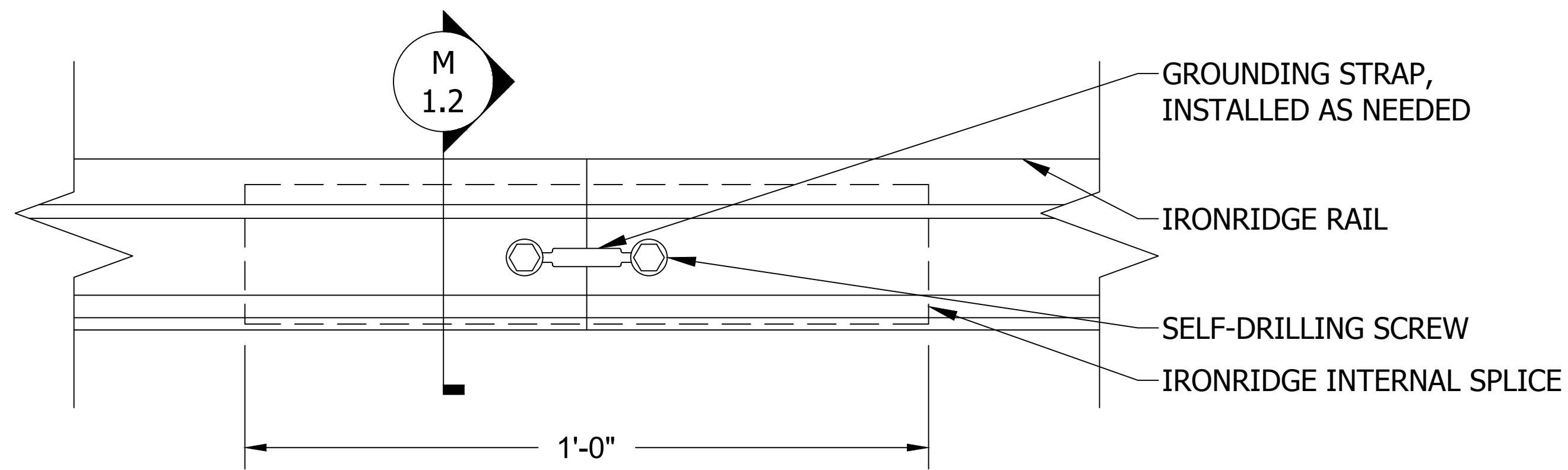


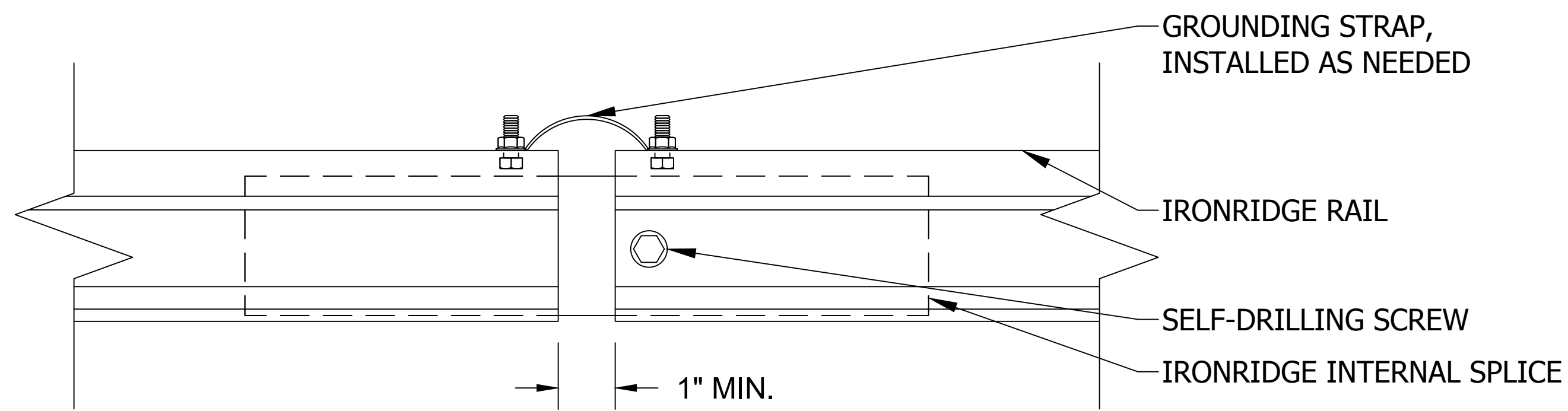
H STANDOFF DETAIL  
Scale: 3"=1'-0"



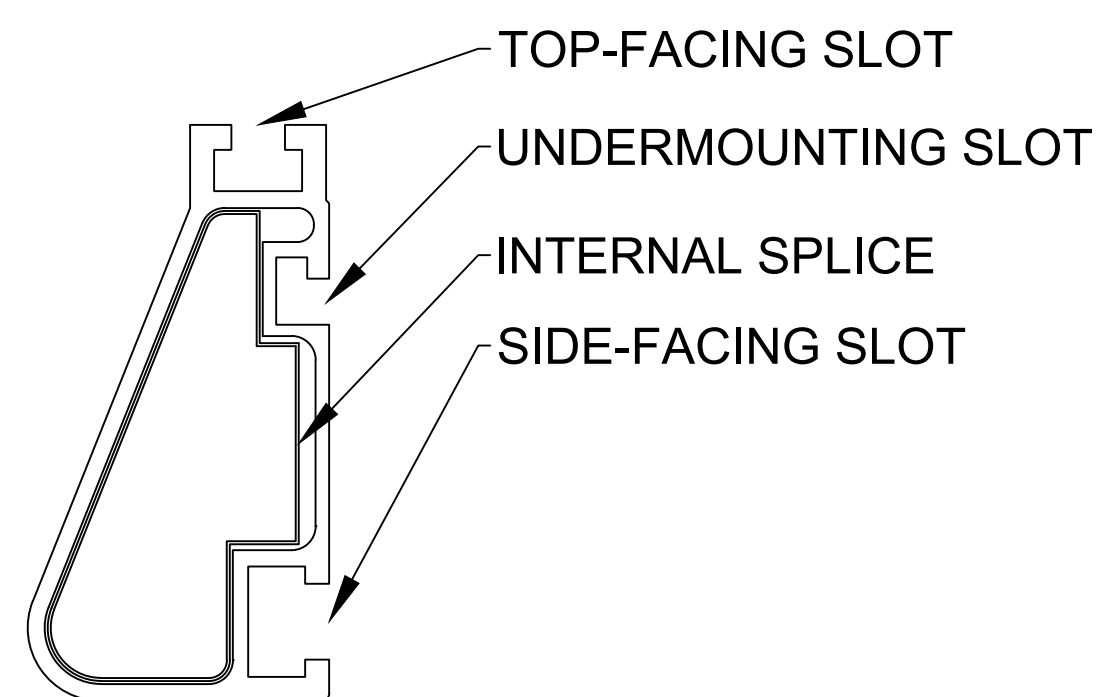
J STANDOFF DETAIL  
Scale: 3"=1'-0"



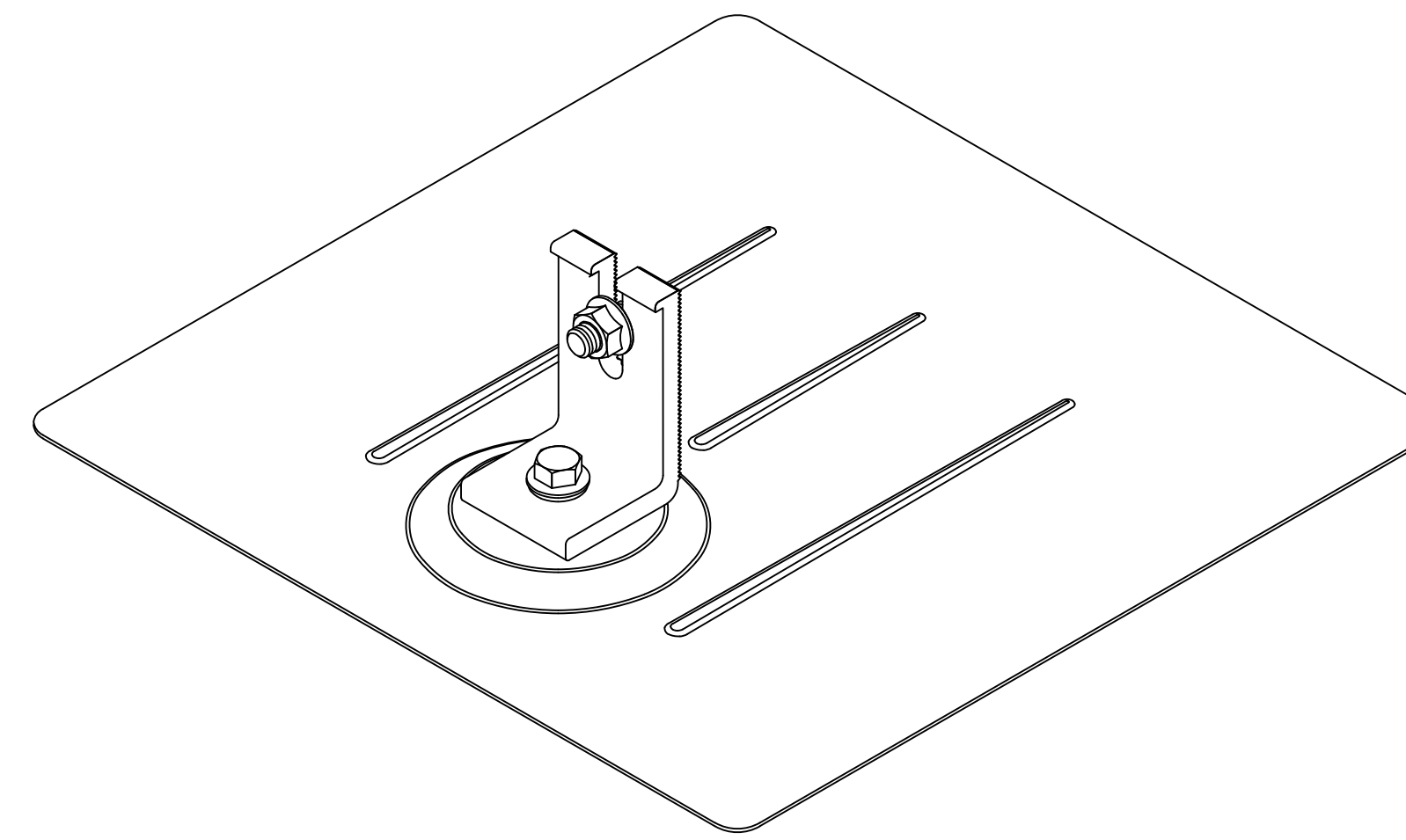
K DETAIL, SPLICE CONNECTION, XR1000  
6"=1'-0"



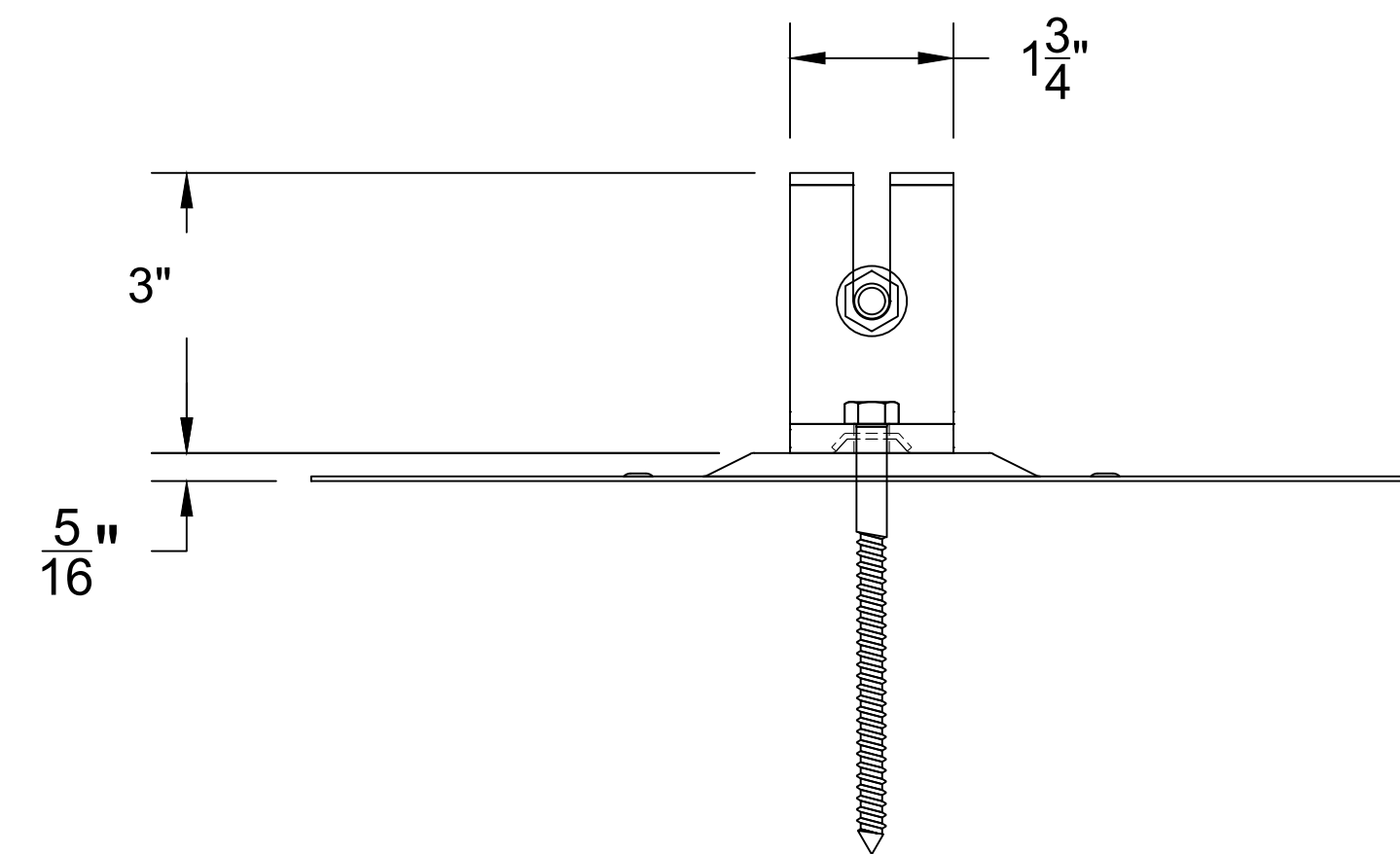
L DETAIL, EXPANSION JOINT CONNECTION, XR1000  
6"=1'-0"



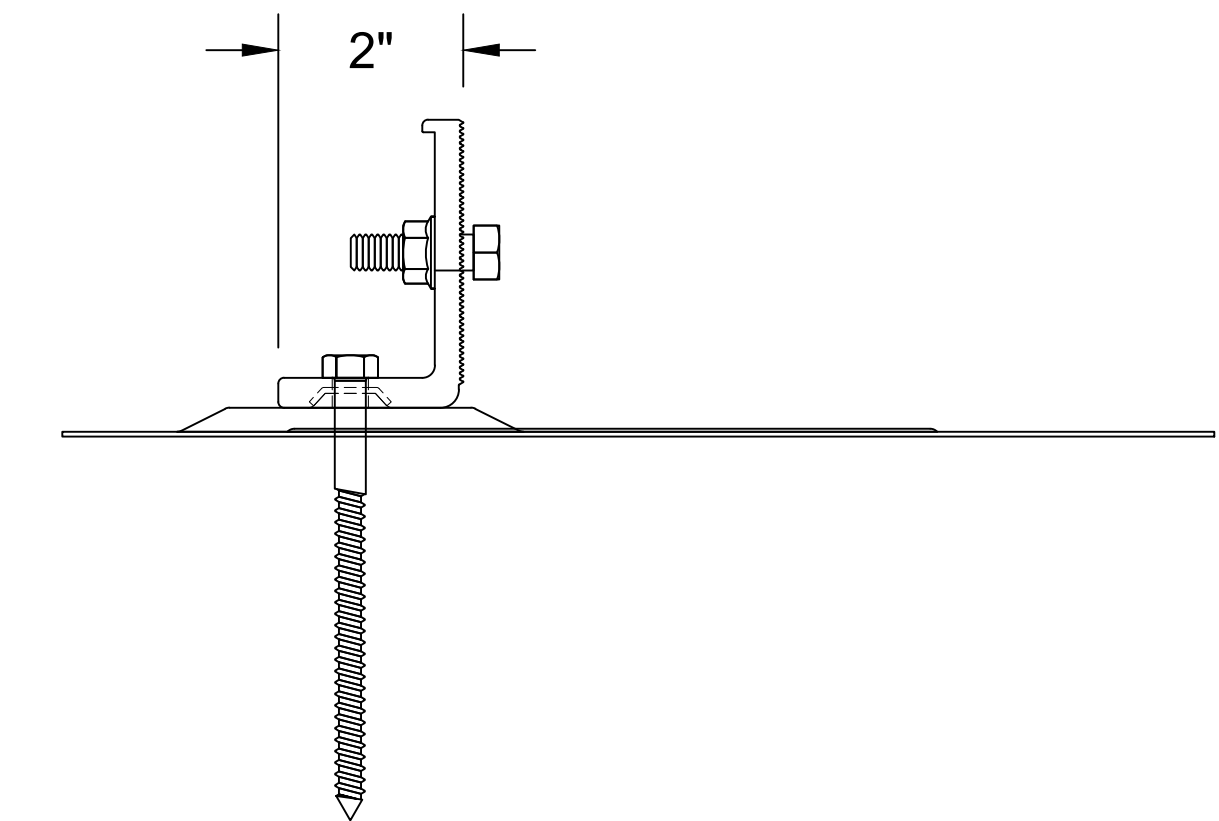
M DETAIL, SPLICE, XR1000  
1'-0"=1'-0"



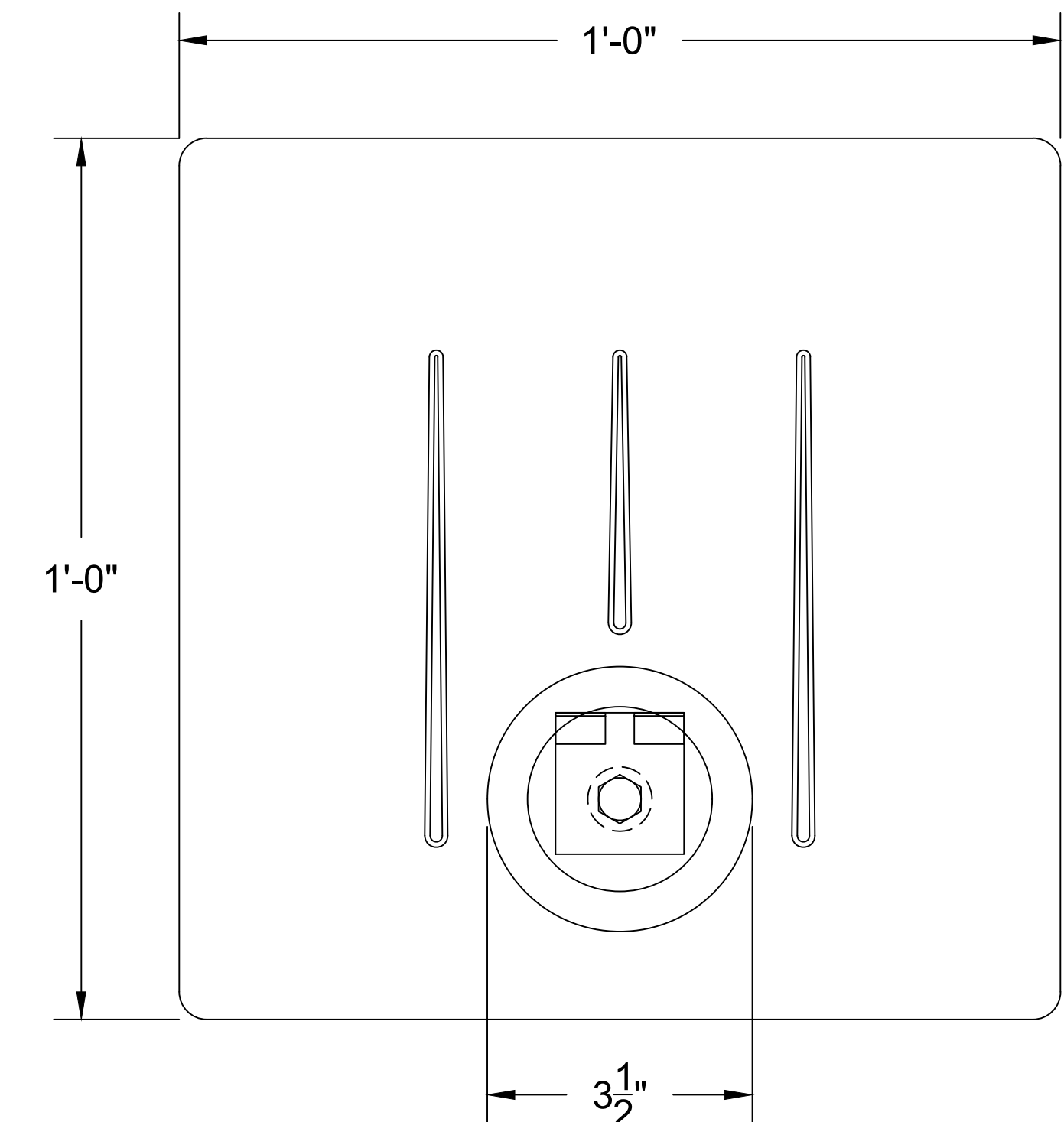
N IRONRIDGE FLASHFOOT STANDOFF



R IRONRIDGE FLASHFOOT STANDOFF, FRONT VIEW



P IRONRIDGE FLASHFOOT STANDOFF, SIDE VIEW



Q IRONRIDGE FLASHFOOT STANDOFF, PLAN VIEW