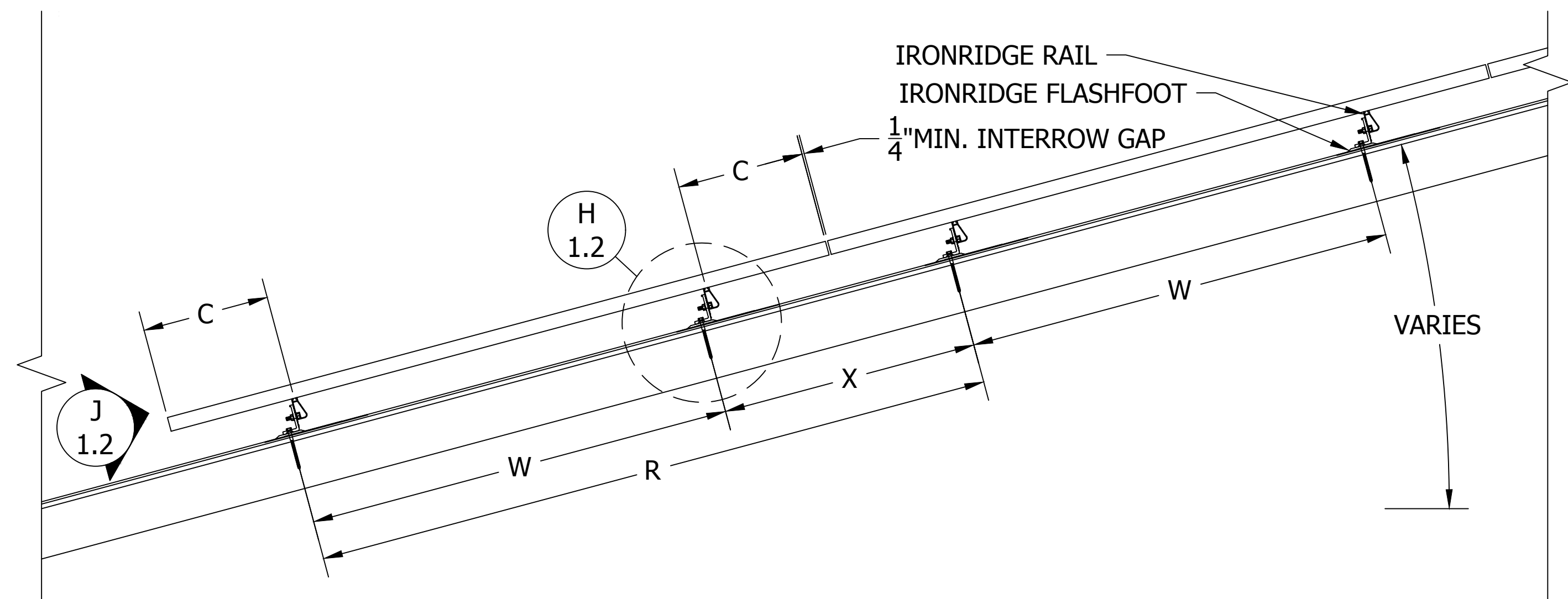
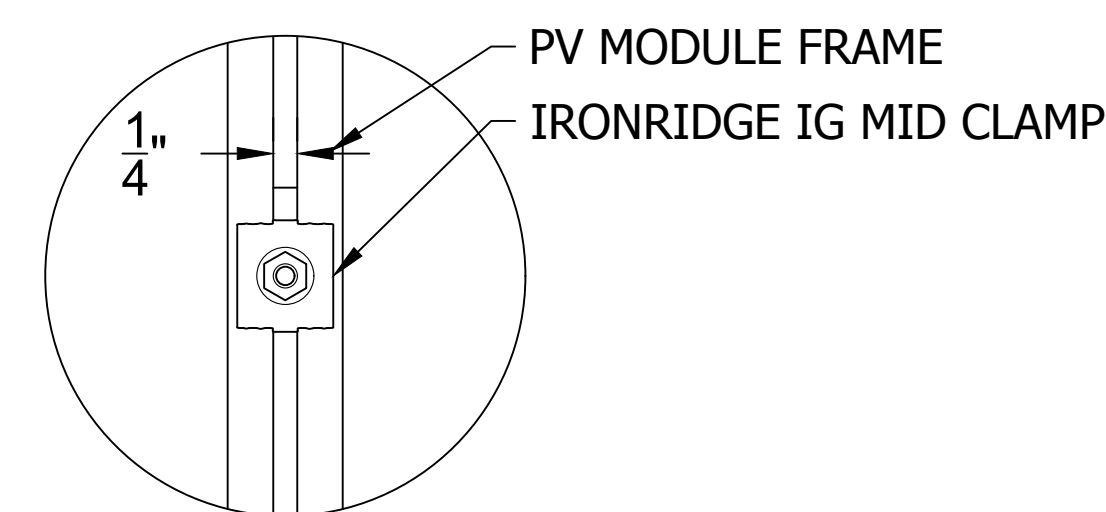


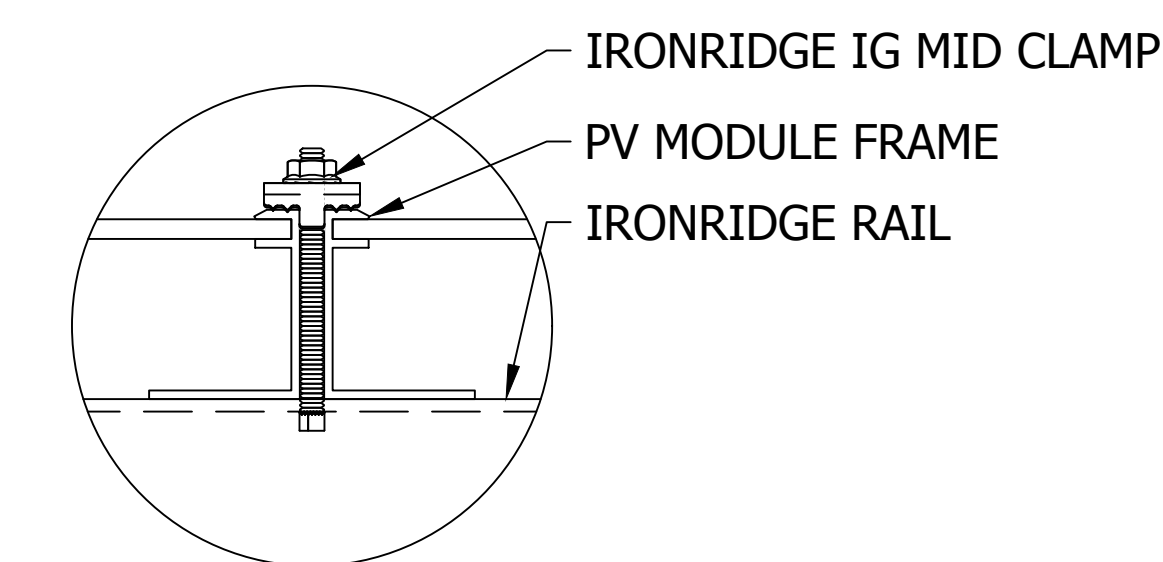
A PLAN VIEW, FLASHFOOT MOUNT, PORTRAIT MODULE
Scale: 1"=1'-0"



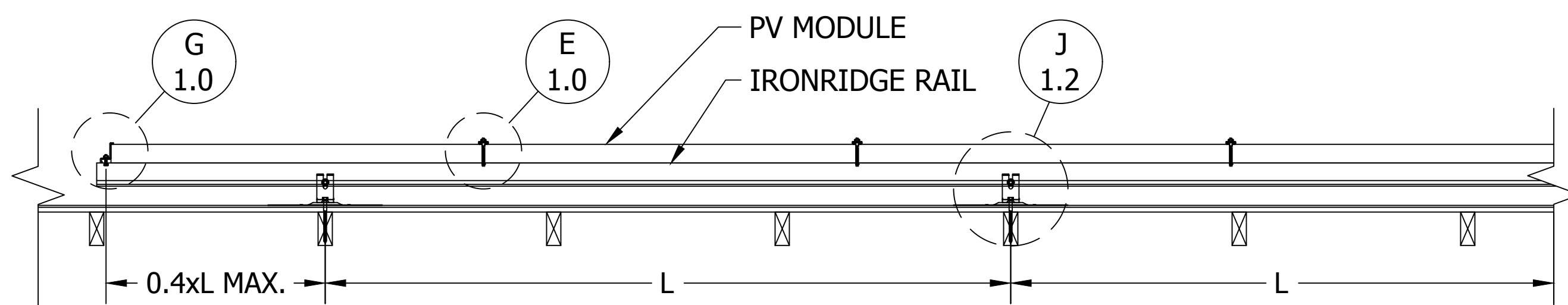
B SIDE VIEW, FLASHFOOT MOUNT, PORTRAIT MODULE
Scale: 1"=1'-0"



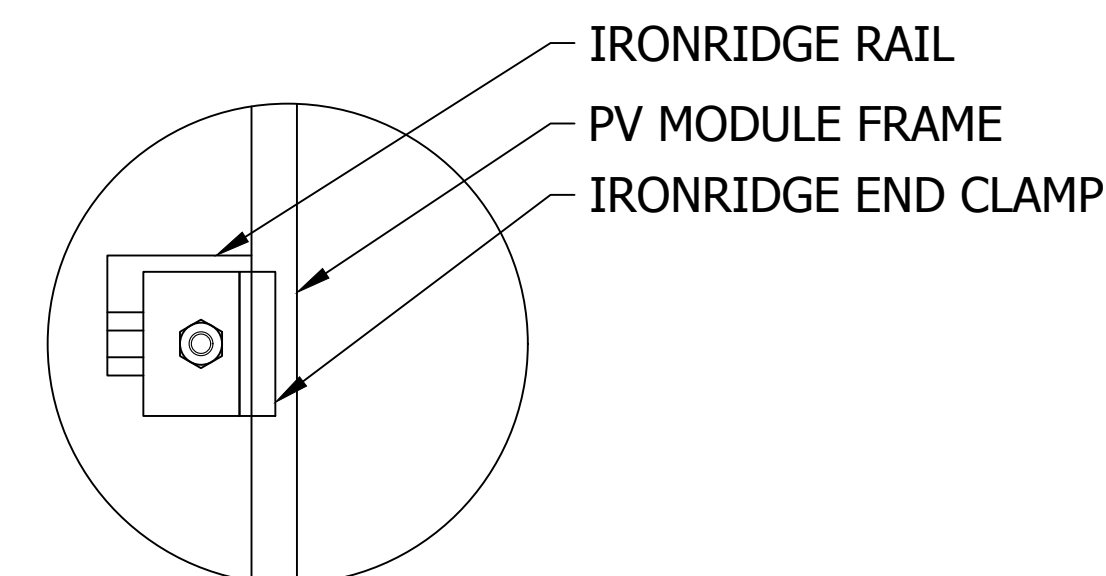
D DETAIL, MID CLAMP PLAN
Scale: 6"=1'-0"



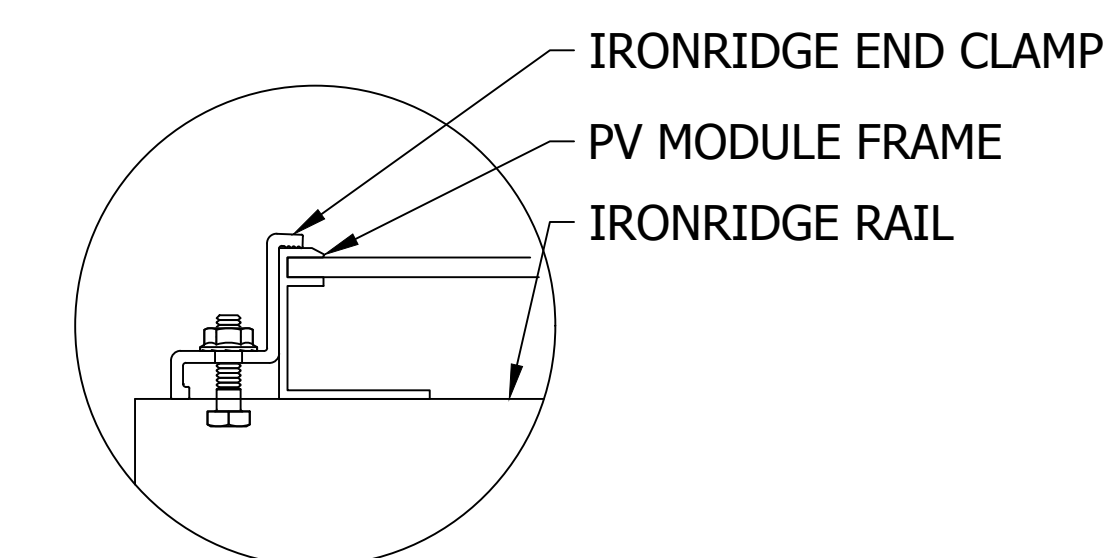
E DETAIL, MID CLAMP FRONT
Scale: 6"=1'-0"



C FRONT VIEW, FLASHFOOT MOUNT, PORTRAIT MODULE
Scale: 1"=1'-0"



F DETAIL, END CLAMP PLAN
Scale: 6"=1'-0"



G DETAIL, END CLAMP FRONT
Scale: 6"=1'-0"

CLIENT NAME	IRONRIDGE
PROJECT NAME	SLOPED ROOF MOUNT SYSTEM
PROJECT ADDRESS	
SYSTEM KW/DC	

WIND SPEED, MPH	
SNOW LOAD, PSF	
EXPOSURE CAT	
RISK CAT	
MODULE TYPE	72-CELL, GENERIC
MODULE W/DC	
MODULE QTY	

APPROVAL STATUS

NOT FOR CONSTRUCTION

REV	DESCRIPTION	DATE

SHEET NAME	
SLOPED ROOF PV SYSTEM DETAILS: FLASHFOOT	
JOB NO.	3.1 SR
ISSUE DATE	XX FEB 2016
SHEET NO.	IR 1.0
SHEET SIZE	24X36