

**City of Portland, Maine - Building or Use Permit Application**

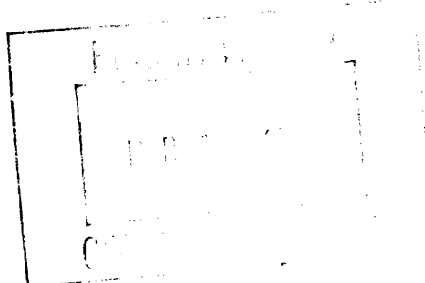
389 Congress Street, 04101 Tel: (207) 874-8703, Fax: (207) 874-8716

<b>Permit No:</b> 09-0189	<b>Issue Date:</b>	<b>CBL:</b> 398 A003001
------------------------------	--------------------	----------------------------

<b>Location of Construction:</b> 17 SUMMIT ST	<b>Owner Name:</b> HATT DANNY R & DONALD J C	<b>Owner Address:</b> 17 SUMMIT ST	<b>Phone:</b>
<b>Business Name:</b>	<b>Contractor Name:</b> Down East Energy	<b>Contractor Address:</b> 172 Main Street South Portland	<b>Phone:</b> 2077995585
<b>Lessee/Buyer's Name</b>	<b>Phone:</b>	<b>Permit Type:</b> HVAC	<b>Zone:</b>

<b>Past Use:</b> 2 Unit	<b>Proposed Use:</b> 2 Unit - install a monitor GF3800 and (2) 120 Gallon propane tanks	<b>Permit Fee:</b> \$40.00	<b>Cost of Work:</b> \$2,000.00	<b>CEO District:</b> 5
<b>Proposed Project Description:</b> install a monitor GF3800 and (2) 120 Gallon propane tanks		<b>FIRE DEPT:</b> <input type="checkbox"/> Approved <input type="checkbox"/> Denied	<b>INSPECTION:</b> Use Group: <i>L3</i> Type: <i>SB</i> <i>St. Maine GAS Regs</i> <i>IXC 2003</i> Signature: <i>DM 3/14/09</i>	
		<b>PEDESTRIAN ACTIVITIES DISTRICT (P.A.D.)</b> Action: <input type="checkbox"/> Approved <input type="checkbox"/> Approved w/Conditions <input type="checkbox"/> Denied Signature: _____ Date: _____		

<b>Permit Taken By:</b> Ldobson	<b>Date Applied For:</b> 03/11/2009	<b>Zoning Approval</b>	
------------------------------------	--	------------------------	--

<ol style="list-style-type: none"> <li>This permit application does not preclude the Applicant(s) from meeting applicable State and Federal Rules.</li> <li>Building permits do not include plumbing, septic or electrical work.</li> <li>Building permits are void if work is not started within six (6) months of the date of issuance. False information may invalidate a building permit and stop all work..</li> </ol>	<b>Special Zone or Reviews</b> <input type="checkbox"/> Shoreland <input type="checkbox"/> Wetland <input type="checkbox"/> Flood Zone <input type="checkbox"/> Subdivision <input type="checkbox"/> Site Plan Maj <input type="checkbox"/> Minor <input type="checkbox"/> MM <input type="checkbox"/> Date: _____	<b>Zoning Appeal</b> <input type="checkbox"/> Variance <input type="checkbox"/> Miscellaneous <input type="checkbox"/> Conditional Use <input type="checkbox"/> Interpretation <input type="checkbox"/> Approved <input type="checkbox"/> Denied Date: _____	<b>Historic Preservation</b> <input type="checkbox"/> Not in District or Landmark <input type="checkbox"/> Does Not Require Review <input type="checkbox"/> Requires Review <input type="checkbox"/> Approved <input type="checkbox"/> Approved w/Conditions <input type="checkbox"/> Denied Date: _____
			

**CERTIFICATION**

I hereby certify that I am the owner of record of the named property, or that the proposed work is authorized by the owner of record and that I have been authorized by the owner to make this application as his authorized agent and I agree to conform to all applicable laws of this jurisdiction. In addition, if a permit for work described in the application is issued, I certify that the code official's authorized representative shall have the authority to enter all areas covered by such permit at any reasonable hour to enforce the provision of the code(s) applicable to such permit.

SIGNATURE OF APPLICANT	ADDRESS	DATE	PHONE
RESPONSIBLE PERSON IN CHARGE OF WORK, TITLE		DATE	PHONE

**City of Portland, Maine - Building or Use Permit**

389 Congress Street, 04101 Tel: (207) 874-8703, Fax: (207) 874-8716

<b>Permit No:</b> 09-0189	<b>Date Applied For:</b> 03/11/2009	<b>CBL:</b> 398 A003001
------------------------------	--	----------------------------

<b>Location of Construction:</b> 17 SUMMIT ST	<b>Owner Name:</b> HATT DANNY R & DONALD J C	<b>Owner Address:</b> 17 SUMMIT ST	<b>Phone:</b>
<b>Business Name:</b>	<b>Contractor Name:</b> Down East Energy	<b>Contractor Address:</b> 172 Main Street South Portland	<b>Phone:</b> (207) 799-5585
<b>Lessee/Buyer's Name</b>	<b>Phone:</b>	<b>Permit Type:</b> HVAC	

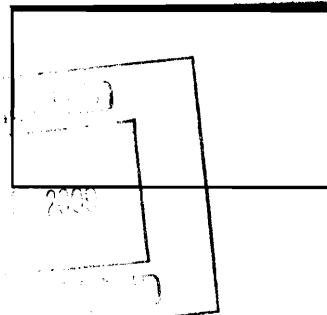
<b>Proposed Use:</b> 2 Unit - install a monitor GF3800 and (2) 120 Gallon propane tanks	<b>Proposed Project Description:</b> install a monitor GF3800 and (2) 120 Gallon propane tanks
--	---

<b>Dept:</b> Zoning	<b>Status:</b> Approved	<b>Reviewer:</b> Tom Markley	<b>Approval Date:</b> 03/11/2009
<b>Note:</b>			<b>Ok to Issue:</b> <input checked="" type="checkbox"/>
1) This is NOT an approval for an additional dwelling unit. You SHALL NOT add any additional kitchen equipment including, but not limited to items such as stoves, microwaves, refrigerators, or kitchen sinks, etc. Without special approvals.			
2) This permit is being approved on the basis of plans submitted. Any deviations shall require a separate approval before starting that work.			
<b>Dept:</b> Building	<b>Status:</b> Approved with Conditions	<b>Reviewer:</b> Tom Markley	<b>Approval Date:</b> 03/11/2009
<b>Note:</b>			<b>Ok to Issue:</b> <input checked="" type="checkbox"/>
1) The installation must comply with the State of Maine Gas Regulations.			
2) Application approval based upon information provided by applicant. Any deviation from approved plans requires separate review and approval prior to work.			



FILL IN AND SIGN WITH INK

# APPLICATION FOR PERMIT HEATING OR POWER EQUIPMENT



To the INSPECTOR OF BUILDINGS, PORTLAND, ME.

The undersigned hereby applies for a permit to install the following heating, cooking or power equipment in accordance with the Laws of Maine, the Building Code of the City of Portland, and the following specifications:

Location / CBL 398 A 003 Use of Building Dwelling Date 3/11/09  
 Name and address of owner of appliance Dan Hart 17 Summit St. Portland  
ME 04103  
 Installer's name and address Downeast Energy 172 Main Street  
SO. PORTLAND MAINE 04106 Telephone 207-799-5885

### Location of appliance:

- Basement
- Floor 2nd
- Attic
- Roof

### Type of Fuel:

- Gas
- Oil
- Solid

Appliance Name: Monitor GF3800

U.L. Approved  Yes  No

Will appliance be installed in accordance with the manufacture's installation instructions?  Yes  No

IF NO Explain: \_\_\_\_\_

### The Type of License of Installer:

- Master Plumber # \_\_\_\_\_
- Solid Fuel # \_\_\_\_\_
- Oil # MS3 0007705
- Gas # MS30007705
- Other \_\_\_\_\_

### Type of Chimney:

- Masonry Lined Andrew Carass Lincoll P/u-
- Factory built 1

- Metal
- Factory Built U.L. Listing # \_\_\_\_\_

- Direct Vent
- Type concentric UL# \_\_\_\_\_

### Type of Fuel Tank

- Oil
- Gas

Size of Tank 120 gallon

Number of Tanks 2

Distance from Tank to Center of Flame 30' feet.

Cost of Work: \$ 2000<sup>00</sup>

Permit Fee: \$ 40

### Approved

### Approved with Conditions

Fire: \_\_\_\_\_  
 Ele.: \_\_\_\_\_  
 Bldg.: \_\_\_\_\_

See attached letter or requirement

Signature of Installer Andrew Carass Downeast Energy

Inspector's Signature \_\_\_\_\_

Date Approved \_\_\_\_\_

# MONITOR GF 3800

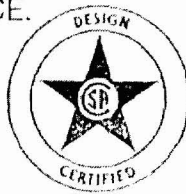
## Vented Heating Systems

### Owner's Guide

This manual provides instructions for BOTH standard construction homes, and Manufactured (Mobile) homes.

#### IMPORTANT:

READ THIS OWNER'S GUIDE  
CAREFULLY AND THOROUGHLY  
BEFORE INSTALLING OR USING  
YOUR HEATER.  
RETAIN THIS OWNER'S GUIDE  
FOR FUTURE REFERENCE.



**⚠ WARNING.** IF THE INFORMATION IN THIS MANUAL IS NOT FOLLOWED EXACTLY, A FIRE OR EXPLOSION MAY RESULT CAUSING PROPERTY DAMAGE, PERSONAL INJURY OR LOSS OF LIFE.

DO NOT STORE OR USE GASOLINE OR OTHER FLAMMABLE VAPORS AND LIQUIDS IN THE VICINITY OF THIS OR ANY OTHER APPLIANCE.

#### WHAT TO DO IF YOU SMELL GAS

DO NOT TRY TO LIGHT ANY APPLIANCE.

DO NOT TOUCH ANY ELECTRICAL SWITCH; DO NOT USE ANY PHONE IN YOUR BUILDING.

IMMEDIATELY CALL YOUR GAS SUPPLIER FROM A NEIGHBOR'S PHONE.

FOLLOW THE GAS SUPPLIER'S INSTRUCTIONS.

IF YOU CANNOT REACH YOUR GAS SUPPLIER, CALL THE FIRE DEPARTMENT.

INSTALLATION AND SERVICE MUST BE PERFORMED BY A QUALIFIED INSTALLER, SERVICE AGENCY OR THE GAS SUPPLIER.

This appliance may be installed in an aftermarket, permanently located, manufactured home (USA only) or mobile home, where not prohibited by local codes.

This appliance is only for use with the type of gas indicated on the rating plate. This appliance is not convertible for use with other gases, unless a certified kit is used.



MONITOR PRODUCTS INC

## SECTION D

### NOTICE BEFORE INSTALLATION

The heater must be installed by a qualified service person according to this installation instruction .

The installation must conform with local codes or, in the absence of local codes, the National Fuel Gas Code, ANSI Z223.1/NFPA 54 .

The installation must conform with local codes or, in the absence of local codes, the current CAN 1-B149 INSTALLATION CODE.

For mobile housing and recreational vehicle installation the current Standard CSA Z 240.4 GAS EQUIPPED RECREATIONAL VEHICLES AND MOBILE HOUSING.

A manufactured home (mobile home) installation must conform with the Manufactured Home Construction and Safety Standard, Title 24 CFR, Part 3280, or, when such a standard is not applicable, the Standard for Manufactured Home installations, ANSI A 225.1/NFPA 501A.

Due to high temperatures, the appliance should be located out of traffic and away from furniture and draperies.

Children and adults should be alerted to the hazards of high surface temperatures and should stay away to avoid burns or clothing ignition.

Young children should be carefully supervised when they are in the same room as the appliance.

Clothing or other flammable material should not be placed on or near the appliance.

Make sure that the flow of combustion and ventilation air is not obstructed.

Any safety or guard removed for servicing an appliance must be replaced prior to operating the appliance.

#### WARNING

Do not operate appliance with the panel removed, cracked or broken. Replacement of the panel should be done by a licensed or qualified service person.

For manufactured home (USA only) or mobile home or residential installation convertible for use with natural gas and liquefied petroleum gases when provision is made for the simple conversion from one gas to the other.

Installation and repair should be done by a qualified service person. The appliance should be inspected before use and at least annually by a qualified service person. More frequent cleaning may be required due to excessive lint from carpeting, bedding material, etc. It is imperative that control compartments, burners and circulating air passageways of the appliance be kept clean.

Do not use this heater if any part has been under water. Immediately call a qualified service technician to inspect the heater and to replace any part of the control system and any gas control which has been under water.

The appliance, when installed, must be electrically grounded in accordance with local codes or, in the absence of local codes, with the National Electrical Code, ANSI/NFPA 70 .

The appliance, when installed, must be electrically connected and grounded in accordance with local codes or, in the absence of local codes, with the current CSA C22.1 CANADIAN ELECTRICAL CODE.

#### WARNING

THIS APPLIANCE IS EQUIPPED WITH A THREE-PRONG (GROUNDING) PLUG FOR YOUR PROTECTION AGAINST SHOCK HAZARD AND SHOULD BE PLUGGED DIRECTLY INTO A PROPERLY GROUNDED THREE-PRONG RECEPTACLE. DO NOT CUT OR REMOVE THE GROUNDING PRONG FROM THIS PLUG.

#### WARNING

IN MANUFACTURED/MOBILE HOMES WIRED FOR 120/240V, ENSURE THAT THE GF3800 IS ONLY PLUGGED INTO A 120 VOLT CIRCUIT.

#### CAUTION

Before converting the GF3800 gas type (to Liquid Propane or Nat Gas), Read instructions in Section E, Page 16.

## HEATER INSTALLATION

### Step 1: Fill Out Owner Registration Card

Remove your owner registration card from the plastic envelope containing the owner's guide. It should be filled out and mailed as soon as possible.

### Step 2: Check for Parts

Before discarding packing materials, be sure you have located the following:

- Manual Gas Valve
- Conversion Kit
- Flue Pipe
- Sleeve Nut
- Tray
- Room Temp. Sensor (attached to the rear of the heater)
- Cardboard Template
- "STANDARD" Damper
- "EXTENSION" Damper
- Wall Clamps (2)
- Rubber Packing
- Joint Pipe
- Cloth Insulation Cover
- Outer Flange
- Pipe Holder
- Small Bag of Screws
  - Tapping, Type A - #8 x 3/4
  - Tapping, Type A - #8 x 5/16



	
For securing sleeve and wall clamps	For securing wall clamps
SIZE	SIZE
#8 x 3/4 Tapping	#8 x 5/16 Tapping

Fig. 3

### Step 3: Choose a Location for Your Heater

In choosing a location for your heater, the following guidelines must be considered:

- The heater may be installed on combustible flooring on the metal tray provided.
- The area around the heater should be free of obstacles that might interfere with the free flow of air. Allow the clearances shown in Figure 4
- The heater must not be installed in a fireplace.
- An AC wall outlet must be within reach of the heater's power cord. Extension cords must not be used.
- The area outside where the flue pipe will emerge should be free of foliage, fuel storage tanks and flammable objects. Air should circulate freely in the area. Allow the clearances shown in Figure 6 on the next page.
- Refer to Figure 4 to provide adequate accessibility clearances for servicing.

- The wall where flue pipe hole will be cut should be free of plumbing pipes, electrical wires, studs, air ducts and other obstacles.

*NOTE: Use the cardboard template provided with your heater for flue pipe location.*

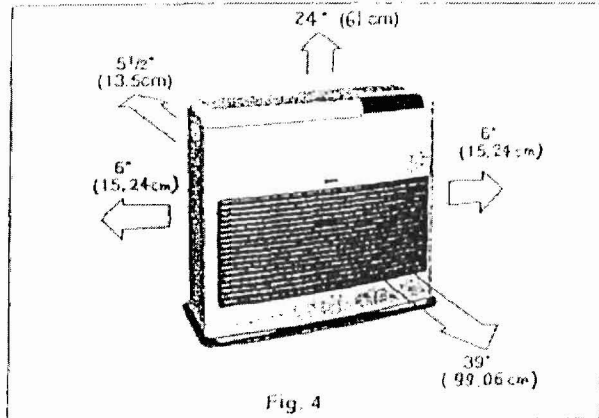


Fig. 4

### Step 4: Drill a Pilot Hole

*NOTE: The following directions apply to "standard" installation. For other methods, follow instructions included with accessory kits.*

*For walls up to 8 1/2 inches (22.0 cm) thick, use a standard flue pipe; for walls up to 12 1/2 inches (31.5 cm) thick, use a medium adjustable flue pipe kit; and for walls up to 20 inches (50.5 cm) thick, use a long adjustable flue pipe kit.*

Use the template to position the hole to be drilled. The "blue dot" indicates the exact center of the hole. Using an electric drill and a long drill bit, make a pilot hole through the wall (Figure 5). Be sure the hole extends through the outside wall.

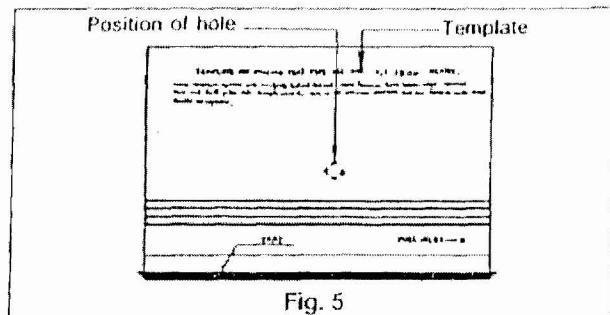
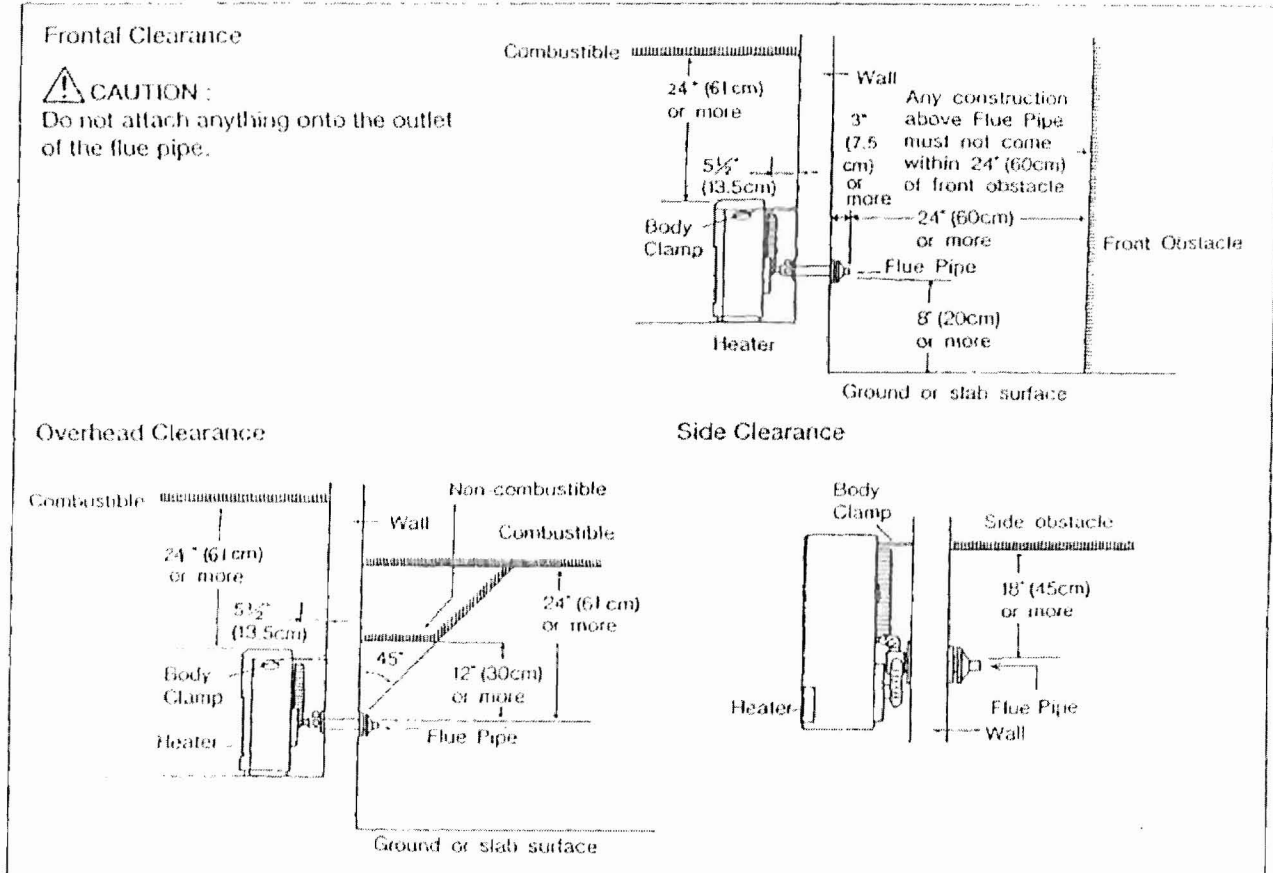


Fig. 5

**⚠ CAUTION:** The opening on the inside wall should be approximately 1/4 inch higher than on the outside wall so the flue pipe will slope downward when installed. This will allow condensation to drain outdoors.

## FLUE PIPE CLEARANCES

- Vent terminal must be located at least 3 feet above any forced air inlet located within 10 feet.
- The vent terminal of a direct vent appliance with an input of 50,000 Btu per hour or less shall be located at least 9 inches from any opening through which flue gases could enter a building, and such an appliance with an input over 50,000 Btu per hour shall require a 12-inch vent termination clearance. The bottom of the vent terminal and the air intake shall be located at least 12 inches above grade.
- Flue pipe installations should provide for venting to a confined space through which there is a free flow of outdoor air. Clearances to adjacent walls or obstacles must comply with the requirements shown below.



## IMPORTANT:

(1) In areas of heavy snow falls, ground surface clearance must be increased according to average snow falls, to prevent flue pipe from being buried.

(2) In open area with strong wind, a wind break may be necessary.

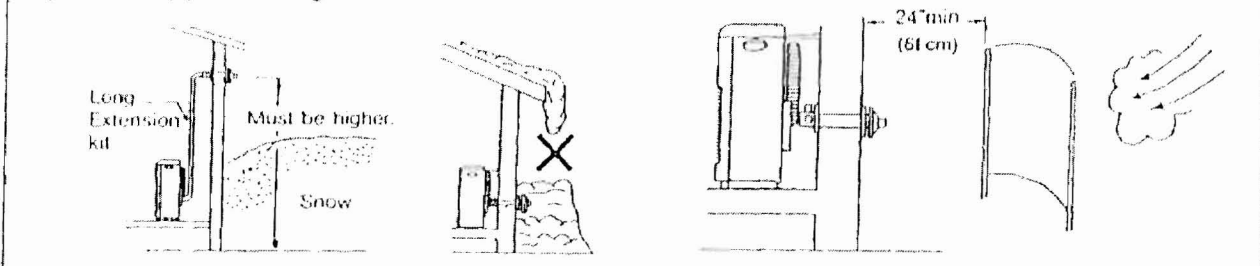


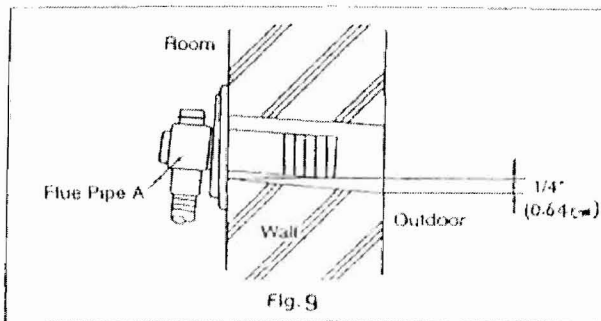
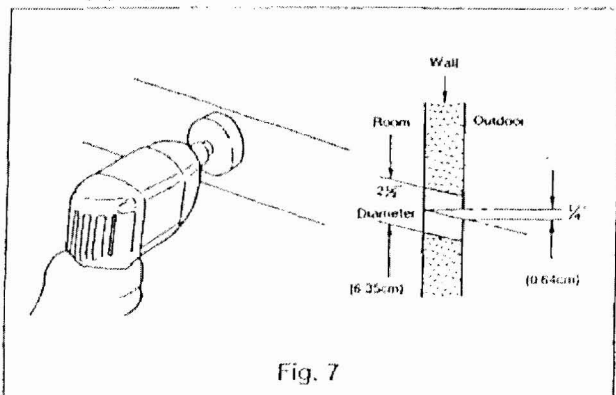
Fig. 6

**Step 5: Cut the Hole for the Flue pipe**

Using a hole saw attachment and an electric drill, cut a 2½ inch diameter hole through the inner and outer walls (Figure 7).

After the hole is cut, use a straight edge and a level to be sure the inside opening is approximately ¼ inch higher than the outside opening.

*NOTE: After cutting the inside wall, remove the insulation. Make sure there are no obstructions inside the wall, such as electrical wiring, water pipes, hot air ducts, etc.*

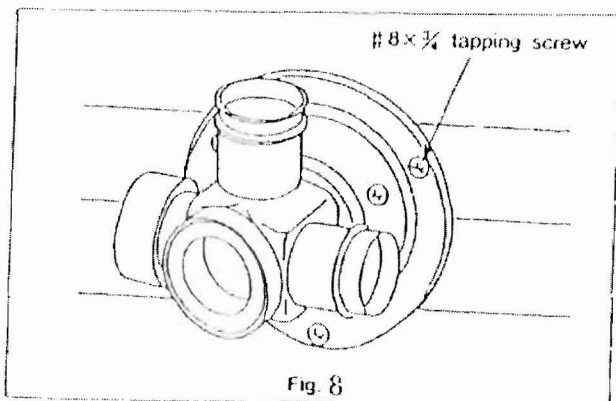


**Step 6: The Flue Pipe is two Sections, Flue Pipe A and Flue Pipe B**

**Install the Flue Pipe A**

From INSIDE the building, insert the flue pipe A (with arrow pointing "up") into the hole. Fasten the flue pipe with the 3#8× 3/4 tapping screws (Figure 8 and 9). (See Figure for screw size and application.)

*NOTE: Top center port is an extra exhaust port.*

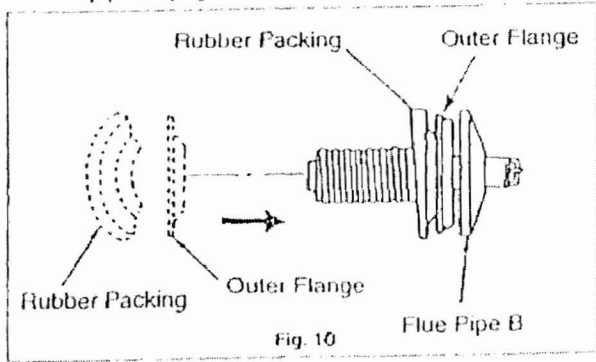




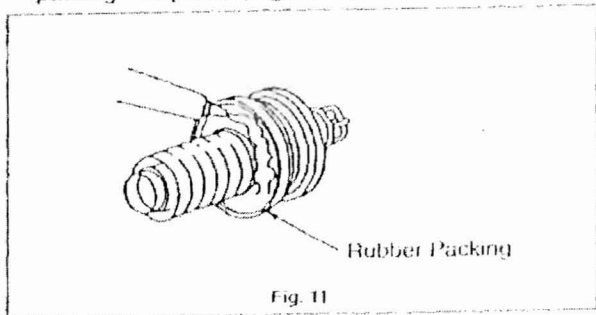
**Step 7: Install Flue Pipe B**

Wall Thickness: 5-8 1/2 inches

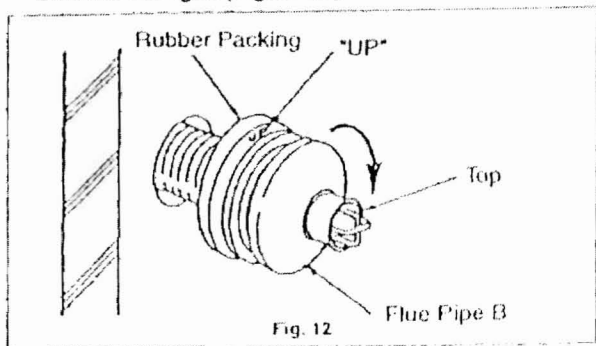
1. Slide the outer flange and the rubber packing onto Flue pipe B (Figure 10)



2. Spread caulking material on the inside of the rubber packing if required. (Figure 11)

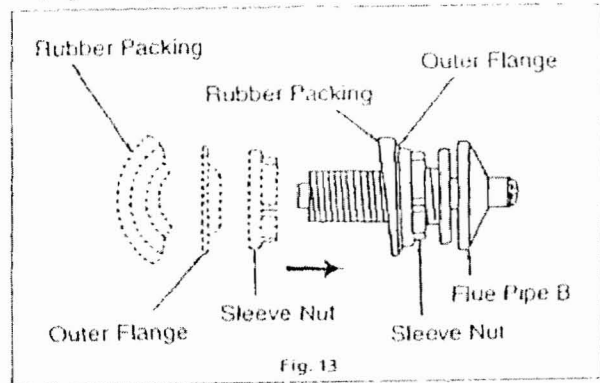


3. It is important to keep the "UP" mark on the rubber packing at the top while screwing in Flue pipe B. Hold the packing in place while screwing in Flue pipe B until it is the tight. (Figure 12)



Wall Thickness: 1/4 - 5 inches

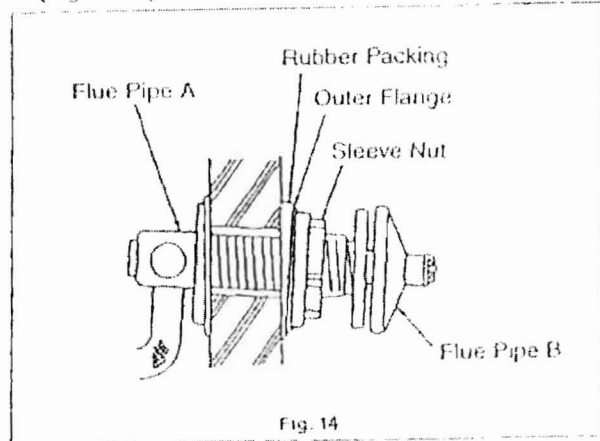
1. Set the Sleeve nut onto Flue Pipe B by turning the Sleeve Nut counter-clockwise. Slide the Outer Flange and the Rubber Packing onto Flue Pipe B. (Figure 13)

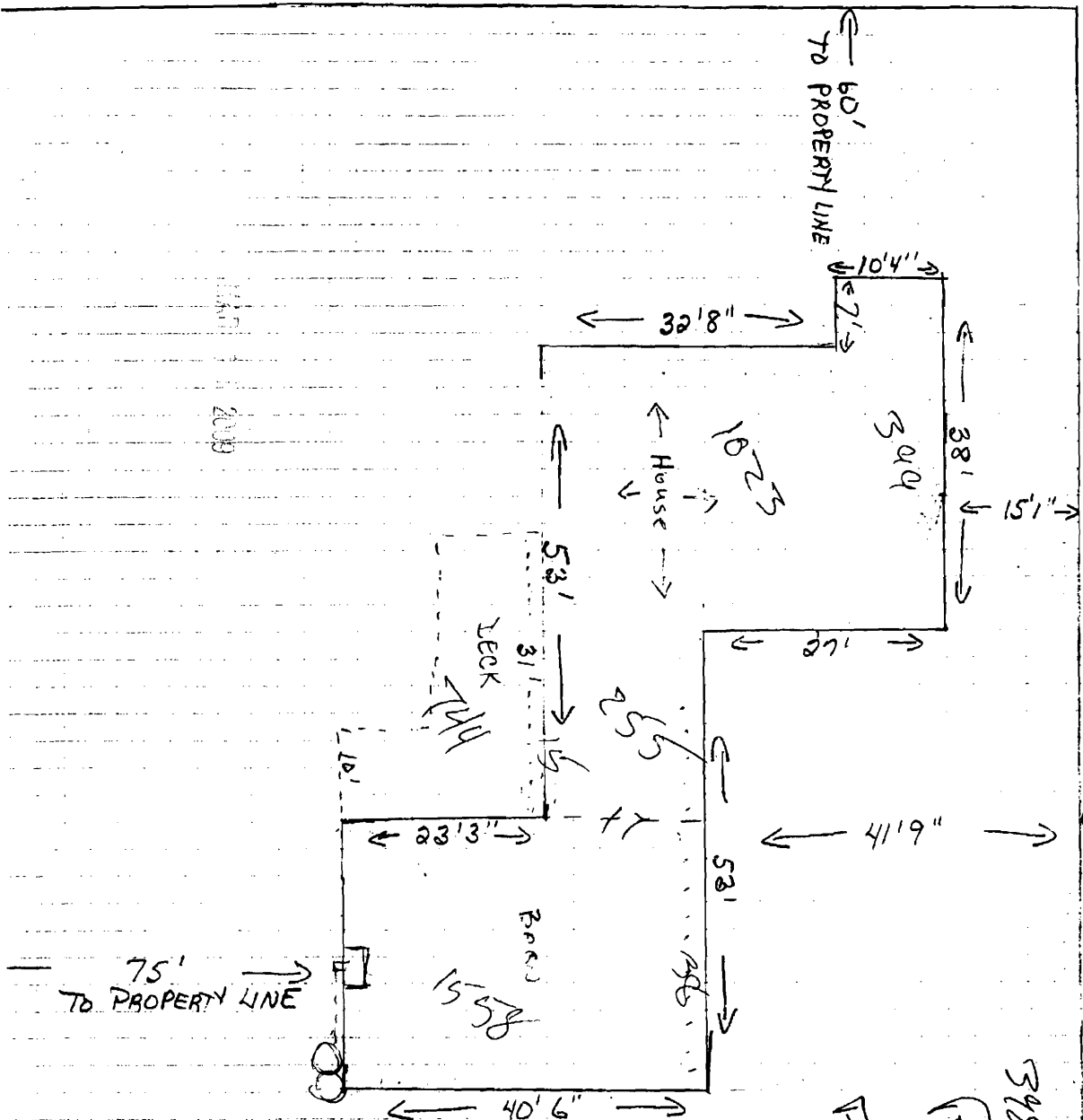


2. Spread caulking material on the inside of the Rubber Packing if required. (Figure 11)

3. It is important to keep the "UP" mark on the Rubber Packing at the top while screwing in the Flue Pipe B. Hold the Rubber packing in place while screwing in the Flue Pipe B until it is the tight. (Figure 12)

4. Turn the Sleeve Nut clockwise and tighten. (Figure 14)





SIDEWALK

← 180' →

(+ or -)

ALL MEASUREMENTS APPROX WITHIN INCHES

348-A-3 32849 sq' lot

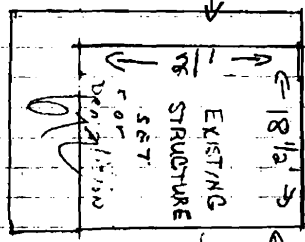
Rear 25' Req More than 75' shown

Front 25' Req

43' shown

Side 12' req

16' shown



New Structure 24x28

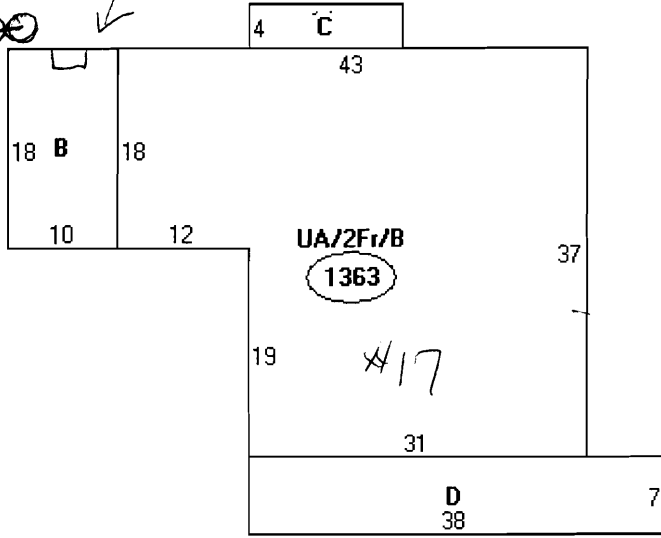
Max lot coverage = 20%

Max 65' Req

Max 46'5\"/>

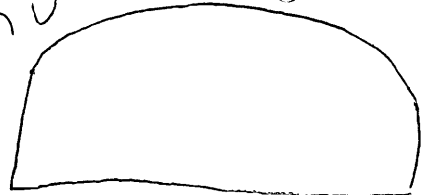
GF 3800 2nd floor

Propane tanks



- Descriptor/
- A: UA/2Fr/B  
1363 sqft
  - B: UA/1Fr/EP  
180 sqft
  - C: OFF  
56 sqft
  - D: EP  
266 sqft

Drive way



Summit St



**CITY OF PORTLAND, MAINE**  
 Department of Building Inspections

**Original Receipt**

3-11 20 09

Received from D. W. [Signature]

Location of Work 17 Summit

Cost of Construction \$ \_\_\_\_\_ Building Fee: \_\_\_\_\_

Permit Fee \$ 40 Site Fee: \_\_\_\_\_

Certificate of Occupancy Fee: \_\_\_\_\_

Total 40

Building (11)  Plumbing (15) \_\_\_\_\_ Electrical (12) \_\_\_\_\_ Site Plan (U2) \_\_\_\_\_

Other HVAC

CBL: 398-A-3

Check #: \_\_\_\_\_ Total Collected \$ 40

**No work is to be started until permit issued.**  
 If permit is Withdrawn or Denied, amount of the Refund is based on \$20.00 or 20% of the fee, (whichever is greater)  
 In order to receive a refund, you **MUST** present the Original Receipt.

Taken by: [Signature]

WHITE - Applicant's Copy  
 YELLOW - Office Copy  
 PINK - Permit Copy