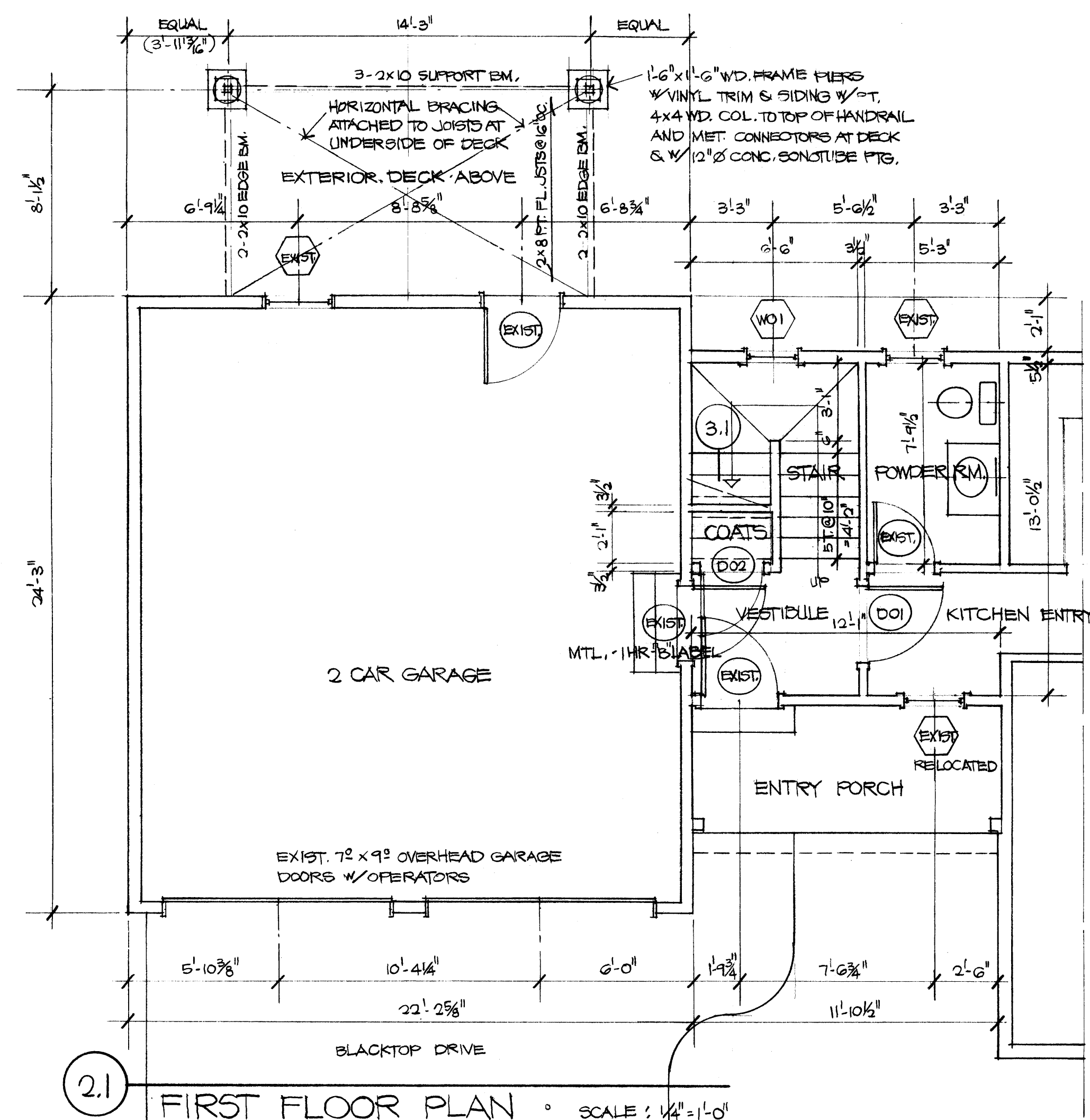
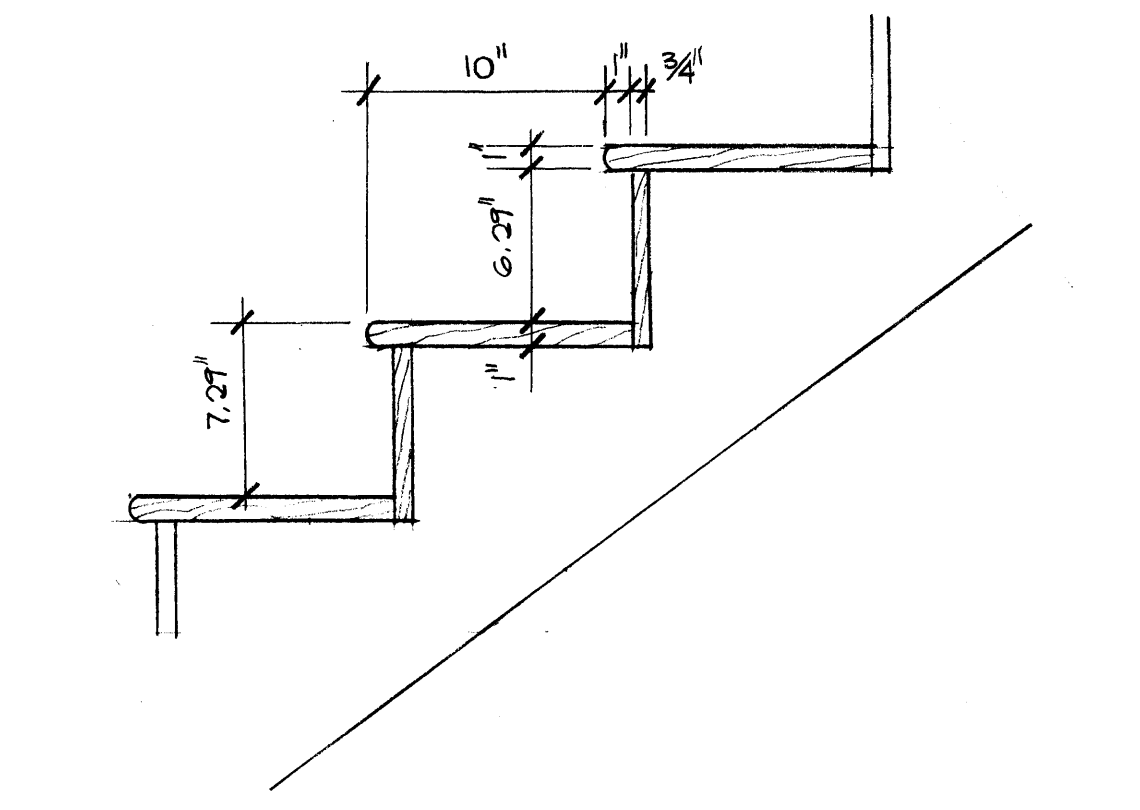
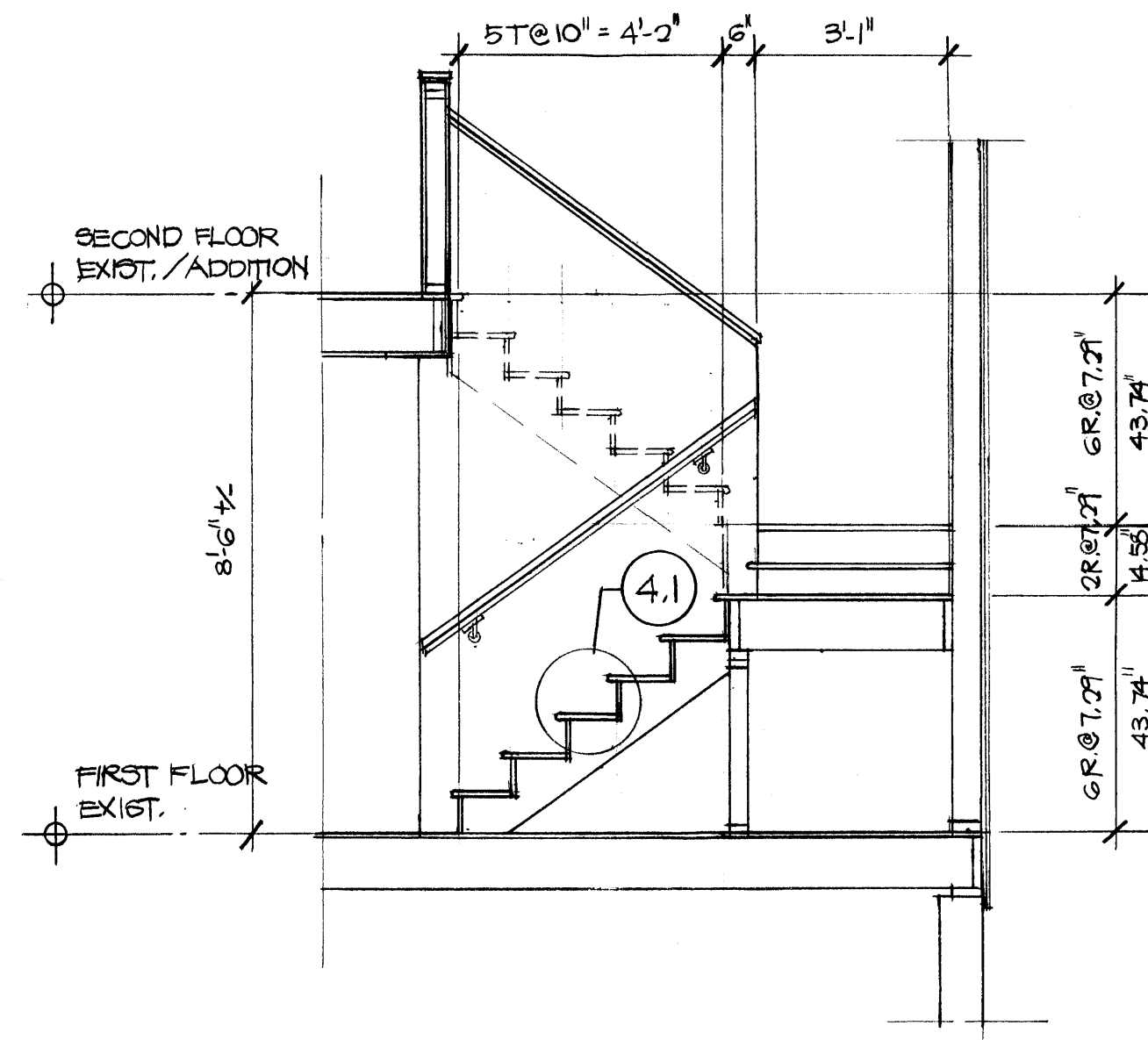


DOOR SCHEDULE					
DESIGNATION	UNIT SIZE	THICKNESS	TYPE	FRAME	REMARKS
D01	3' x 6'	1 1/4"	SOLID CORE PANEL DR.	SOLID JAMB PRE-HUNG	W/ LOCKSET
D02	2'6" x 6'	1 1/4"	SOLID CORE PANEL DR.	SOLID JAMB PRE-HUNG	W/ LATCHSET
D03	2'6" x 6'	1 1/4"	SOLID CORE PANEL DR.	SOLID JAMB PRE-HUNG	W/ LATCHSET
D04	2'6" x 6'	1 1/4"	SOLID CORE PANEL DR.	SOLID JAMB PRE-HUNG	W/ LOCKSET
D05	2'6" x 6'	1 1/4"	SOLID CORE PANEL DR.	POCKET DR.	W/ LATCHSET
D06	2 PR. 1 1/2' x 6'	1 1/4"	SOLID CORE BI-FOLDING	SOLID JAMB	W/ PULLS
D07	6'-10 3/8" x 6'-0"	1 3/4" 1/2 GL.	FENNA-SHIELD GLIDING	FENNA-SHIELD W/ THRESHOLD	ANDERSEN 200CR. PS 6111R

WINDOW SCHEDULE					
DESIGNATION	UNIT SIZE	ROUGH OPNG.	MATERIAL	TYPE	REMARKS / ANDERSEN NO.
W01	2'-0 1/2" x 2'-0 1/2" x (4) STACKED	2'-0 3/8" x 8'-0 3/8"	VINYL CLAD	AWNING	A21 x 4
W02	2'-5 1/2" x 4'-4 1/2"	2'-6 1/8" x 4'-4 1/2"	VINYL CLAD	TILT-WASH DBL-HUNG	TW 2442
W03	2'-5 1/2" x 4'-0 1/2"	2'-6 1/8" x 4'-0 1/2"	VINYL CLAD	TILT-WASH DBL-HUNG	TW 24310
W04	2'-5 1/2" x 3'-4 1/2"	4'-11 1/8" x 3'-4 1/2"	VINYL CLAD	TILT-WASH DBL-HUNG	TW 2432-2
W05	↓	↓	↓	↓	↓
W06	3'-1 1/8" x 4'-8 1/2"	3'-2 1/8" x 4'-8 1/2"	VINYL CLAD	TILT-WASH DBL-HUNG	TW 3046 EGRESS
W07	↓	↓	↓	↓	↓



REVISIONS:
APRIL 20, 2010

ADDITION / RENOVATION • BONUS ROOM W/ WET BAR
DAVID & LAURI-ANN MORAN RESIDENCE
51 DEERWOODS DRIVE, PORTLAND, MAINE 04103 • (207) 878-3294
MERYN C. KELLER, ARCHITECT • 294 PINE STREET, SOUTH PORTLAND, MAINE 04106 • (207) 767-8060

DATE: FEB. 22, 2010
DRAWING NO.: