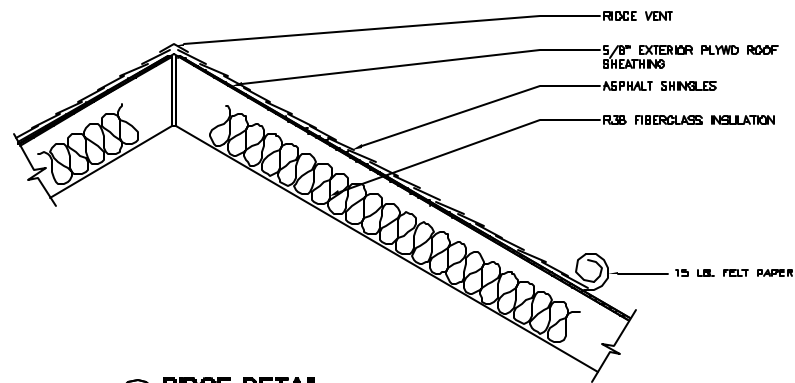
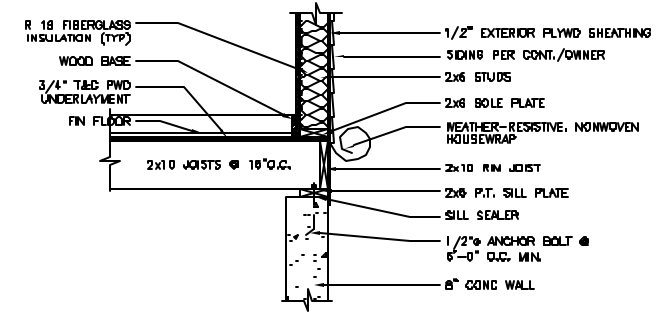


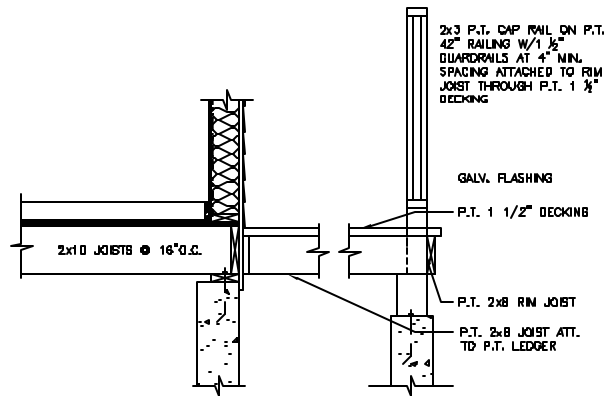
**6 BALCONY FRAMING DETAIL**  
SCALE: 3/4\"/>



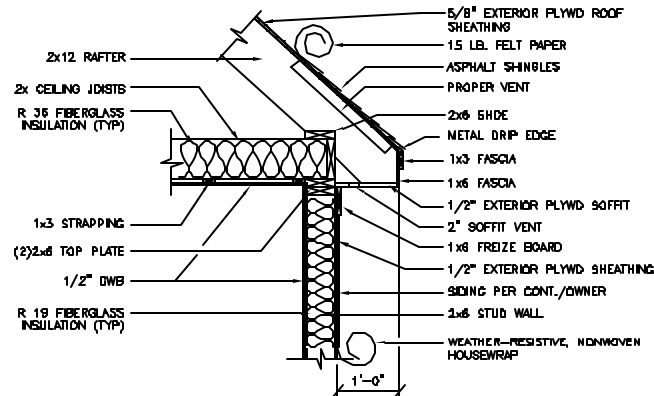
**5 RIDGE DETAIL**  
SCALE: 1/2\"/>



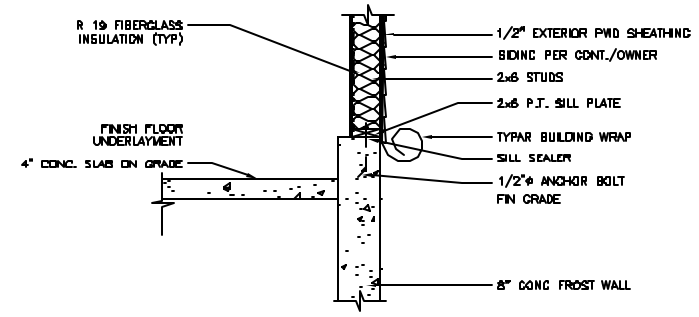
**3 FOUNDATION WALL DETAIL**  
SCALE: 3/4\"/>



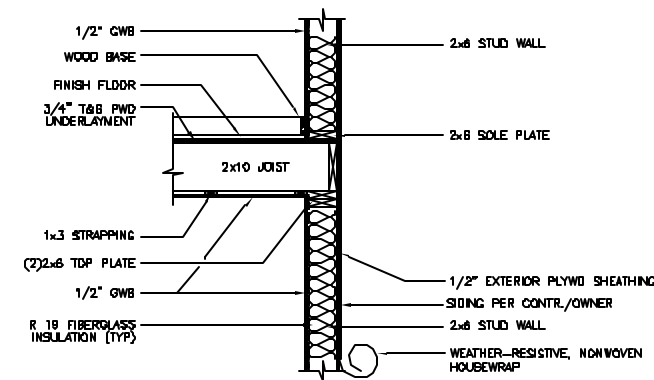
**7 DECK FRAMING DETAIL**  
SCALE: 3/4\"/>



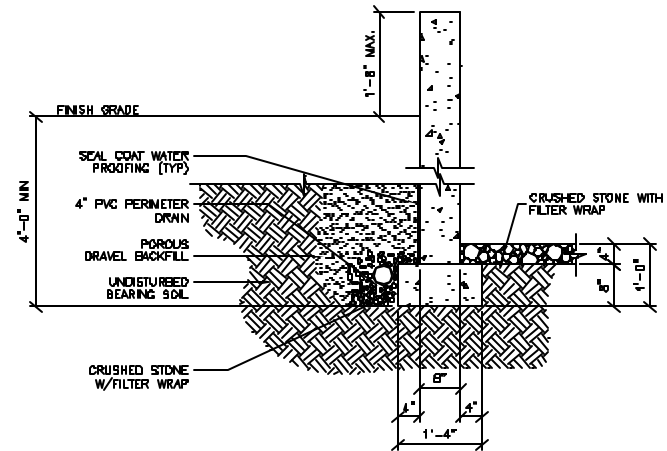
**8 SOFFIT/EAVE DETAIL**  
SCALE: 3/4\"/>



**2 GARAGE WALL DETAIL**  
SCALE: 1/2\"/>



**4 EXTERIOR WALL DETAIL**  
SCALE: 3/4\"/>



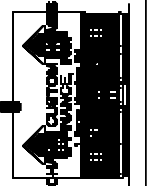
**1 CONG. FOOTING DETAIL**  
SCALE: 3/4\"/>

**NOTE:**  
THIS DRAWING IS PROVIDED FOR INFORMATIONAL PURPOSES ONLY. IT IS NOT TO BE USED FOR CONSTRUCTION. THE CONTRACTOR SHALL BE RESPONSIBLE FOR OBTAINING ALL NECESSARY PERMITS AND LOCAL CODE COMPLIANCE. ALL DIMENSIONS, PLANS, SPECIFICATIONS, ETC. ARE PROVIDED TO OUR CLIENTS BASED UPON INFORMATION PROVIDED BY THE CLIENT AND DESIGNER IN ACCORDANCE WITH OUR STANDARD PRACTICES AND LOCAL CODES. NONE OF THE SERVICES OF THIS OFFICE, INCLUDING ARCHITECTURAL, ENGINEERING, OR SURVEYING, SHALL BE RENDERED BY THIS OFFICE OR ANY OF ITS EMPLOYEES OR AGENTS WITHOUT THE WRITTEN CONSENT OF THE CLIENT AND/OR CONTRACTOR BEFORE ACTUAL CONSTRUCTION. BEYOND THE SCOPE OF OUR SERVICES, WE SHALL NOT BE HELD LIABLE FOR ANY DESIGN OR CONSTRUCTION DEFECTS, INCLUDING BUT NOT LIMITED TO, THE DESIGN OR CONSTRUCTION OF ANY STRUCTURE OR SYSTEM, OR ANY OTHER MATTER ARISING OUT OF OR IN CONNECTION WITH THE SERVICES PROVIDED BY US OR ANY OF OUR EMPLOYEES OR AGENTS. THIS NOTE SHALL BE A PART OF ANY CONTRACT OR AGREEMENT BETWEEN OUR CLIENT AND/OR CONTRACTOR.

PROPERTY OF



**AMERO RESIDENCE**  
PORTLAND, MAINE



REVISION: 2 DES 04  
CODE: 1999  
TOWN:  
DATE: 8 NOV 04  
SCALE: AS NOTED  
DRAWN: T.J.F.  
TITLE: DETAILS

FILE: 04-0009  
SHEET: **A6**