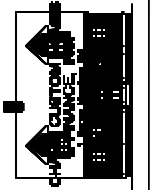
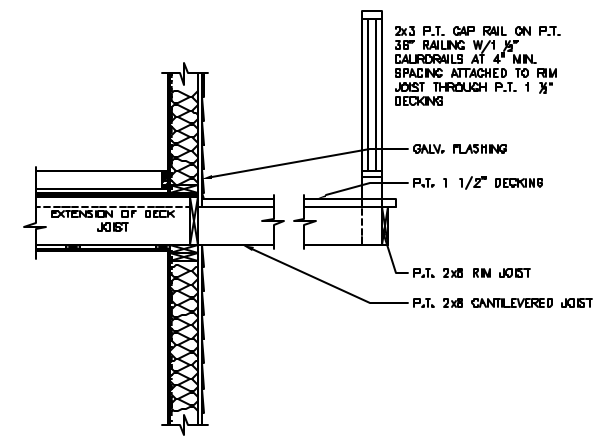


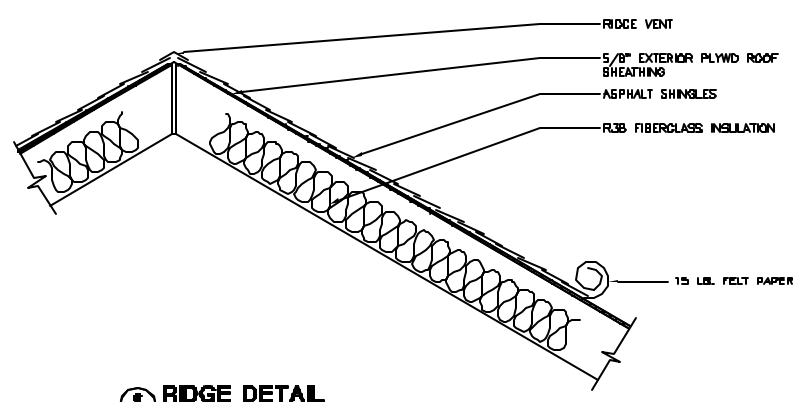
AMERO RESIDENCE
 PORTLAND, MAINE



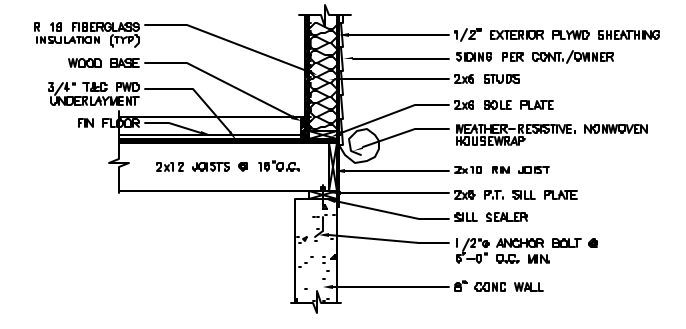
REVISED: 2 DEC 04
 CODE: 1999
 TOWN:
 DATE: 8 NOV 04
 SCALE: AS NOTED
 DRAWN: T.J.F.
 TITLE: DETAILS
 FILE: 04-0009
 SHEET: **A6**



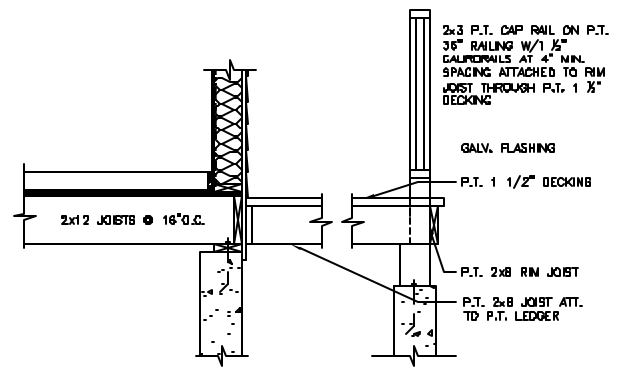
1 BALCONY FRAMING DETAIL
 SCALE: 3/4\"/>



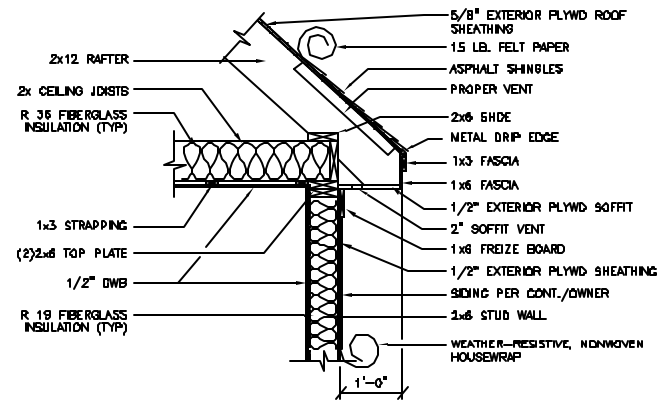
2 RIDGE DETAIL
 SCALE: 1/2\"/>



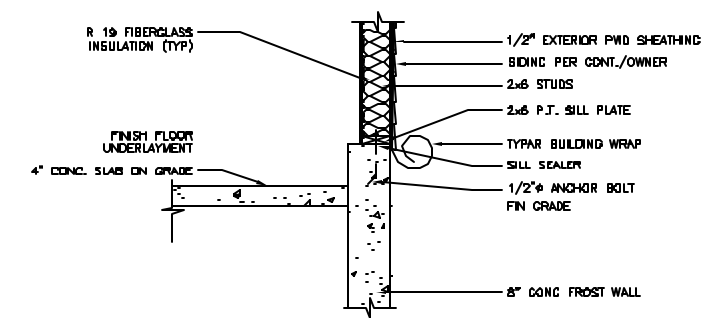
3 FOUNDATION WALL DETAIL
 SCALE: 3/4\"/>



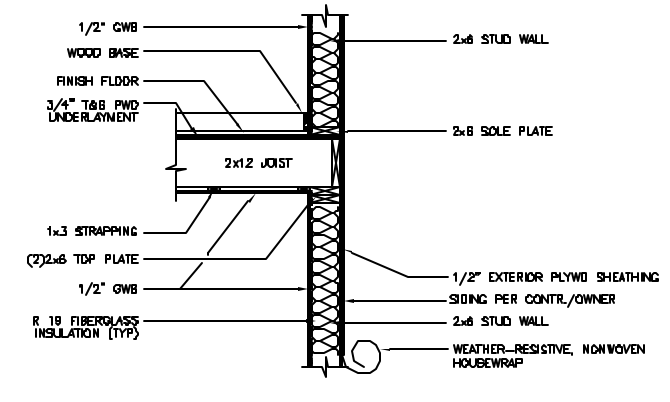
4 DECK FRAMING DETAIL
 SCALE: 3/4\"/>



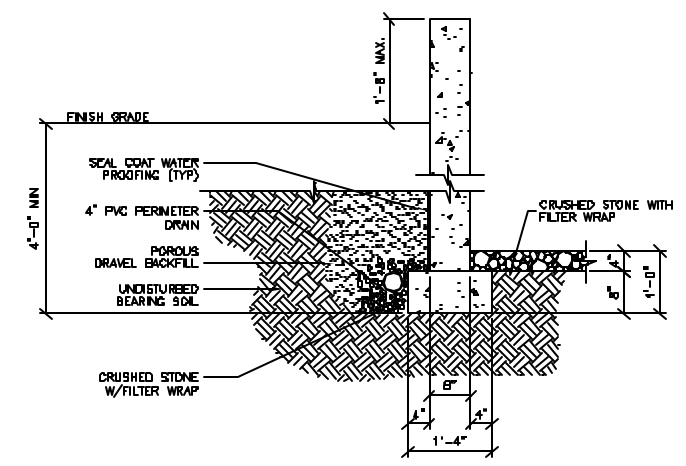
5 SOFFIT/EAVE DETAIL
 SCALE: 3/4\"/>



6 GARAGE WALL DETAIL
 SCALE: 1/2\"/>



7 EXTERIOR WALL DETAIL
 SCALE: 3/4\"/>



8 CONG. FOOTING DETAIL
 SCALE: 3/4\"/>

NOTE:
 THIS DRAWING IS PROVIDED FOR INFORMATIONAL PURPOSES ONLY.
 IT IS NOT TO BE USED FOR CONSTRUCTION. THE CONTRACTOR SHALL BE RESPONSIBLE FOR OBTAINING ALL NECESSARY PERMITS AND LOCAL CODE COMPLIANCE.
 ALL DIMENSIONS, PLANS, ELEVATIONS, ETC. ARE PROVIDED TO OUR CLIENTS BASED UPON INFORMATION PROVIDED BY THE CLIENT AND DESIGNER IN ACCORDANCE WITH OUR STANDARD PRACTICES AND LOCAL CODES. NONE OF THE SERVICES OF FMC CADD, CRAFTING SERVICES, INC. ARE GUARANTEED OR WARRANTED. PROGRAMS OR LOGS REVISED, ALL DIMENSIONS AND SPECIFICATIONS SHALL BE VERIFIED BY CLIENT AND/OR CONTRACTOR BEFORE ACTUAL CONSTRUCTION.
 SHOULD THE CLIENT OR CONTRACTOR REQUIRE ACTUAL CONSTRUCTION, FMC CADD, CRAFTING SERVICES, INC. SHALL BE HELD HARMLESS FOR ANY ERRORS OR OMISSIONS. FMC CADD, CRAFTING SERVICES, INC. ASSUMES NO LIABILITY FOR DAMAGE AND/OR INJURY TO PERSONS OR PROPERTY CAUSED BY CLIENT AND/OR CONTRACTOR.
 AND/OR REVISIONS MADE TO PLANS BY CLIENT AND/OR CONTRACTOR.