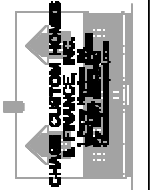
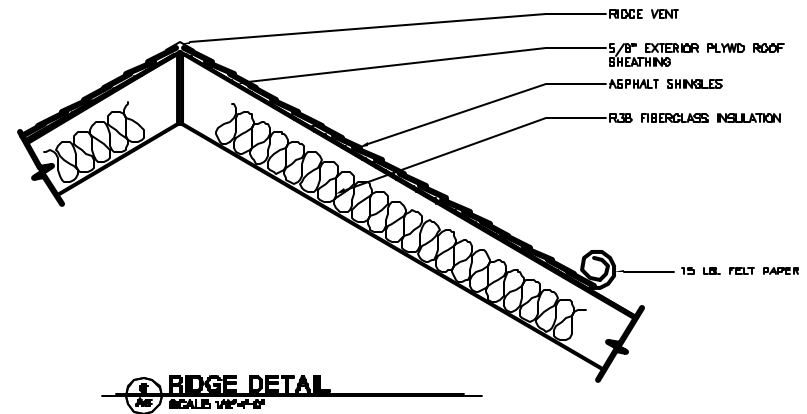


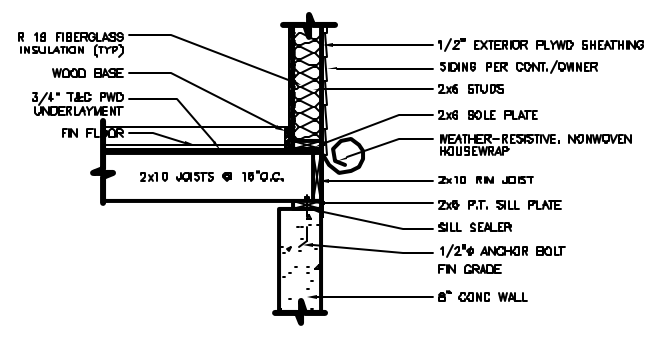
**AMERO RESIDENCE**  
MAINE



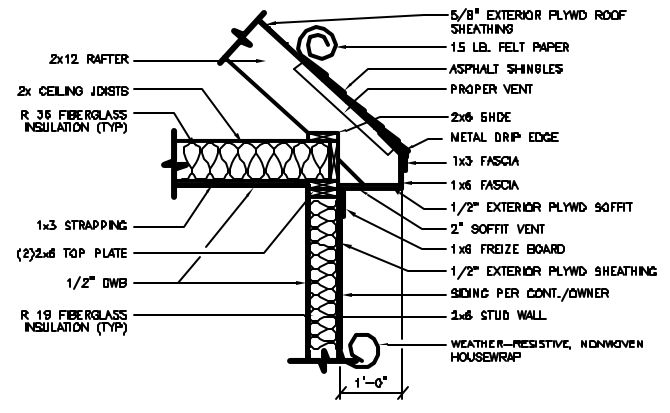
REV#:
CODE: 1999
TOWN:
DATE: 8 NOV 04
SCALE: AS NOTED
DRAWN: T.J.F.
TITLE: DETAILS
FILE: 04-0009
SHEET: <b>A6</b>



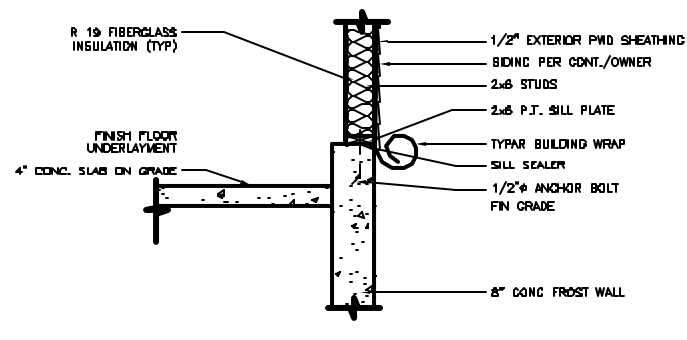
**RIDGE DETAIL**  
SCALE: 1/4"=1'-0"



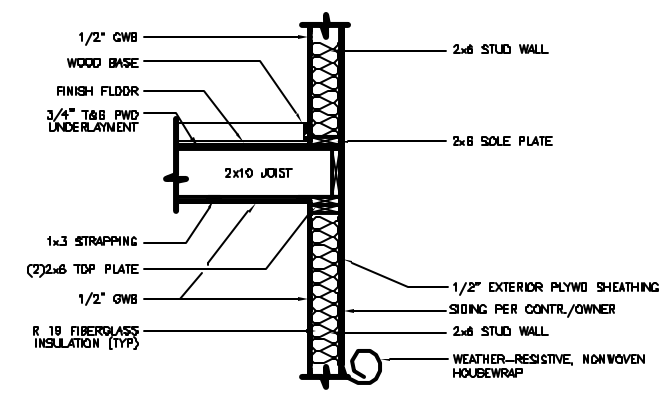
**FOUNDATION WALL DETAIL**  
SCALE: 3/4"=1'-0"



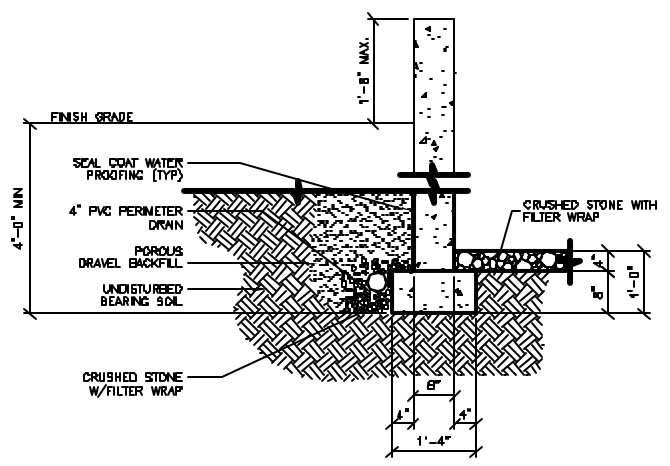
**SOFFIT/EAVE DETAIL**  
SCALE: 3/4"=1'-0"



**GARAGE WALL DETAIL**  
SCALE: 1/2"=1'-0"



**EXTERIOR WALL DETAIL**  
SCALE: 3/4"=1'-0"



**CONC. FOOTING DETAIL**  
SCALE: 3/4"=1'-0"

**NOTE:**  
THIS DRAWING IS PROVIDED FOR INFORMATIONAL PURPOSES ONLY. IT IS NOT TO BE USED FOR CONSTRUCTION. THE CONTRACTOR SHALL VERIFY ALL DIMENSIONS AND CONDITIONS FOR LOCAL CODE COMPLIANCE. ALL DIMENSIONS, PLANS, SPECIFICATIONS, ETC. ARE PROVIDED TO OUR CLIENTS BASED UPON INFORMATION PROVIDED BY THE CLIENT AND DESIGNER IN ACCORDANCE WITH OUR STANDARD PRACTICES AND LOCAL CODES. NONE OF THE SPECIFICATIONS OF THIS DRAWING REPRESENTS, IS, OR REPRESENTS AN ARCHITECT, ENGINEER OR LAND SURVEYOR. ALL DIMENSIONS AND SPECIFICATIONS SHALL BE VERIFIED BY CLIENT AND/OR CONTRACTOR BEFORE ACTUAL CONSTRUCTION. DESIGN PROFESSIONAL SERVICES SHALL BE HELD HARMLESS BY CLIENT AND/OR CONTRACTOR BEFORE ACTUAL CONSTRUCTION. DESIGN PROFESSIONAL SERVICES, INC. ASSUMES NO LIABILITY FOR DAMAGE TO OR LOSS OF ANYTHING CAUSED BY CLIENT AND/OR CONTRACTOR.