

City of Portland, Maine - Building or Use Permit Application
 389 Congress Street, 04101 Tel: (207) 874-8703, Fax: (207) 874-8716

| | | |
|-----------------------|----------------------------|---------------------|
| Permit No: 04-0188 | Issue Date: MAR 05 2004 | COL: B92 A013001 |
|-----------------------|----------------------------|---------------------|

| | | | |
|---|----------------------------------|---------------------------------|--------|
| Location of Construction: 208 Hope Ave | Owner Name: Smith Stephen L & | Owner Address: 142 Lane Ave | Phone: |
| Business Name: | Contractor Name: Owner | Contractor Address: Portland | Phone: |
| Lessee/Buyer's Name | Phone: | Permit Type: HVAC | Zone: |

| | | | | |
|---------------------------------|---|------------------------|-----------------------------|--------------------|
| Past Use: Single Family Home | Proposed Use: Single Family Home/ Install Burnham/ Beckett Oil Fired Boiler in Basement. | Permit Fee: \$66.00 | Cost of Work: \$5,000.00 | CEO District: 5 |
|---------------------------------|---|------------------------|-----------------------------|--------------------|

| | |
|---|--|
| Proposed Project Description: Install Burnham/ Beckett Oil Fired Boiler in Basement. | FIRE DEPT: <input type="checkbox"/> Approved <input checked="" type="checkbox"/> Denied INSPECTION: Use Group: <i>R/V</i> Type: <i>Heating</i> <i>BOLA Mechanical</i> 199B Signature: _____ Signature: _____ |
|---|--|

| | | | |
|-----------------------------|---------------------------------|------------------------|--|
| Permit Taken By: Idobson | Date Applied For: 03/03/2004 | Zoning Approval | |
|-----------------------------|---------------------------------|------------------------|--|

| | | | |
|--|--|--|--|
| 1. This permit application does not preclude the Applicant(s) from meeting applicable State and Federal Rules. 2. Building permits do not include plumbing, septic or electrical work. 3. Building permits are void if work is not started within six (6) months of the date of issuance. False information may invalidate a building permit and stop all work.. | Special Zone or Reviews <input type="checkbox"/> Shoreland <input type="checkbox"/> Wetland <input type="checkbox"/> Flood Zone <input type="checkbox"/> Subdivision <input type="checkbox"/> Site Plan Maj <input type="checkbox"/> Minor <input type="checkbox"/> MM <input type="checkbox"/> Date: _____ | Zoning Appeal <input type="checkbox"/> Variance <input type="checkbox"/> Miscellaneous <input type="checkbox"/> Conditional Use <input type="checkbox"/> Interpretation <input type="checkbox"/> Approved <input type="checkbox"/> Denied Date: _____ | Historic Preservation <input type="checkbox"/> Not in District or Landmark <input type="checkbox"/> Does Not Require Review <input type="checkbox"/> Requires Review <input type="checkbox"/> Approved <input type="checkbox"/> Approved w/Conditions <input type="checkbox"/> Denied Date: _____ |
|--|--|--|--|

CERTIFICATION

I hereby certify that I am the owner of record of the named property, or that the proposed work is authorized by the owner of record and that I have been authorized by the owner to make this application as his authorized agent and I agree to conform to all applicable laws of this jurisdiction. In addition, if a permit for work described in the application is issued, I certify that the code official's authorized representative shall have the authority to enter all areas covered by such permit at any reasonable hour to enforce the provision of the code(s) applicable to such permit.

| | | | |
|---|---------|------|-------|
| SIGNATURE OF APPLICANT | ADDRESS | DATE | PHONE |
| RESPONSIBLE PERSON IN CHARGE OF WORK, TITLE | | DATE | PHONE |

Form # P 04

DISPLAY THIS CARD ON PRINCIPAL FRONTAGE OF WORK CITY OF PORTLAND

BUILDING INSPECTION

Permit Number: 040188

Please Read
Application And
Notes, If Any,
Attached

PERMIT

This is to certify that Smith Stephen L & /Owner
has permission to Install Burnham/ Beckett Oil Fired Boiler Replacement.
AT 208 Hope Ave PORTLAND ME 04103 392 A013001

provided that the person or persons firm or corporation accepting this permit shall comply with all of the provisions of the Statutes of Maine and of the Ordinances of the City of Portland regulating the construction, maintenance and use of buildings and structures, and of the application on file in this department.

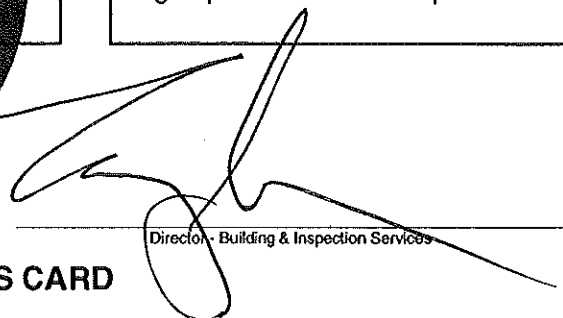
Apply to Public Works for street line and grade if nature of work requires such information.

Notification of inspection must be given and when permission procured before this building or part thereof is started or otherwise closed-in. 24 HOUR NOTICE IS REQUIRED.

A certificate of occupancy must be procured by owner before this building or part thereof is occupied.

OTHER REQUIRED APPROVALS

Fire Dept. _____
Health Dept. _____
Appeal Board _____
Other _____
Department Name


Director - Building & Inspection Services

PENALTY FOR REMOVING THIS CARD

City of Portland, Maine - Building or Use Permit

389 Congress Street, 04101 Tel: (207) 874-8703, Fax: (207) 874-8716

| | | |
|-----------------------|---------------------------------|---------------------|
| Permit No: 04-0188 | Date Applied For: 03/03/2004 | CBL: 392 A013001 |
|-----------------------|---------------------------------|---------------------|

| | | | |
|---|----------------------------------|---------------------------------|--------|
| Location of Construction: 208 Hope Ave | Owner Name: Smith Stephen L & | Owner Address: 142 Lane Ave | Phone: |
| Business Name: | Contractor Name: Owner | Contractor Address: Portland | Phone: |
| Lessee/Buyer's Name | Phone: | Permit Type: HVAC | |

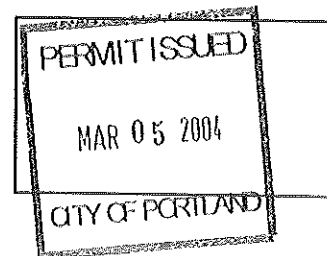
| | |
|---|---|
| Proposed Use: Single Family Home/ Install Burnham/ Beckett Oil Fired Boiler in Basement. | Proposed Project Description: Install Burnham/ Beckett Oil Fired Boiler in Basement. |
|---|---|

| | | | |
|--------------|------------------|------------------------|--|
| Dept: Zoning | Status: Approved | Reviewer: Tammy Munson | Approval Date: 03/04/2004 |
| Note: | | | Ok to Issue: <input checked="" type="checkbox"/> |

| | | | |
|--|----------------------------------|------------------------|--|
| Dept: Building | Status: Approved with Conditions | Reviewer: Tammy Munson | Approval Date: 03/04/2004 |
| Note: | | | Ok to Issue: <input checked="" type="checkbox"/> |
| 1) Installation shall comply with 1993 BOCA Mechanical Code and State of Maine Oil and Solid Fuel Board Laws and Rules | | | |



FILL IN AND SIGN WITH INK



APPLICATION FOR PERMIT HEATING OR POWER EQUIPMENT

To the INSPECTOR OF BUILDINGS, PORTLAND, ME.

The undersigned hereby applies for a permit to install the following heating, cooking or power equipment in accordance with the Laws of Maine, the Building Code of the City of Portland, and the following specifications:

392 A 13

Location / CBL 208 Hope Ave.

Use of Building single family home Date 4-3-04

Name and address of owner of appliance Stephen L. Smith

Installer's name and address Stephen L. Smith, 142 Lane Ave, Portland ME 04103

Telephone 650-9299

Location of appliance:

- Basement
- Attic
- Floor
- Roof

Type of Fuel:

- Gas
- Oil
- Solid

Appliance Name: Burner / Becket

U.L. Approved Yes No

Will appliance be installed in accordance with the manufacture's installation instructions? Yes No

IF NO Explain: _____

The Type of License of Installer:

- Master Plumber # _____
- Solid Fuel # _____
- Oil # _____
- Gas # _____
- Other Home owner

Type of Chimney:

- Masonry Lined
Factory built _____
- Metal
Factory Built U.L. Listing # _____
- Direct Vent
Type _____ UL# _____

Type of Fuel Tank

- Oil
- Gas

Size of Tank 330 gal

Number of Tanks 1

Distance from Tank to Center of Flame 6' 10" feet.

Cost of Work: \$ 5,000

Permit Fee: \$ 6600

Approved

Approved with Conditions

Fire: _____

Ele.: _____

Bldg.: _____

- See attached letter or requirement

Signature of Installer Stephen L. Smith

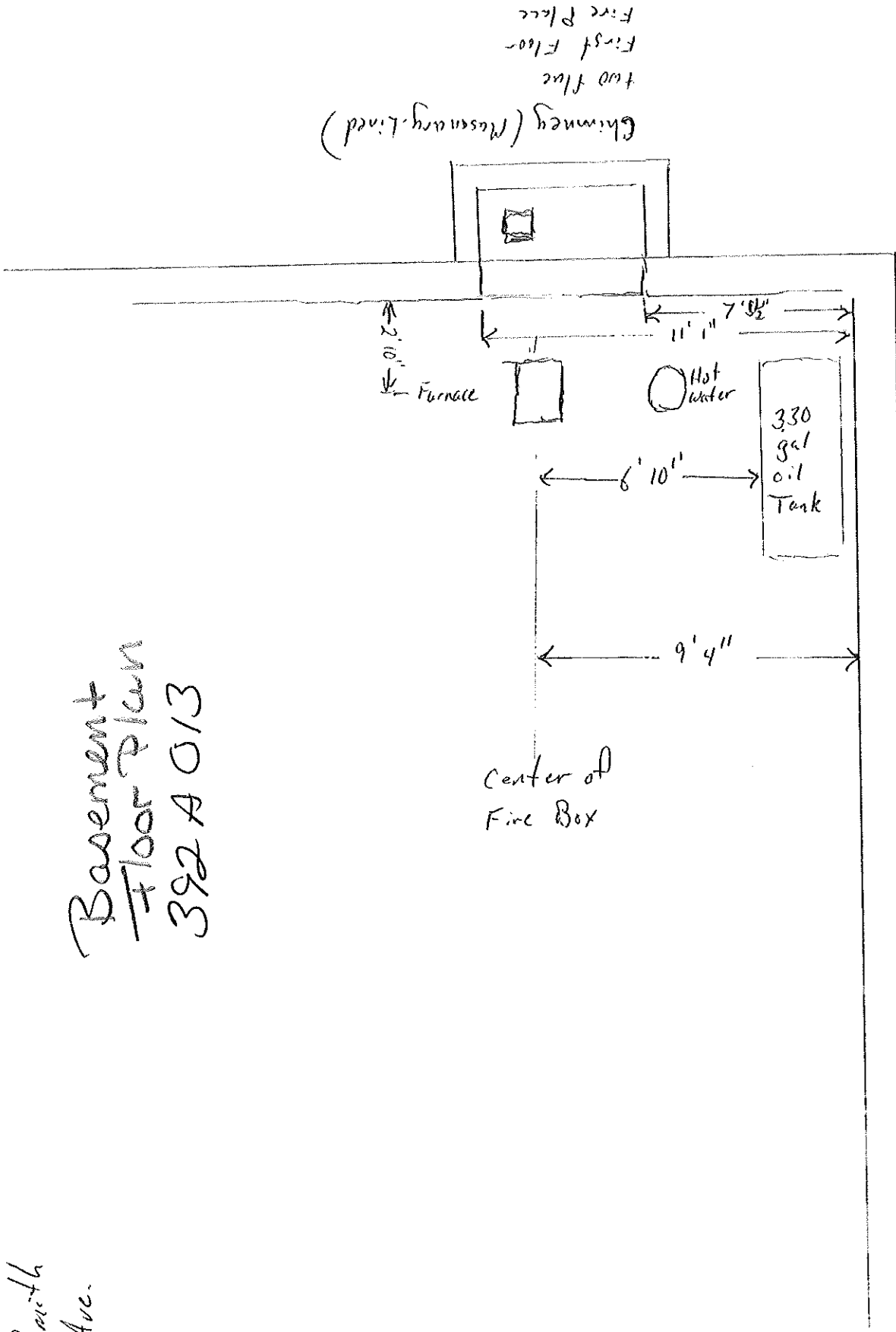
Inspector's Signature _____

Date Approved _____

Cash

Stephen Smith
208 Hope Ave.

Basement
Floor Plan
392 A 013



two flue
First Floor
Fire Place

8' Foundation
wall

Front (Street Side) of House

392 A 013



Supplemental Instructions

Beckett AFG Burner Specifications and Repair Part Revisions V8 Series Oil Boiler

These instructions supplement information contained in *Installation, Operating and Service Instructions for V8 Series Oil-Fired Boiler*, Part No. 8142824. Follow supplemental instructions and details outlined below unless directed otherwise.

WARNING

Prior to attempting any service on this boiler, read, understand and follow all instructions as outlined in this supplement and also the Installation, Operating and Service Instructions which was provided with the boiler.

GENERAL INFORMATION

A. These instructions contain revised information for the Beckett AFG burner specifications and repair parts used on Models V83 and V84 as listed in the following Tables:

TABLE 6: BECKETT AFG BURNER SPECIFICATIONS

| Boiler Model | Firing Rate GPH | Beckett AFG | | | | |
|-------------------|-----------------|----------------|-------------|----------|------------------|-----------------|
| | | Settings | | | ◆ Nozzle | ● Pump Pressure |
| | | Head (Setting) | Air Shutter | Air Band | GPH x Angle Type | |
| V82W | 0.60 | L1 | 7 | 0 | 0.50 x 60A | 140 |
| ■ V83S ■ V83WM | 0.75 | L1 | 10 | .5 | 0.60 x 60A | 140 |
| V83W | 1.05 | L1 | 10 | 1.5 | 0.85 x 60A | 140 |
| V84S V84WM | 1.05 | V1 (0) | 10 | .5 | 0.85 x 60A | 140 |
| V84W | 1.35 | V1 (0) | 10 | 2 | 1.10 x 60B HAGO | 140 |
| V85S V85WM | 1.35 | V1 (0) | 10 | 1 | 1.10 x 60B | 140 |
| V85W | 1.65 | V1 (2) | 10 | 5 | 1.35 x 60B | 140 |
| V86S V86WM | 1.65 | V1 (2) | 10 | 3 | 1.35 x 60B | 140 |
| V86W | 1.90 | V1 (3) | 10 | 3.5 | 1.50 x 45B | 160 |
| V87S V87W | 2.10 | V1 (4) | 10 | 3 | 1.65 x 45B HAGO | 170 |
| V88S V88W | 2.35 | V1 (4) | 10 | 5 | 1.75 x 45B HAGO | 170 |
| V89S V89W | 2.60 | V1 (6) | 10 | 7 | 2.00 x 45P HAGO | 170 |

■ Beckett builds that utilize a low firing rate baffle:
 V83S Packaged Boiler (Installed in burner)
 V83WM Packaged Boiler [shipped loose; install for low firing rate (0.75 GPH) application]
 V83W/S Knockdown Boiler - burner carton [shipped loose; install for low firing rate (0.75 GPH) application]

◆ All burners utilize Delavan nozzles unless otherwise noted.
 ● Single stage fuel pump is standard, two stage fuel pump is optional. Single stage pump pressure was preset by burner manufacturer to settings shown in table above. Two stage pump pressure was factory set at 100 psi and must be readjusted to settings shown above during burner start-up.

BECKETT OIL BURNER PART NOS. FOR V8 SERIES BOILERS

NOTE: When ordering parts always give the serial and model numbers shown on the boiler and burner. Also provide the name of the part(s) and part number as listed below.

| Boiler Model | V82 | V83 | V84 | V85 |
|--------------------------------|----------|------------|------------|----------|
| Air Tube Combination | AFG70MB | AFG70MMAQN | AFG70MDAQN | AFG70MD |
| Beckett's Spec No. | BCB7319 | BCB7322V | BCB7325V | BCB7328 |
| Air Band | 3626 | 3492 | 3492 | 3492 |
| Air Band Nut | 4150 | 4150 | 4150 | 4150 |
| Air Band Screw | 4198 | 4198 | 4198 | 4198 |
| Air Shutter | 32211 | 3709 | 3709 | 3709 |
| Air Shutter Screw | 4198 | 4198 | 4198 | 4198 |
| Blower Wheel | 2999 | 2999 | 2999 | 2999 |
| Coupling | 2454 | 2454 | 2454 | 2454 |
| Low Firing Rate Baffle | --- | 5880 [1] | --- | --- |
| Bulkhead Knurled Locknut | 3-666 | 3-666 | 3-666 | 3-666 |
| Connector Tube Assembly | 5636 | 5636 | 5636 | 5636 |
| Electrode Clamp | 1-49 | 1-49 | 1-49 | 1-49 |
| Electrode Clamp Screw | 4219 | 4219 | 4219 | 4219 |
| Electrode Insulator Assembly | 5780 | 5780 | 5780 | 5780 |
| Spider Spacer Assembly | 5-503 | 5-503 | 5-503 | 5-503 |
| Escutcheon Plate | 3493 | 3493 | 5941 | 5941 |
| Adjusting Plate Assembly | --- | --- | | |
| Head | 5912 | 5912 | 5913 | 5913 |
| Head Screws | 4221 | 4221 | 4221 | 4221 |
| Flange Gasket | 31498 | 31498 | 31498 | 31498 |
| AFG Housing | 5877 | 5877 | 5877 | 5877 |
| Motor | 21805 | 21805 | 21805 | 21805 |
| Nozzle Adapter | 2-13 | 2-13 | 2-13 | 2-13 |
| Nozzle Line Electrode Assembly | NL70MB | NL70MM | NL70MD | NL70MD |
| Oil Pump, Clean Cut | 2184404U | 2184404U | 2184404U | 2184404U |
| Static Plate | 3384 | 3384 | 3383P | 3383P |
| Ignitor | 51771U | 51771U | 51771U | 51771U |
| Ignitor Hinge Screw | 4217 | 4217 | 4217 | 4217 |
| Ignitor Holding Screw | 4292 | 4292 | 4292 | 4292 |
| Ignitor Gasket Kit | 51304 | 51304 | 51304 | 51304 |
| Wire Guard | 10251 | 10251 | 10251 | 10251 |
| Junction Box | 5770 | 5770 | 5770 | 5770 |
| Flame Detector | 7006 | 7006 | 7006 | 7006 |
| Oil Solenoid Valve Coil | 21755 | 21755 | 21755 | 21755 |
| Oil Solenoid Valve Cord | 21807 | 21807 | 21807 | 21807 |

[1] 5880 used on V83S and V83WM firing rates only

(continued on Next Page)

BECKETT OIL BURNER PART NOS. FOR V8 SERIES BOILERS (continued)

NOTE: When ordering parts always give the serial and model numbers shown on the boiler and burner. Also provide the name of the part(s) and part number as listed below.

| Boiler Model | V86 | V87 | V88 | V89 |
|--------------------------------|----------|----------|----------|----------|
| Air Tube Combination | AFG70MD | AFG70MD | AFG70MD | AFG70MD |
| Beckett's Spec No. | BCB7331 | BCB7332 | BCB7333 | BCB7334 |
| Air Band | 3492 | 3492 | 3492 | 3492 |
| Air Band Nut | 4150 | 4150 | 4150 | 4150 |
| Air Band Screw | 4198 | 4198 | 4198 | 4198 |
| Air Shutter | 3709 | 3709 | 3709 | 3709 |
| Air Shutter Screw | 4198 | 4198 | 4198 | 4198 |
| Blower Wheel | 2999 | 2999 | 2999 | 2999 |
| Coupling | 2454 | 2454 | 2454 | 2454 |
| Low Firing Rate Baffle | --- | --- | --- | --- |
| Bulkhead Knurled Locknut | 3-666 | 3-666 | 3-666 | 3-666 |
| Connector Tube Assembly | 5636 | 5636 | 5636 | 5636 |
| Electrode Clamp | 1-49 | 1-49 | 1-49 | 1-49 |
| Electrode Clamp Screw | 4219 | 4219 | 4219 | 4219 |
| Electrode Insulator Assembly | 5780 | 5780 | 5780 | 5780 |
| Spider Spacer Assembly | 5-503 | 5-503 | 5-503 | 5-503 |
| Escutcheon Plate | 5941 | 5941 | 5941 | 5941 |
| Adjusting Plate Assembly | | | | |
| Head | 5913 | 5913 | 5913 | 5913 |
| Head Screws | 4221 | 4221 | 4221 | 4221 |
| Flange Gasket | 31498 | 31498 | 31498 | 31498 |
| AFG Housing | 5877 | 5877 | 5877 | 5877 |
| Motor | 21805 | 21805 | 21805 | 21805 |
| Nozzle Adapter | 2-13 | 2-13 | 2-13 | 2-13 |
| Nozzle Line Electrode Assembly | NL70MD | NL70MD | NL70MD | NL70MD |
| Oil Pump, Clean Cut | 2184404U | 2184404U | 2184404U | 2184404U |
| Static Plate | 3383P | 3383P | 3383P | 3383P |
| Ignitor | 51771U | 51771U | 51771U | 51771U |
| Ignitor Hinge Screw | 4217 | 4217 | 4217 | 4217 |
| Ignitor Holding Screw | 4292 | 4292 | 4292 | 4292 |
| Ignitor Gasket Kit | 51304 | 51304 | 51304 | 51304 |
| Wire Guard | 10251 | 10251 | 10251 | 10251 |
| Junction Box | 5770 | 5770 | 5770 | 5770 |
| Flame Detector | 7006 | 7006 | 7006 | 7006 |
| Oil Solenoid Valve Coil | 21755 | 21755 | 21755 | 21755 |
| Oil Solenoid Valve Cord | 21807 | 21807 | 21807 | 21807 |

INSTALLATION INFORMATION

BECKETT CLEANCUT FUEL UNIT

Part No. 21844

Part No. 21844

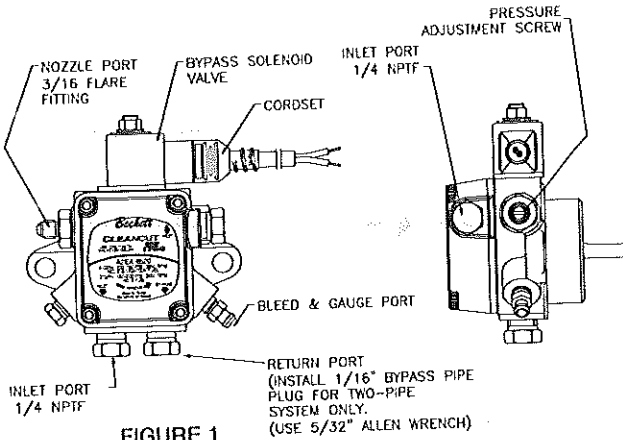


FIGURE 1

Notice Special Requirements

CAUTION: This Equipment must be installed, adjusted and started only by a qualified service technician. — an individual or agency, licensed and experienced with all codes and ordinances, who is responsible for the installation and adjustment of the equipment. The installation must comply with all local codes and ordinances and with the National Fire Protection Standard for Liquid Fuel Equipment, NFPA 31 (or CSA B139-M91).

CAUTION: This pump must be used with a control system that provides a valve on delay (pre-purge).

Generation Information • ALL SYSTEMS

IMPORTANT INFORMATION Long or oversized inlet lines may require the pump to operate dry during initial bleeding period. In such cases, the priming may be assisted by injecting fuel oil in the pump gearset. Under lift conditions, lines and fittings must be air tight. To assure this, "Pipe Dope" may be applied to both the used and unused inlet and both return fittings. **DO NOT USE TEFLON TAPE!! DO NOT USE COMPRESSION FITTINGS!!**

MOUNTING POSITION Beckett CleanCut fuel unit may be mounted in any position (except upside-down during single pipe installation).

VACUUM CHECK A Vacuum Gage may be installed in either of the 1/4" NPT inlet ports. The Beckett CleanCut pump should be used where the vacuum does not exceed 6" hg. single pipe and 12" hg. two pipe. Remember, running vacuum is the total of all pressure drops (ΔP) in the system from tank to inlet of pump.

PRESSURE CHECK When a pressure check is made use either the BLEED PORT OR NOZZLE PORT.

CUTOFF CHECK To check cutoff pressure, dead head a pressure gage in nozzle port. Run burner for short period of time. Shut burner off. The pressure will drop and hold above zero.

•CAUTION•

Pressurized or gravity feed installations must not exceed 3 P.S.I. on inlet line or return line at the pump per NFPA 31. A pressure greater than 10 P.S.I. may cause damage to the shaft seal.

Mounting Pump

To install a CleanCut fuel unit on chassis with existing shutter tab see Figure 2 and follow these steps:

Remove existing fuel unit and solenoid valves, if applicable, and appropriately dispose of them.

Note the air setting of the shutter, then remove the air shutter, set the shutter aside to be reinstalled.

Remove the shutter tab by using a pair of side cutter pliers and file sharp edges flush with burner surface. This will permit the shutter to be locked securely.

Install the air shutter using one screw located above the shutter tab that was removed. Adjust the shutter to the original air setting and tighten screw securely.

Notice. Do not install the top shutter screw, it will interfere with the solenoid on the fuel unit.

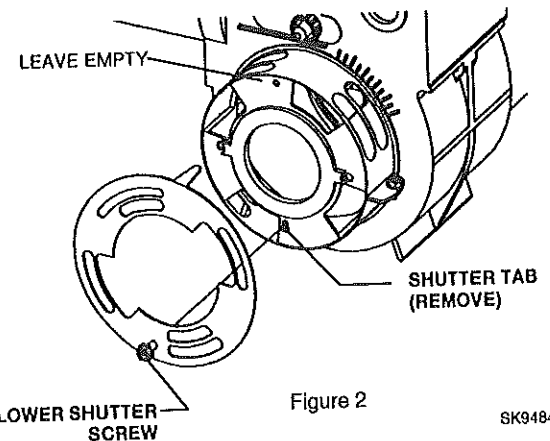


Figure 2

SK9484

To install a CleanCut fuel unit on a housing with two upper mounting screw holes, make sure the upper screw is installed in the hole closest to the front of the burner (air tube side). See Figure 3.

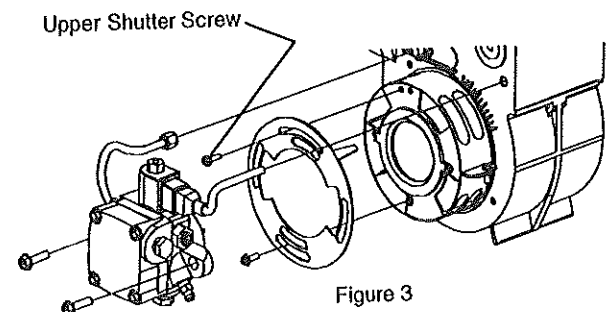


Figure 3

SK9485

392 A 013

City of Portland, Maine - Building or Use Permit

389 Congress Street, 04101 Tel: (207) 874-8703, Fax: (207) 874-8716

| | | |
|-----------------------|---------------------------------|---------------------|
| Permit No: 04-0188 | Date Applied For: 03/03/2004 | CBL: 392 A013001 |
|-----------------------|---------------------------------|---------------------|

| | | | |
|---|----------------------------------|---------------------------------|--------|
| Location of Construction: 208 Hope Ave | Owner Name: Smith Stephen L & | Owner Address: 142 Lane Ave | Phone: |
| Business Name: | Contractor Name: Owner | Contractor Address: Portland | Phone: |
| Lessee/Buyer's Name | Phone: | Permit Type: HVAC | |

| | |
|---|---|
| Proposed Use: Single Family Home/ Install Burnham/ Beckett Oil Fired Boiler in Basement. | Proposed Project Description: Install Burnham/ Beckett Oil Fired Boiler in Basement. |
|---|---|

| | | | |
|--|----------------------------------|------------------------|--|
| Dept: Zoning | Status: Approved | Reviewer: Tammy Munson | Approval Date: 03/04/2004 |
| Note: | | | Ok to Issue: <input checked="" type="checkbox"/> |
| Dept: Building | Status: Approved with Conditions | Reviewer: Tammy Munson | Approval Date: 03/04/2004 |
| Note: | | | Ok to Issue: <input checked="" type="checkbox"/> |
| 1) Installation shall comply with 1993 BOCA Mechanical Code and State of Maine Oil and Solid Fuel Board Laws and Rules | | | |

From: Jay Reynolds
To: Gayle Guertin; Karen Dunfey; Mike Nugent
Date: 3/5/2004 3:48:47 PM
Subject: C. O. for 208 Hope Ave.

Ok to issue temporary C.O., expiration 6/15/04.
Site work incomplete.



CITY OF PORTLAND, MAINE
Department of Building Inspection

Certificate of Occupancy (392-A-13)

LOCATION

Issued to *Smith, Stephen & Ankeora*

Date of Issue *3/5/04*

This is to certify that the building, premises, or part thereof, at the above location, built — altered — changed as to use under Building Permit No. *03-0317*, has had final inspection, has been found to conform substantially to requirements of Zoning Ordinance and Building Code of the City, and is hereby approved for occupancy or use, limited or otherwise, as indicated below.

PORTION OF BUILDING OR PREMISES

Entire

APPROVED OCCUPANCY


Single family Residential

Limiting Conditions:

*This is a temporary which expires on 6/15/04 use group R-3
all site work must be completed by 6/15/04 Type 5-B
IBOCA '99*

This certificate supersedes
certificate issued

Approved:

3/5/04 

(Date)

Inspector

Inspector of Buildings

Notice: This certificate identifies lawful use of building or premises, and ought to be transferred from owner to owner when property changes hands. Copy will be furnished to owner or lessee for one dollar.

*80 Steve Smith
650-9299*