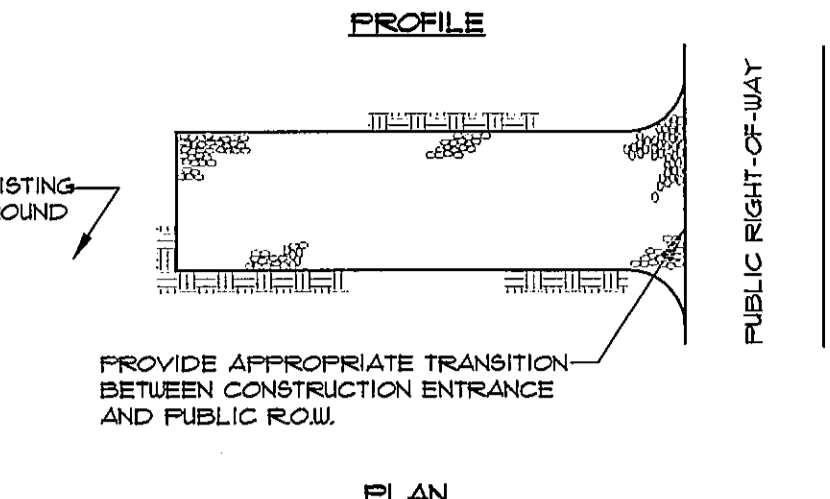
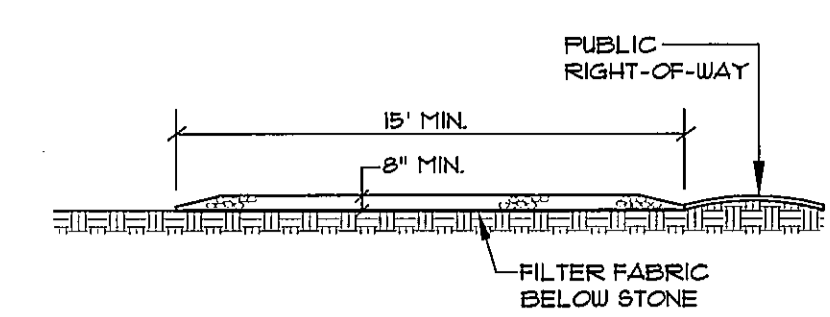
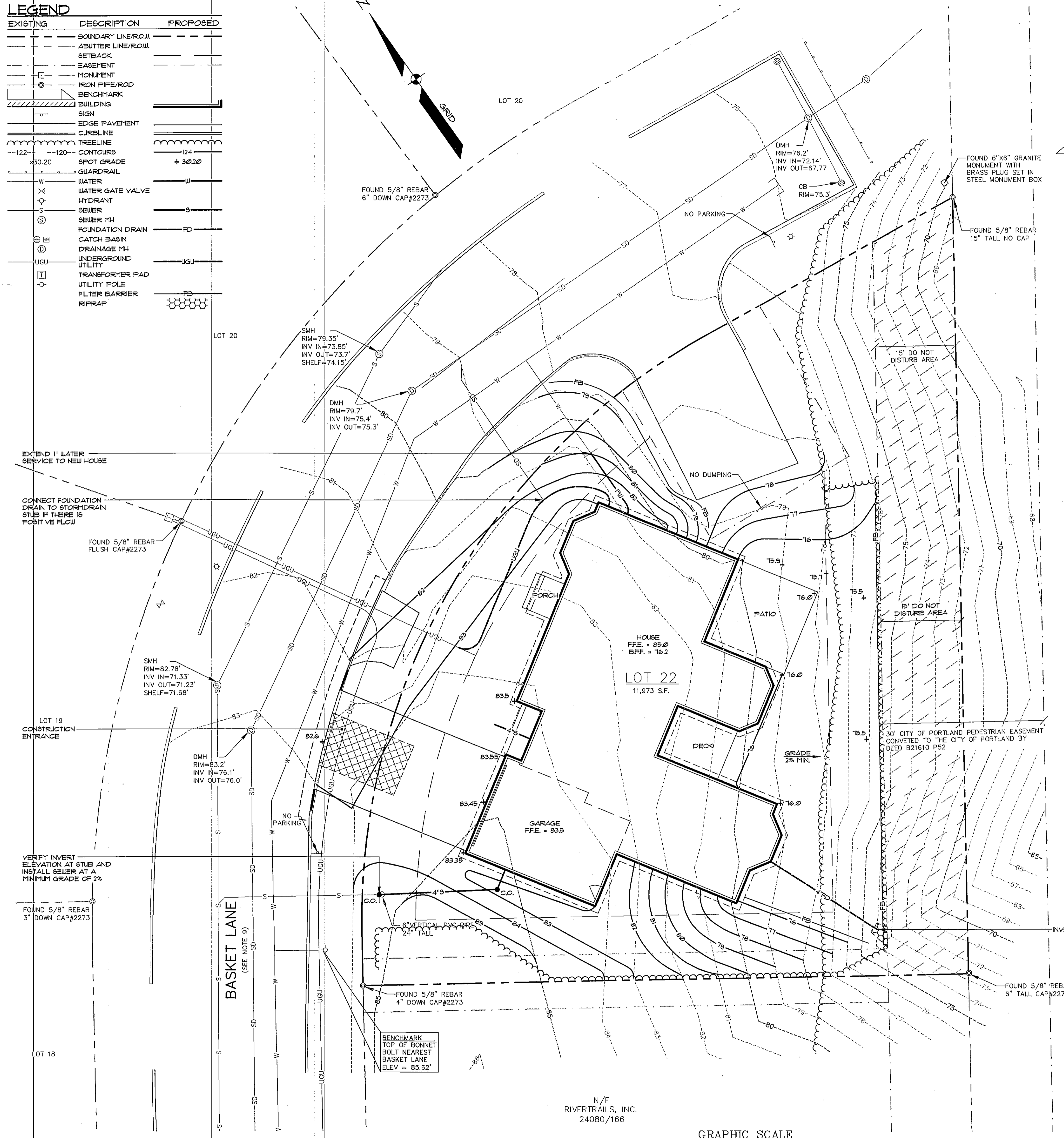
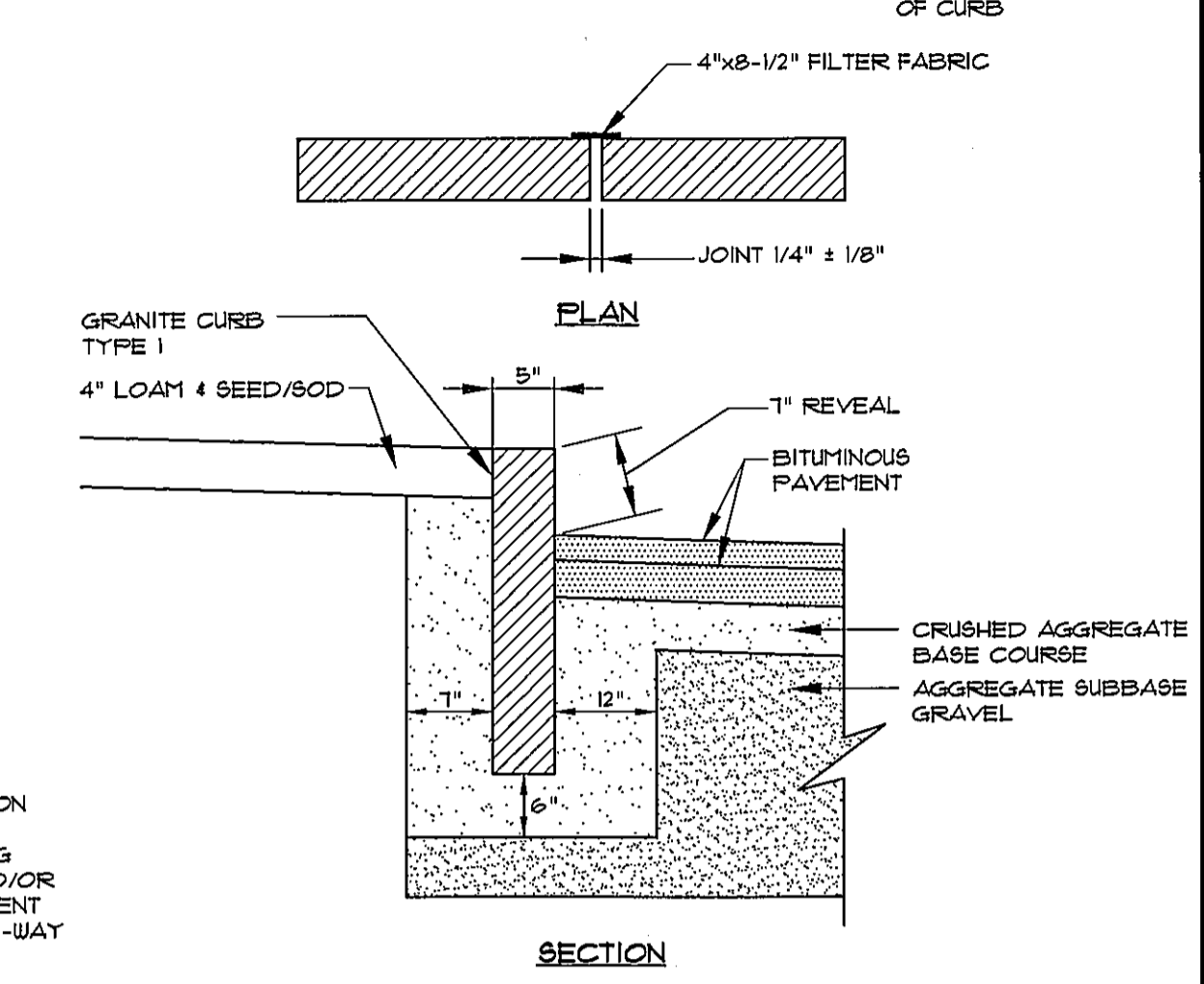


EXISTING	DESCRIPTION	PROPOSED
---	BOUNDARY LINE/ROW	---
---	SETBACK LINE/ROW	---
---	EASEMENT	---
---	MONUMENT	---
---	IRON PIPE/ROD	---
---	BENCHMARK	---
---	BUILDING	---
---	SIGN	---
---	EDGE PAVEMENT	---
---	CURBLINE	---
---	TREELINE	---
---	CONTOUR	---
---	SPOT GRADE	---
---	GUARDRAIL	---
---	WATER	---
---	WATER GATE VALVE	---
---	HYDRANT	---
---	SEWER	---
---	SEWER MH	---
---	FOUNDATION DRAIN	---
---	CATCH BASIN	---
---	DRAINAGE MH	---
---	UNDERGROUND UTILITY	---
---	TRANSFORMER PAD	---
---	UTILITY POLE	---
---	FILTER BARRIER	---
---	RIFRAP	---

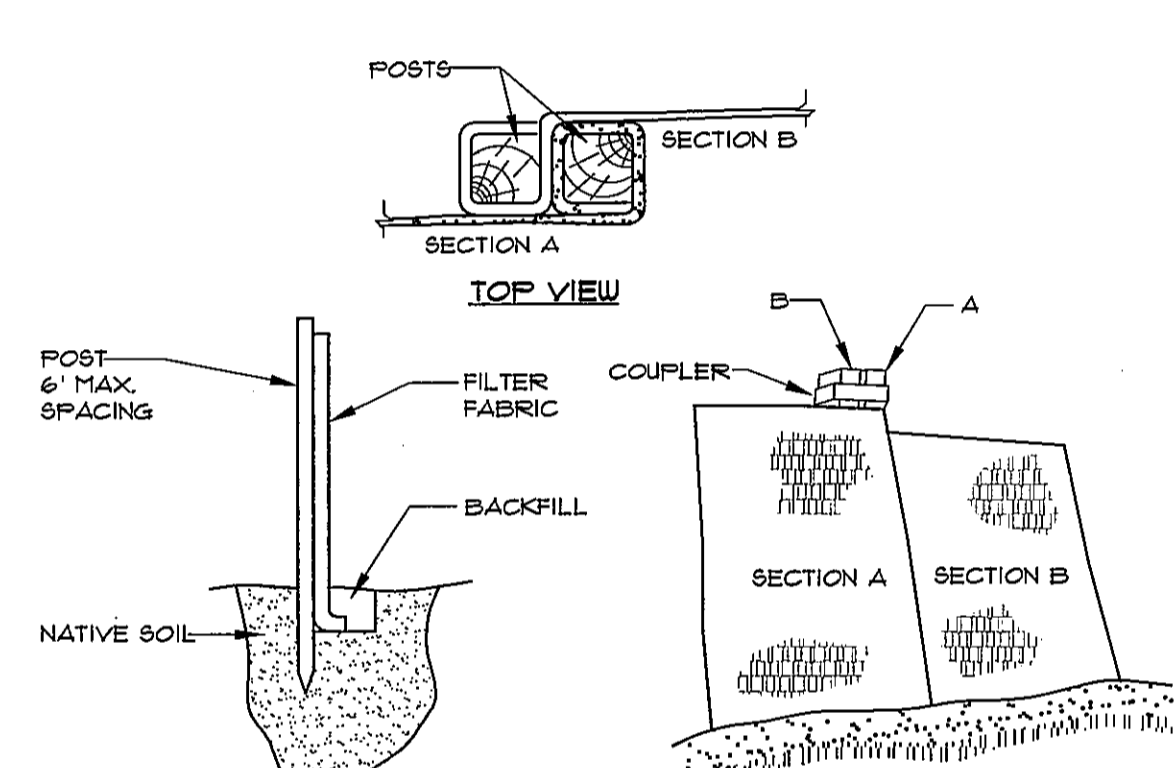


- NOTES:**
1. STONE SIZE - AASHTO DESIGNATION M43, SIZE NO. 2 (2 1/2" TO 1 1/2"). USE CRUSHED STONE.
 2. LENGTH - AS SHOWN ON PLANS, MIN. 15 FEET.
 3. THICKNESS - NOT LESS THAN EIGHT (8) INCHES.
 4. WIDTH - NOT LESS THAN FULL WIDTH OF ALL POINT OF INGRESS OR EGRESS.
 5. MAINTENANCE - THE ENTRANCE SHALL BE MAINTAINED IN A CONDITION WHICH WILL PREVENT TRACKING OR FLOWING OF SEDIMENT ONTO PUBLIC RIGHT-OF-WAY. THIS MAY REQUIRE PERIODIC TOP DRESSING WITH ADDITIONAL STONE AS CONDITIONS DEMAND AND REPAIR AND/OR CLEANOUT OF ANY MEASURES USED TO TRAP SEDIMENT. ALL SEDIMENT SPILLED, DROPPED, WASHED OR TRACKED ONTO PUBLIC RIGHT-OF-WAY MUST BE REMOVED IMMEDIATELY.

STABILIZED CONSTRUCTION ENTRANCE
NOT TO SCALE

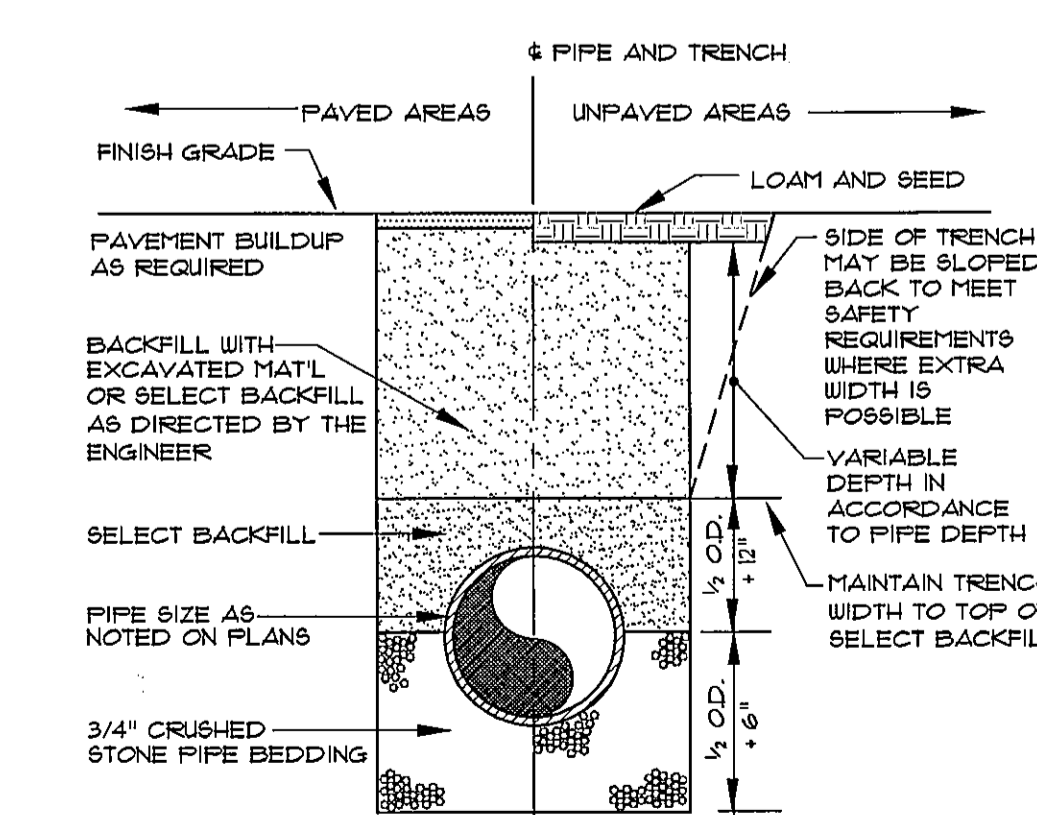


VERTICAL GRANITE CURB
NOT TO SCALE

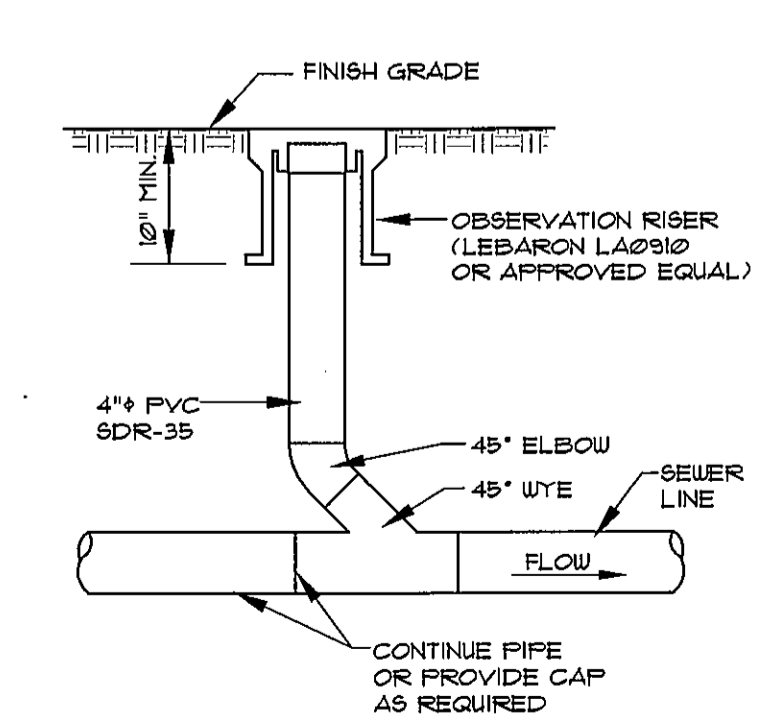


- INSTALLATION:**
1. EXCAVATE A 6"x6" TRENCH ALONG THE LINE OF PLACEMENT FOR THE FILTER BARRIER.
 2. UNROLL A SECTION AT A TIME AND POSITION THE POSTS AGAINST THE BACK (DOWNSTREAM) WALL OF THE TRENCH.
 3. DRIVE POSTS INTO THE GROUND UNTIL APPROXIMATELY 2" OF FABRIC IS LYING ON THE TRENCH BOTTOM.
 4. LAY THE TOE-IN FLAP OF FABRIC ONTO THE UNDISTURBED BOTTOM OF THE TRENCH. BACKFILL THE TRENCH AND TAMP THE SOIL. TOE-IN CAN ALSO BE ACCOMPLISHED BY LAYING THE FABRIC FLAP ON UNDISTURBED GROUND AND FILING AND TAMPING FILL AT THE BASE, BUT MUST BE ACCOMPANIED BY AN INTERCEPTION DITCH.
 5. JOIN SECTION AS SHOWN ABOVE.
 6. BARRIER SHALL BE MIRAFI SILT FENCE OR EQUAL.

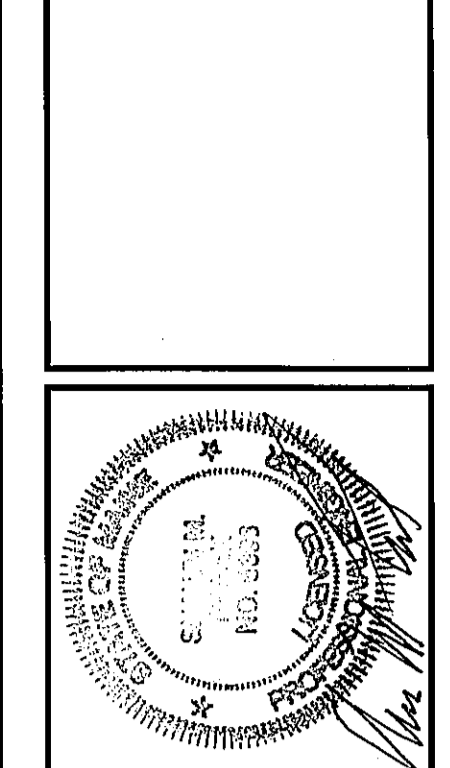
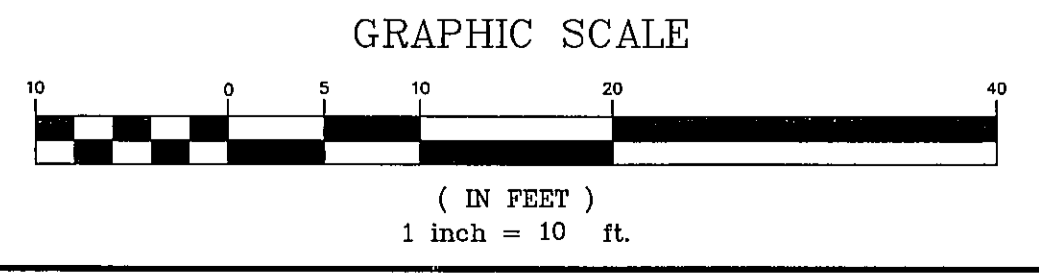
FILTER BARRIER
NOT TO SCALE



TYPICAL TRENCH SECTION
NOT TO SCALE



SEWER CLEANOUT
NOT TO SCALE



NO.	DATE	BY	STATUS

SEBAGO TECHNICALS
WWW.SEAGOTECHNICALS.COM
75 John Roberts Rd., Suite 1A
South Portland, ME 04106
Tel. 207-868-6658

PROJECT NO.	FIELD BOOK	DESIGN	CHKD	DRAWN
13462		SAG	SAG	JAR

GRADING AND UTILITY PLAN
OF:
LOT 22 - RIVERWALK SUBDIVISION
BASKET LANE, PORTLAND, MAINE
FOR:
ESTELLE GOULD REVOCABLE TRUST
C/O TAFFY GOULD
10 EDgewater DRIVE #14
CORAL GABLES, FLORIDA 33133

DATE	SCALE
04/15/14	1" = 10'