

City of Portland, Maine - Building or Use Permit Application

389 Congress Street, 04101 Tel: (207) 874-8703, Fax: (207) 874-8716

Permit No: 05-1541		Issued Date: NOV 4 2005		CBL: 190 A011001	
Location of Construction: 126 Hope Ave		Owner Name: Peisner Michael B		Owner Address: 26 Overset Rd	
Business Name:		Contractor Name: Quality Insulation		Contractor Address: 65 Downeast Drive Yarmouth	
Lessee/Buyer's Name		Phone:		Permit Type: HVAC	
Past Use: Single Family Home		Proposed Use: Single Family Home/ install a lennox Gas Fireplace		Permit Fee: \$39.00	
				Cost of Work: \$1,380.00	
				CEO District: 5	
Proposed Project Description: install a lennox Gas Fireplace		FIRE DEPT: <input checked="" type="checkbox"/> Approved <input type="checkbox"/> Denied		INSPECTION: Use Group: U Type: HVAC	
		Signature: <i>[Signature]</i>		Signature: <i>[Signature]</i>	
		PEDESTRIAN ACTIVITIES DISTRICT (P.A.D.)			
		Action: <input type="checkbox"/> Approved <input type="checkbox"/> Approved w/Conditions <input type="checkbox"/> Denied			
		Signature: _____ Date: _____			

Permit Taken By: Idobson		Date Applied For: 10/21/2005		Zoning Approval	
<ol style="list-style-type: none"> This permit application does not preclude the Applicant(s) from meeting applicable State and Federal Rules. Building permits do not include plumbing, septic or electrical work. Building permits are void if work is not started within six (6) months of the date of issuance. False information may invalidate a building permit and stop all work.. 		Special Zone or Reviews		Zoning Appeal	
		<input type="checkbox"/> Shoreland <input type="checkbox"/> Wetland <input type="checkbox"/> Flood Zone <input type="checkbox"/> Subdivision <input type="checkbox"/> Site Plan Maj <input type="checkbox"/> Minor <input type="checkbox"/> MM <input type="checkbox"/>		<input type="checkbox"/> Variance <input type="checkbox"/> Miscellaneous <input type="checkbox"/> Conditional Use <input type="checkbox"/> Interpretation <input type="checkbox"/> Approved <input type="checkbox"/> Denied	
		Date: 11/03/05 <i>[Signature]</i>		Date: _____	
				Date: 11/03/05 <i>[Signature]</i>	

CERTIFICATION

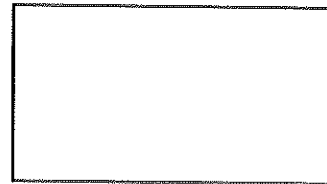
I hereby certify that I am the owner of record of the named property, or that the proposed work is authorized by the owner of record and that I have been authorized by the owner to make this application as his authorized agent and I agree to conform to all applicable laws of this jurisdiction. In addition, if a permit for work described in the application is issued, I certify that the code official's authorized representative shall have the authority to enter all areas covered by such permit at any reasonable hour to enforce the provision of the code(s) applicable to such permit.

SIGNATURE OF APPLICANT	ADDRESS	DATE	PHONE
RESPONSIBLE PERSON IN CHARGE OF WORK, TITLE		DATE	PHONE



FILL IN AND SIGN WITH INK

APPLICATION FOR PERMIT HEATING OR POWER EQUIPMENT



390 A 11

To the INSPECTOR OF BUILDINGS, PORTLAND, ME.

The undersigned hereby applies for a permit to install the following heating, cooking or power equipment in accordance with the Laws of Maine, the Building Code of the City of Portland, and the following specifications:

Location / CBL 126 HOPE AVE. Use of Building HOME Date 10/21/05
 Name and address of owner of appliance DOUGLAS B. CAWAGE, PIESNER
P.O. BOX 412, 50 WINDHAM, ME
 Installer's name and address QUALITY INSULATION INC.
65 DOWNEAST DR. YARMOUTH, ME Telephone 207-846-7749

Location of appliance:

- Basement Floor
 Attic Roof

Type of Fuel:

- Gas Oil Solid

Appliance Name: LENNOX FIREPLACE

U.L. Approved Yes No

Will appliance be installed in accordance with the manufacture's installation instructions? Yes No

IF NO Explain: _____

The Type of License of Installer:

- Master Plumber # _____
 Solid Fuel # _____
 Oil # _____
 Gas # PNT 4272
 Other _____

Type of Chimney:

- Masonry Lined
 Factory built _____

- Metal
 Factory Built U.L. Listing # _____

- Direct Vent
 Type _____ UL# _____

Type of Fuel Tank

- Oil
 Gas

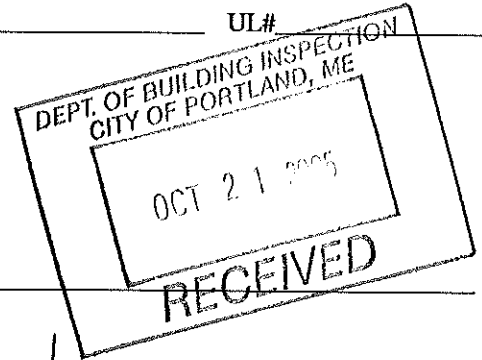
Size of Tank _____

Number of Tanks 1

Distance from Tank to Center of Flame _____ feet.

Cost of Work: \$ 1380.00

Permit Fee: \$ 39.00



Approved

Fire: _____

Ele.: _____

Bldg.: _____

Approved with Conditions

- See attached letter or requirement

Inspector's Signature _____

Date Approved _____

Signature of Installer Tony Andrews

City of Portland, Maine - Building or Use Permit

389 Congress Street, 04101 Tel: (207) 874-8703, Fax: (207) 874-8716

Permit No: 05-1541	Date Applied For: 10/21/2005	CBL: 390 A011001
-----------------------	---------------------------------	---------------------

Location of Construction: 126 Hope Ave	Owner Name: Peisner Michael B	Owner Address: 26 Overset Rd	Phone:
Business Name:	Contractor Name: Quality Insulation	Contractor Address: 65 Downeast Drive Yarmouth	Phone (207) 846-7745
Lessee/Buyer's Name	Phone:	Permit Type: HVAC	

Proposed Use: Single Family Home/ install a lennox Gas Fireplace	Proposed Project Description: install a lennox Gas Fireplace
---	---

Dept: Zoning	Status: Approved	Reviewer: Tom Markley	Approval Date: 11/03/2005
Note:			Ok to Issue: <input checked="" type="checkbox"/>

Dept: Building	Status: Approved	Reviewer: Tom Markley	Approval Date: 11/03/2005
Note:			Ok to Issue: <input checked="" type="checkbox"/>
1) The installation must comply with the State of Maine Gas Regulations.			

Dept: Fire	Status: Approved with Conditions	Reviewer: Cptn Greg Cass	Approval Date: 10/24/2005
Note:			Ok to Issue: <input checked="" type="checkbox"/>
1) Install to NFPA 54			

LENNOX®

HEARTH PRODUCTS

RETAIN THESE INSTRUCTIONS
FOR FUTURE REFERENCE

This appliance may be installed in an aftermarket permanently located, manufactured home (USA only) or mobile home, where not prohibited by local codes. This appliance is only for use with the type of gas indicated on the rating plate. This appliance is not convertible for use with other gases, unless a certified kit is used.

WARNING: IF THE INFORMATION IN THIS MANUAL IS NOT FOLLOWED EXACTLY, A FIRE OR EXPLOSION MAY RESULT CAUSING PROPERTY DAMAGE, PERSONAL INJURY OR LOSS OF LIFE.

FOR YOUR SAFETY: Do not store or use gasoline or other flammable vapors or liquids in the vicinity of this or any other appliance.

FOR YOUR SAFETY: What to do if you smell gas:

- DO NOT light any appliance.
- DO NOT touch any electrical switches.
- DO NOT use any phone in your building.
- Immediately call your gas supplier from a neighbor's phone. Follow your gas suppliers instructions.
- If your gas supplier cannot be reached, call the fire department.

Installation and service must be performed by a qualified installer, service agency or the gas supplier.

Warnock Hersey



WH Report No. J20006711

INSTALLATION INSTRUCTIONS

DIRECT VENT MPD-33/35/40/45 SERIES

VENTED GAS FIREPLACE HEATERS - DIRECT VENT MODELS
P/N 850,014M REV. G 06/2003

MODELS

Millivolt Models

MPDT-3328CNM
MPDT-3328CPM
MPDR-3328CNM
MPDR-3328CPM
MPD-3530CNM
MPD-3530CNM-B
MPD-3530CPM

MPD-4035CNM
MPD-4035CNM-B
MPD-4035CPM
MPD-4540CNM
MPD-4540CNM-B
MPD-4540CPM

Electronic Models

MPDT-3328CNE
MPDT-3328CPE
MPDR-3328CNE
MPDR-3328CPE
MPD-3530CNE
MPD-3530CPE
MPD-4035CNE
MPD-4035CPE
MPD-4540CNE
MPD-4540CPE

AVERTISSEMENT: ASSUREZ-VOUS DE BIEN SUIVRE LES INSTRUCTIONS DONNÉ DANS CETTE NOTICE POUR RÉDUIRE AU MINIMUM LE RISQUE D'INCENDIE OU POUR ÉVITER TOUT DOMMAGE MATÉRIEL, TOUTE BLESSURE OU LA MORT.

POUR VOTRE SÉCURITÉ: Ne pas entreposer ni utiliser d'essence ni d'autre vapeurs ou liquides inflammables dans le voisinage de cet appareil ou de tout autre appareil.

POUR VOTRE SÉCURITÉ: Que faire si vous sentez une odeur de gaz:

- Ne pas tenter d'allumer d'appareil.
- Ne touchez à aucun interrupteur. Ne pas vous servir des téléphones se trouvant dans le bâtiment où vous vous trouvez.
- Evacuez la pièce, le bâtiment ou la zone.
- Appelez immédiatement votre fournisseur de gaz depuis un voisin. Suivez les instructions du fournisseur.
- Si vous ne pouvez rejoindre le fournisseur de gaz, appelez le service des incendies.

L'installation et service doit être exécuté par un qualifié installateur, agence de service ou le fournisseur de gaz.

857 5275

Millivolt Models with Manually-Modulated Gas Valve Natural Gas	
Model Series	Input rate (BTU/H)
MPDT-3328 MPDR-3328	11,700 to 17,500
MPD-3530	12,800 to 20,000
MPD-4035	18,500 to 27,000
MPD-4540	20,500 to 29,000

Millivolt Models with Manually-Modulated Gas Valve Propane Gas	
Model Series	Input rate (BTU/H)
MPDT-3328 MPDR-3328	14,000 to 17,500
MPD-3530	15,200 to 20,000
MPD-4035	21,500 to 27,000
MPD-4540	22,500 to 29,000

Electronic Models -

Electronic models have a fixed rate gas valve. Input of electronic models is shown in the following table:

Electronic Models with Fixed-Rate Gas Valve Natural and Propane Gas	
Model Series	Input rate (BTU/H)
MPDT-3328 MPDR-3328	17,500
MPD-3530	20,000
MPD-4035	27,000
MPD-4540	29,000

All Models -

Maximum manifold pressure is 3.5 in. w.c. (0.87 kPa) for natural gas and 10 in. w.c. (2.49 kPa) for LP/Propane gas.

Installations at Altitudes of 0 to 4500 ft.-
Units are tested and approved for elevations of 0 to 4500 feet (0 to 1372 meters).

Installations at Altitudes above 4500 ft.-
For elevations above 4500 feet (1372 meters), install the unit according to the regulations of the local authorities having jurisdiction and, in the USA, the latest edition of the National Fuel Gas Code (ANSI Z223.1) or, in Canada, the latest edition of the CAN1-B149.1 and .2 codes.

Table 1 shows the units' gas orifice size for the elevations indicated.

The millivolt appliances are manually controlled and feature a spark ignitor (piezo) that allows the appliance's pilot gas to be lit without the use of matches or batteries. This system provides continued service in the event of a power outage.

Model Series	Orifice size		Elevation Feet (meters)
	Nat.	Prop.	
MPDT-3328 MPDR-3328	#45	0.048 inch	0-4500 (0-1370)
MPD-3530	#44	#55	
MPD-4035	#37	0.062 inch	
MPD-4540	#36	#52	

Table 1

Do not use these appliances if any part has been under water. Immediately call a qualified, professional service technician to inspect the appliance and to replace any parts of the control system and any gas control which have been under water.

Ne pas se servir de cet appareil s'il a été plongé dans l'eau, complètement ou en partie. Appeler un technicien qualifié pour inspecter l'appareil et remplacer toute partie du système de contrôle et toute commande qui ont été plongés dans l'eau.

This appliance may be installed in an after-market permanently located, manufactured home (USA only) or mobile home, where not prohibited by local codes. This appliance is only for use with the type of gas indicated on the rating plate. This appliance is not convertible for use with other gases, unless a certified kit is used.

Cet appareil peut être installé dans une maison préfabriquée (É.-U. seulement) ou mobile déjà installée à demeure si les règlements locaux le permettent.

Cet appareil doit être utilisé uniquement avec les types de gaz indiqués sur la plaque signalétique. Ne pas l'utiliser avec d'autres gaz sauf si un kit de conversion certifié est installé.

Test gage connections are provided on the front of the millivolt gas control valve (identified IN for the inlet and OUT for the manifold side). A 1/8" NPT test gage connection is provided at the inlet and outlet side of the electronic gas control valve.

Minimum inlet gas pressure to these appliances is 5.0 inches water column (1.24 kPa) for natural gas and 11 inches water column (2.74 kPa) for propane for the purpose of input adjustment.

Maximum inlet gas supply pressure to these appliances is 10.5 inches water column (2.61 kPa) for natural gas and 13.0 inches water column (3.23 kPa) for propane.

These appliances must be isolated from the gas supply piping system (by closing their individual manual shut-off valve) during any pressure testing of the gas supply piping system at test pressures equal to or less than 1/2 psig (3.5 kPa).

These appliances and their individual shut-off valves must be disconnected from the gas supply piping system during any pressure testing of that system at pressures in excess of 1/2 psig (3.5 kPa).

These appliances must not be connected to a chimney or flue serving a separate solid fuel burning appliance.

Carbon Monoxide Poisoning: Early signs of carbon monoxide poisoning are similar to the flu with headaches, dizziness and/or nausea. If you have these signs, obtain fresh air immediately. Turn off the gas supply to the appliance and have it serviced by a qualified professional, as it may not be operating correctly.

WARNING: FAILURE TO COMPLY WITH THE INSTALLATION AND OPERATING INSTRUCTIONS PROVIDED IN THIS DOCUMENT WILL RESULT IN AN IMPROPERLY INSTALLED AND OPERATING APPLIANCE, VOIDING ITS WARRANTY. ANY CHANGE TO THIS APPLIANCE AND/OR ITS OPERATING CONTROLS IS DANGEROUS. IMPROPER INSTALLATION OR USE OF THIS APPLIANCE CAN CAUSE SERIOUS INJURY OR DEATH FROM FIRE, BURNS, EXPLOSION OR CARBON MONOXIDE POISONING.

WARNING: CHILDREN AND ADULTS SHOULD BE ALERTED TO THE HAZARDS OF HIGH SURFACE TEMPERATURES. USE CAUTION AROUND THE APPLIANCE TO AVOID BURNS OR CLOTHING IGNITION. YOUNG CHILDREN SHOULD BE CAREFULLY SUPERVISED WHEN THEY ARE IN THE SAME ROOM AS THE APPLIANCE.

WARNING: DO NOT PLACE CLOTHING OR OTHER FLAMMABLE MATERIALS ON OR NEAR THIS APPLIANCE.

AVERTISSEMENT: SURVEILLER LES ENFANTS. GARDER LES VÊTEMENTS, LES MEUBLES, L'ESSENCE OU AUTRES LIQUIDES À VAPEUR INFLAMMABLES À CÔTÉ DE L'APPAREIL.

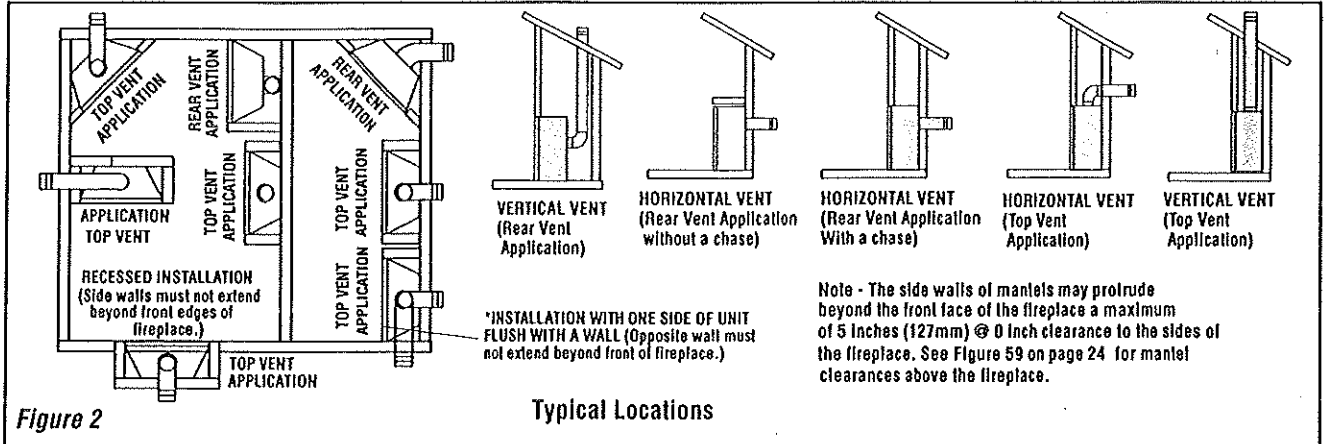


Figure 2

LOCATION

In selecting the location, the aesthetic and functional use of the appliance are primary concerns. However, vent system routing to the exterior and access to the fuel supply are also important. Consideration should be given to traffic ways, furniture, draperies, etc., due to elevated surface temperatures (Figure 2). The location should also be free of electrical, plumbing or other heating/air conditioning ducting.

These direct vent appliances are uniquely suited for installations requiring a utility shelf positioned directly above the fireplace. Utility shelves like these are commonly used for locating television sets and decorative plants.

To provide for the lowest possible shelf surface use the alternate rear vent outlet with attached venting routed in a way to minimize obstructions to the use of the space above the appliance. Do not insulate the space between the appliance and the area above it. See Figure 3. The minimum height from the base of the appliance to the underside of combustible materials used to construct a utility shelf in this fashion is shown in the table in Figure 3.

The appliance should be mounted on a fully supported base extending the full width and depth of the unit. The appliance may be located on or near conventional construction materials. However, if installed on combustible materials, such as carpeting, vinyl tile, etc., a metal or wood barrier covering the entire bottom surface must be used.

APPLIANCE AND VENT CLEARANCES

The appliance is approved with zero clearance to combustible materials on all sides (as detailed in Table 2), with the following exception: When the unit is installed with one side flush with a wall, the wall on the other side of the unit must not extend beyond the front edge of the unit. In addition, when the unit is recessed, the side walls surrounding the unit must not extend beyond the front edge of the unit. See Figure 2.

Model No.	Shelf Height Inches (mm)			
	Top Vent - with One 90 Degree Elbow		Rear Vent - Straight Out the Back	
	Secure Vent	Secure Flex	Secure Vent	Secure Flex
MPDT-3328	45 1/8 (1146)	46 7/8 (1190)	N/A	N/A
MPDR-3328	N/A	N/A	33 1/4 (845)	33 1/4 (845)
MPD-3530	46 1/8 (1172)	47 7/8 (1216)	35 1/4 (895)	35 1/4 (895)
MPD-4035	49 1/8 (1248)	50 7/8 (1292)	40 1/4 (1022)	40 1/4 (1022)
MPD-4540				

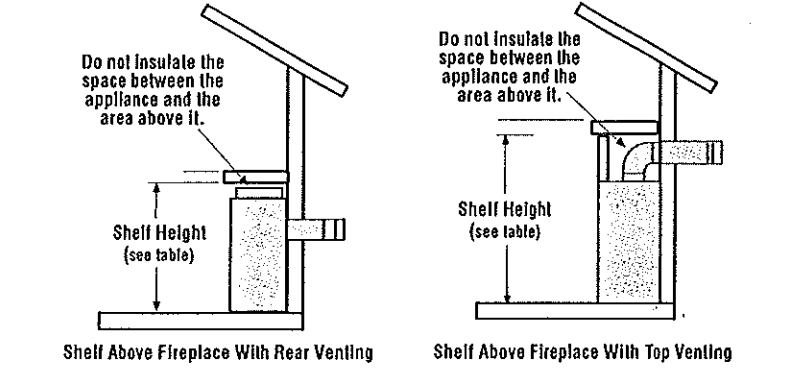


Figure 3

BACK	1/2 in. (13 mm) 0 in. (0 mm) spacers
SIDES	1/2 in. (13 mm)** 0 in. (0 mm) spacers
TOP SPACERS	0 in. (0 mm)
FLOOR	0 in. (0 mm)
From Bottom of Unit to Ceiling	64 in. (1626 mm)
VENT	1 in. (25.4 mm)*
SERVICE CLEARANCES	
FRONT	3 Feet. (0.9 meters)

Table 2

*Note: 3 in. (75 mm) above any horizontal/ inclined vent component.

**Note: See page 5, step 1 for clearance requirements to the nailing flange located at each side of the unit and any screw heads adjacent to it.

NOTE: DIAGRAMS & ILLUSTRATIONS NOT TO SCALE.

VENT TERMINATION CLEARANCES

These instructions should be used as a guideline and do not supersede local codes in any way. Install vent according to local codes, these instructions, the current National Fuel Gas Code (ANSI-Z223.1) in the USA or the current standards of CAN/CGA-B149.1 and -B149.2 in Canada.

Vertical Vent Termination Clearances

Terminate single vent caps relative to building components according to *Figure 4*.

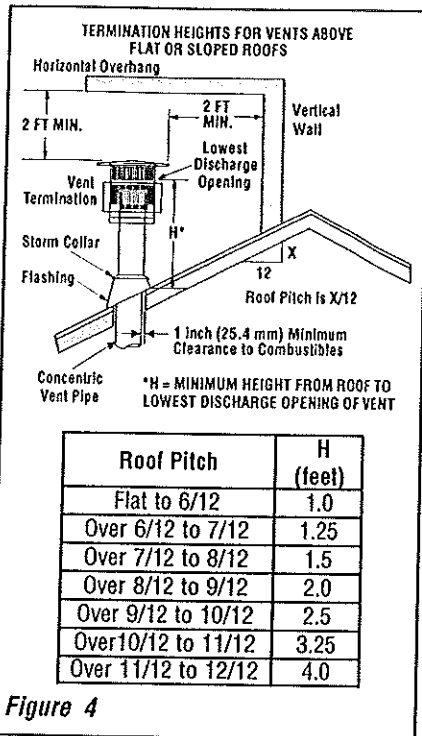


Figure 4

Terminate multiple vent terminations according to the installation codes listed at the top of this page.

Horizontal Vent Termination Clearances

The horizontal vent termination must have a minimum of 3" (76 mm) clearance to any overhead combustible projection of 2 1/2" (64 mm) or less. See *Figure 5*. For projections exceeding 2 1/2" (64 mm), see *Figure 5*. For additional vent location restrictions refer to *Figure 8 on page 6*.

TYPICAL INSTALLATION SEQUENCE

The typical sequence of installation follows, however, each installation is unique resulting in variations to those described.

See the page numbers references in the following steps for detailed procedures.

- Step 1. (page 5) Construct the appliance framing. Position the appliance within the framing and secure with nailing brackets.
- Step 2. (page 5) Route gas supply line to appliance location.

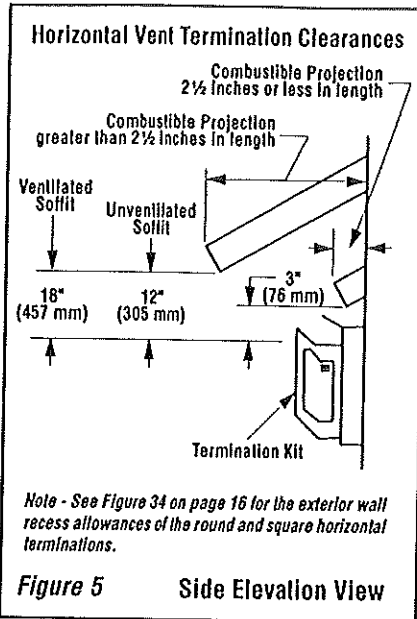


Figure 5 Side Elevation View

Step 3. (page 9) Install the vent system and exterior termination.

Step 4. (page 21) Field Wiring

- Millivolt Appliances – Install the operating control switch (not factory provided) and bring in electrical service line for forced air circulating blower (optional equipment).
- Electronic Appliances – Field wire and install operating control switch.

Step 5. (page 21) Install blower kit (optional equipment).

Step 6. (page 22) Make connection to gas supply.

Step 7. (page 22) Install the logs, decorative volcanic stone and glowing embers.

Step 8. (page 22) Checkout appliance operation.

Step 9. (page 22) Install glass door frame assembly.

Step 10. (page 23) Adjust burner to ensure proper flame appearance.

Step 11. (page 23) Install the hoods.

DETAILED INSTALLATION STEPS

The appliance is shipped with all gas controls and components installed and pre-wired. Remove the shipping carton, exposing the front glass door. Remove the top panel. Remove the cardboard from underneath the pressure relief plates. Press in simultaneously the left and right side of the bottom hinged panel, to release it. Lower the bottom hinged panel. Open the two latches (located under the firebox floor) securing the glass door. Remove the door by tilting it outward at the bottom and lifting it up. Set the door aside protecting it from inadvertent damage. See *Figure 56 on page 23*.

NOTE: DIAGRAMS & ILLUSTRATIONS NOT TO SCALE.

Step 1. FRAMING

Frame these appliances as illustrated in *Figure 9 on page 7*, unless the appliance is to be installed in a corner. See *Figure 10 on page 7* or *Figure 11 on page 8* for corner framing installations. All framing details must allow for a minimum clearance to combustible framing members as shown in *Table 2*.

If the appliance is to be elevated above floor level, a solid continuous platform must be constructed. Headers may be in direct contact with the appliance top spacers but must not be supported by them or notched to fit around them. All construction above the appliance must be self supporting. **DO NOT** use the appliance for structural support.

The fireplace should be secured to the side framing members using the unit's nailing flanges - one top and bottom on each side of the fireplace front. See *Figure 6*. Use 8d nails or their equivalent.

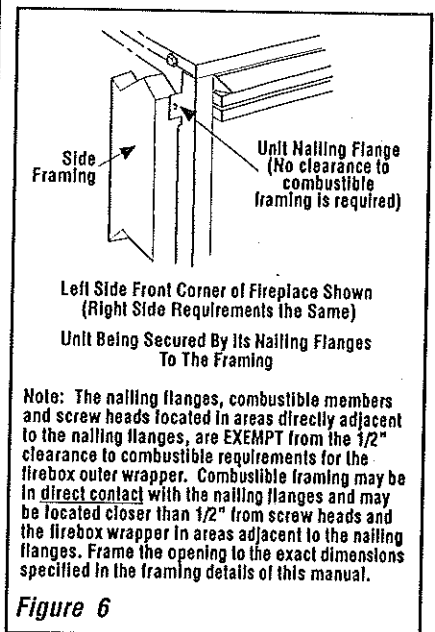


Figure 6

Step 2. ROUTING GAS LINE

Route a 1/2" (13 mm) gas line along the inside of the right side framing as shown in *Figure 7*. Gas lines must be routed, constructed and made of materials that are in strict accordance with local codes and regulations. All appliances are factory-equipped with a flexible gas line connector and 1/2 inch shutoff valve. (See step 6 on page 21).

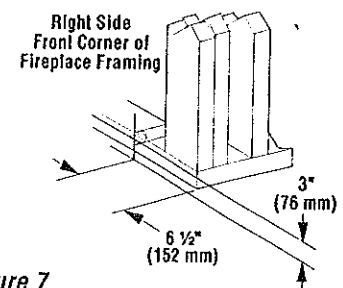
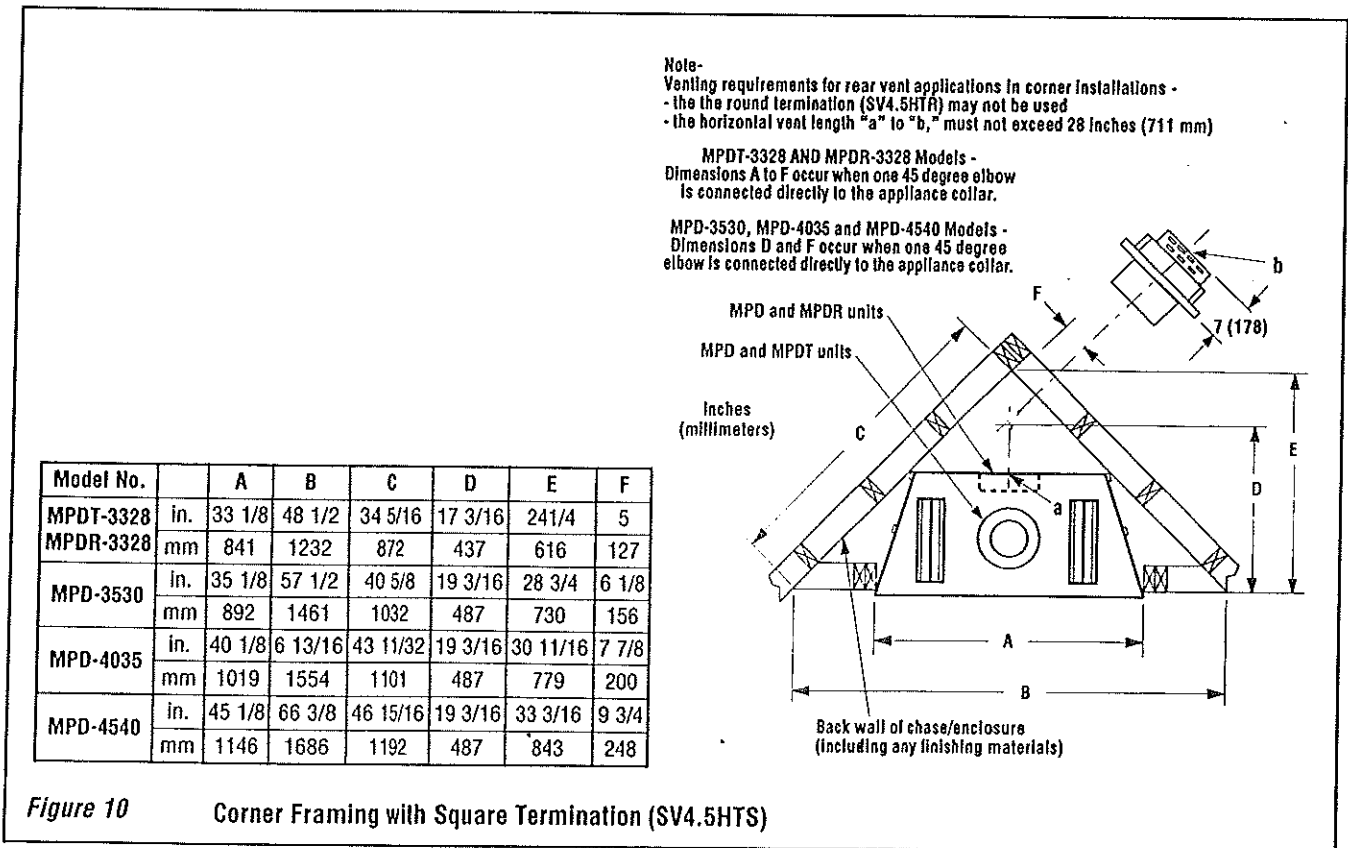
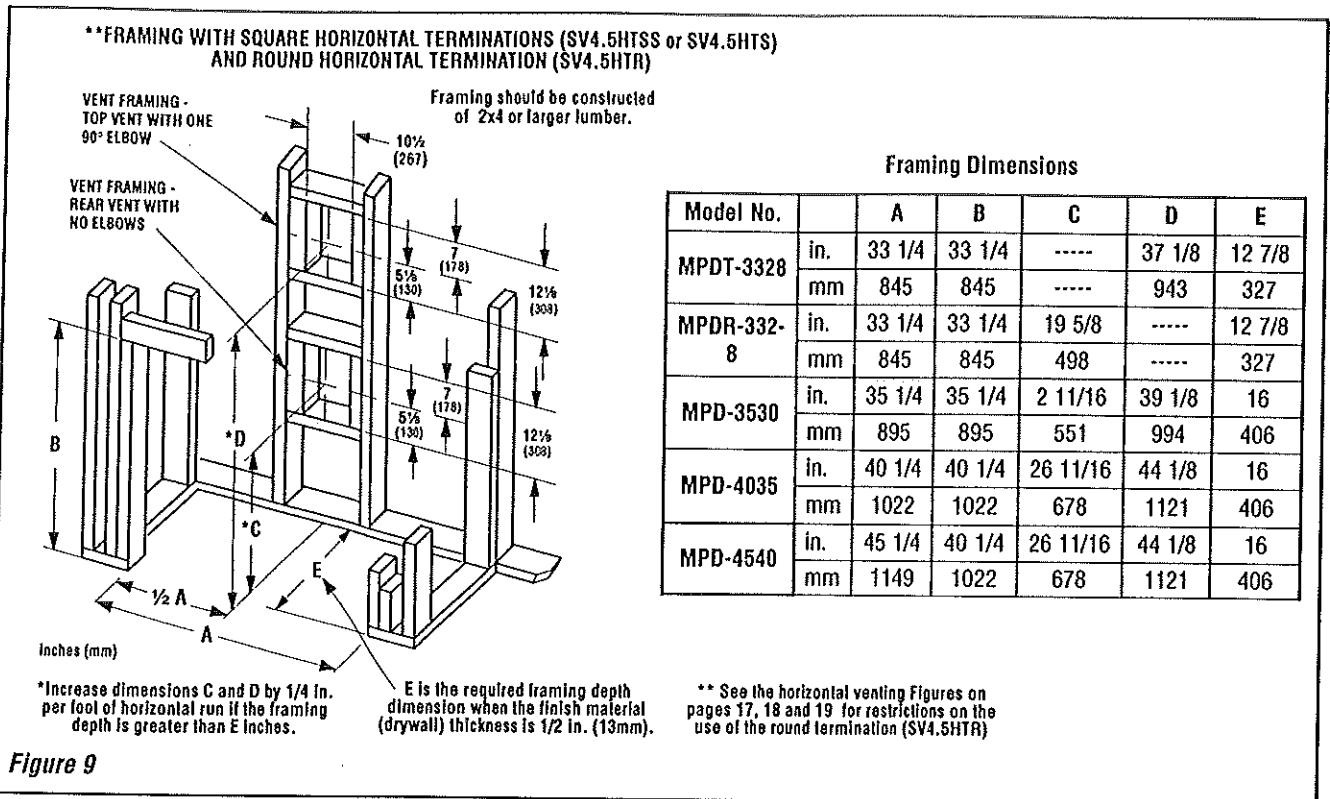


Figure 7

FIREPLACE FRAMING SPECIFICATIONS



FIREPLACE FRAMING SPECIFICATIONS

Model No.		A	B	C	D	E	F
MPDT-3328	in.	33 1/8	48 1/2	34 5/16	17 3/16	24 1/4	5
MPDR-3328	mm	841	1232	872	437	616	127
MPD-3530	in.	35 1/8	57 1/2	40 5/8	19 3/16	28 3/4	6 1/8
	mm	892	1461	1032	487	730	156

Note -
Venting requirements for rear vent applications in corner installations for MPDT-3328, MPDR-3328 AND MPD-3530 models only -
- the round termination (SV4.5HTR) may not be used
- the horizontal vent length "a" to "b," must not exceed 28 inches (711 mm)

MPDT-3328 AND MPDR-3328 Models -
Dimensions A to F occur when one 45 degree elbow is connected directly to the appliance collar.

MPD-3530 Models -
Dimensions D and F occur when one 45 degree elbow is connected directly to the appliance collar.

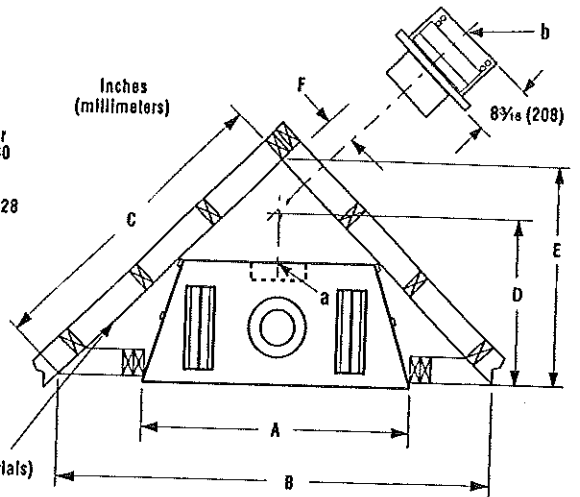
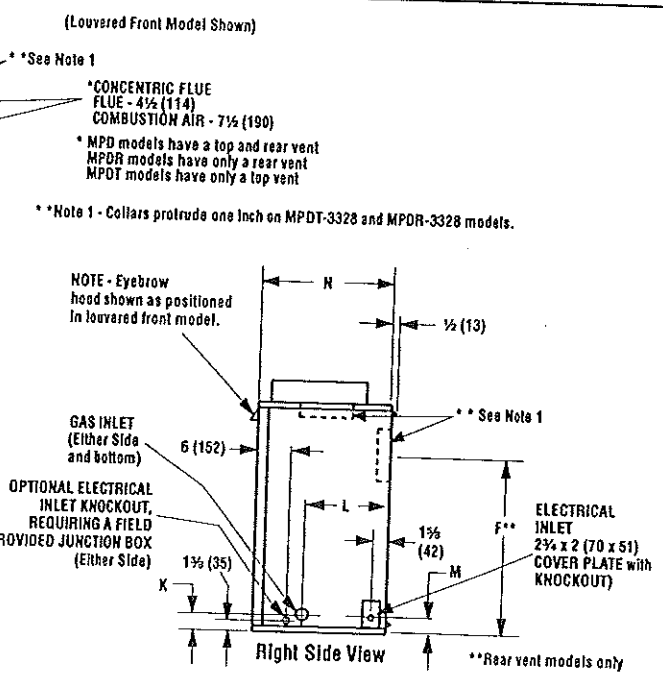
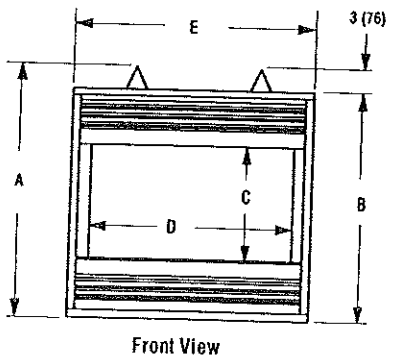
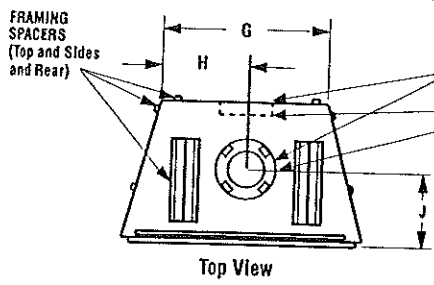


Figure 11 Corner Framing with Small Square Horizontal Termination (SV4.5HTSS) for MPDT-3328, MPDR-3328 and MPD-3530 Models Only

FIREPLACE SPECIFICATIONS

Figure 12



Model No.		A	B	C	D	E	**F	G	H	J	K	L	M	N
MPDT-3328	in.	33 1/8	30 1/8	17	27 1/2	33 1/8	19 5/8	21 1/2	10 3/4	6 13/16	3	8 11/32	2 2/3	13
MPDR-3328	mm	841	765	432	699	841	498	546	273	173	76	212	70	330
MPD-3530	in.	35 1/8	32 1/8	19	29 1/2	35 1/8	21 11/16	24 7/8	12 7/16	9	3	9	3	16
	mm	892	816	483	749	892	551	632	316	220	76	220	76	406
MPD-4035	in.	40 1/8	37 1/8	24	34 1/2	40 1/8	26 11/16	29 7/8	14 15/16	9	3	9	3	16
	mm	1019	943	610	876	1019	678	759	379	220	76	220	76	406
MPD-4540	in.	40 1/8	37 1/8	24	39 1/2	45 1/8	26 11/16	34 7/8	17 7/16	9	3	9	3	16
	mm	1146	943	610	1003	1146	678	886	443	220	76	220	76	406

NOTE: DIAGRAMS & ILLUSTRATIONS NOT TO SCALE.

Step 3. INSTALL THE VENT SYSTEM

General Information

These instructions should be used as a guideline and do not supersede local codes in any way. Install vent according to local codes, these instructions, the current National Fuel Gas Code (ANSI-Z223.1) in the USA or the current standards of CAN/CGA-B149.1 and -B149.2 in Canada.

These fireplaces are designed, tested and listed for operation and installation with, and only with, Secure Vent™ (SV 4.5) Direct Vent System Components, Secure Flex™ Flexible Vent Components manufactured by Security Chimneys International. These approved vent system components are labeled for identification. **DO NOT** use any other manufacturer's vent components with these appliances.

These fireplaces must be vented directly to the outside.

The vent system may not service multiple appliances, and must never be connected to a flue serving a solid fuel burning appliance. The vent pipe is tested to be run inside an enclosing wall (such as a chase). There is no requirement for inspection openings in the enclosing wall at any of the joints in the vent pipe.

Preparing the Appliance Vent Collar on MPD-3530/4035/4540 Series (Combined Top and Rear Vent) Models

Each of the unit's two vent collars are sealed with a cover plate and a seal plate and gasket. The cover, and seal plate and gasket must be removed from the vent collar being used. Refer to *Figure 13* for top vent usage and *Figure 14* for rear, and the following steps to prepare the appropriate collar for use.

From the vent collar being used, remove the four screws securing the vent seal plate and gasket. Remove and discard the seal plate and gasket.

When the top vent collar is being used, from inside the firebox, loosen the two screws in the keyhole slots of the cover plate and remove the remaining two cover plate securing screws. Remove and discard the cover plate. Reinstall and securely tighten all four screws.

When the rear vent collar is being used, from inside the firebox, remove the two screws securing the lintel to the rear wall of the firebox, then remove the lintel. Remove the four cover plate securing screws. Remove and discard the cover plate. Reinstall and securely tighten all four cover plate screws. Re-secure the lintel to the rear wall of the firebox.

WARNING: FAILURE TO REINSTALL AND SECURELY TIGHTEN COVER PLATE SCREWS COULD RESULT IN LEAKAGE OF FLUE PRODUCTS INTO THE LIVING SPACE. VENT COVER PLATE AND VENT SEAL PLATE MUST REMAIN SECURELY INSTALLED ON UNUSED VENT COLLAR. FAILURE TO DO SO COULD RESULT IN LEAKAGE OF FLUE PRODUCTS INTO LIVING SPACE.

ON MPD-3530/4035/4540 SERIES MODELS (COMBINED TOP AND REAR VENT UNITS) TOP VENT SEAL & COVER PLATE REMOVAL WHEN USING THE TOP VENT

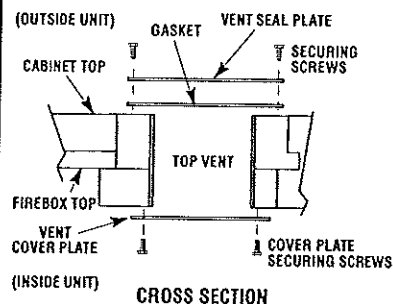


Figure 13

ON MPD-3530/4035/4540 SERIES MODELS (COMBINED TOP AND REAR VENT UNITS) REAR VENT SEAL & COVER PLATE REMOVAL WHEN USING THE REAR VENT

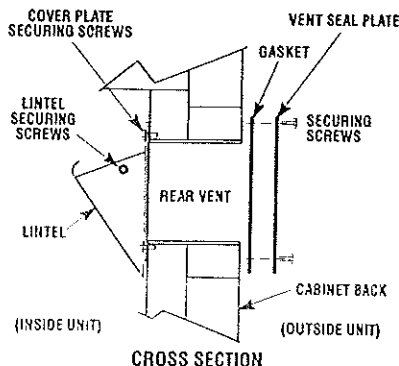


Figure 14

Installation of Vent Restrictor

Install a vent restrictor (provided) in the appliance top flue outlet as shown in *Figure 15* (MPDT-3328, MPD-3530, MPD-4035 and MPD-4540) or rear flue outlet as shown in *Figure 16* (MPD-3530, MPD-4035 and MPD-4540). It is held in place by friction, only.

VENT RESTRICTOR INSTALLATION (TOP VENT)

Install a vent restrictor in the top vent of the fireplace outlet on MPD-3530/4035/4540 and MPDT-3328 series models.

Install the restrictor orientated as shown, either from inside or outside the unit, in the inner fireplace collar.

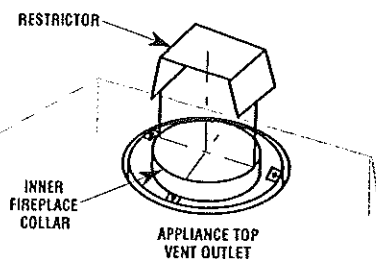


Figure 15

VENT RESTRICTOR INSTALLATION (REAR VENT)

Install a vent restrictor in the rear vent of the fireplace outlet on MPD-3530/4035/4540 series models, in any installation that has a vertical vent run in excess of three feet (0.914 meters).

Install the restrictor orientated as shown, either from inside or outside the unit, in the inner fireplace collar.

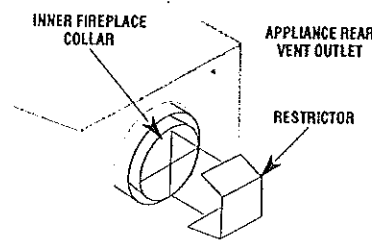


Figure 16

Select Venting System - Horizontal or Vertical

With the appliance secured in framing, determine vent routing and identify the exterior termination location. The following sections describe vertical (roof) and horizontal (exterior wall) vent applications. Refer to the section relating to your installation. A list of approved venting components is shown in the two tables on page 24 and the two tables on page 25.

VERTICAL TERMINATION SYSTEMS (ROOF)

Figure 17, and Figures 27 through 31 on pages 13 and 14 and their associated Vertical Vent Tables illustrate the various vertical venting configurations that are possible for use with these appliances. Secure Vent pipe applications are shown in these figures; Secure Vent Flex pipe may also be used. A Vertical Vent Table summarizes each system's minimum and maximum vertical and horizontal length values that can be used to design and install the vent components in a variety of applications.

Both these vertical vent systems terminate through the roof. The minimum vent height above the roof and/or adjacent walls is specified in ANSI Z223.1-(latest edition) (In Canada, the current CAN-1 B149 installation code) by major building codes. Always consult your local codes for specific requirements. A general guide to follow is the Gas Vent Rule (refer to Figure 4 on page 5).

Vertical (Straight) Installation

Determine the number of straight vent sections required. 4 1/2" (114 mm), 10 1/2" (267 mm), 22 1/2" (572 mm), 34 1/2" (876 mm) and 46 1/2" (1181 mm) net section lengths are available. Plan the vent lengths so that a joint does not occur at the intersection of ceiling or roof joists. Refer to the Vent Section Length Chart.

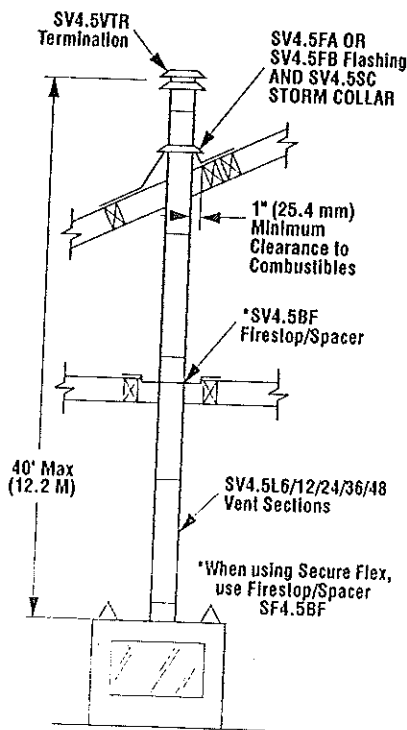


Figure 17

VENT SECTION LENGTH CHART							O A L Y
Nominal Section Length (Inches)	6	12	24	36	48	T O T A L	
Net Section Length (Inches)	4-1/2	10-1/2	22-1/2	34-1/2	46-1/2		
Height of Vent Inches ft	Number of Vent Sections						
4.5	0.375	1	0	0	0	0	1
9	0.75	2	0	0	0	0	2
10.5	0.875	0	1	0	0	0	1
15	1.25	1	1	0	0	0	2
19.5	1.625	2	1	0	0	0	3
21	1.75	0	2	0	0	0	2
22.5	1.875	0	0	1	0	0	1
25.5	2.125	1	2	0	0	0	3
31.5	2.625	0	3	0	0	0	3
34.5	2.875	0	0	0	1	0	1
37.5	3.125	1	1	1	0	0	3
43.5	3.625	0	2	1	0	0	3
45	3.75	0	0	2	0	0	2
46.5	3.875	0	0	0	0	1	1
49.5	4.125	1	0	2	0	0	3
51	4.25	1	0	0	0	1	2
55.5	4.625	0	1	2	0	0	3
57	4.75	0	0	1	1	0	2
66	5.25	0	2	2	0	0	4
67.5	5.625	0	0	3	0	0	3
69	5.75	0	0	0	2	0	2
72	6	1	0	3	0	0	4
73.5	6.125	1	0	0	2	0	3
79.5	6.625	0	1	0	2	0	3
81	6.75	0	0	0	1	1	2
90	7.5	0	2	1	0	1	4
91.5	7.625	0	0	2	0	1	3
93	7.75	0	0	0	0	2	2
96	8	1	0	1	2	0	4
97.5	8.125	1	0	0	0	2	3
102	8.5	2	0	0	0	2	4
103.5	8.625	0	0	0	3	0	3
108	9	1	0	0	3	0	4
114	9.5	0	2	0	0	2	4
117	9.75	1	0	5	0	0	6
118.5	9.875	1	1	0	3	0	5
126	10.5	0	0	1	3	0	4
130.5	10.875	1	0	1	3	0	5
135	11.25	0	0	6	0	0	6
138	11.5	0	0	0	4	0	4
139.5	11.625	0	0	0	0	3	3
142.5	11.875	1	0	0	4	0	5

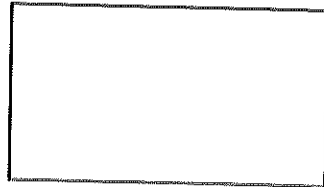
VENT SECTION LENGTH CHART							O A L Y
Nominal Section Length (Inches)	6	12	24	36	48	T O T A L	
Net Section Length (Inches)	4-1/2	10-1/2	22-1/2	34-1/2	46-1/2		
Height of Vent Inches ft	Number of Vent Sections						
144	12	1	0	0	0	3	4
150	12.5	0	1	0	0	3	4
154.5	12.875	1	1	0	0	3	5
160.5	13.375	0	2	0	0	3	5
172.5	14.375	0	0	0	5	0	5
177	14.75	1	0	0	5	0	6
183	15.25	0	1	0	5	0	6
186	15.5	0	0	0	0	4	4
190.5	15.875	1	0	0	0	4	5
196.5	16.375	0	1	0	0	4	5
205.5	17.125	0	1	1	5	0	7
207	17.25	0	0	0	6	0	6
211.5	17.625	1	0	0	6	0	7
217.5	18.125	0	1	0	6	0	7
229.5	19.125	0	0	1	6	0	7
232.5	19.375	0	0	0	0	5	5
237	19.75	1	0	0	0	5	6
241.5	20.125	0	0	0	7	0	7
246	20.5	1	0	0	7	0	8
252	21	0	1	0	7	0	8
264	22	0	0	1	7	0	8
276	23	0	0	0	8	0	8
279	23.25	0	0	0	0	6	6
280.5	23.375	1	0	0	8	0	9
283.5	23.625	1	0	0	0	6	7
289.5	24.125	0	1	0	0	6	7
301.5	25.125	0	0	1	0	6	7
310.5	25.875	0	0	0	9	0	9
315	26.5	1	0	0	9	0	10
325.5	27.125	0	0	0	0	7	7
330	27.5	1	0	0	0	7	8
336	28	0	1	0	0	7	8
345	28.75	0	0	0	10	0	10
349.5	29.125	1	0	0	10	0	11
372	31	0	0	0	0	8	8
376.5	31.375	1	0	0	0	8	9
379.5	31.625	0	0	0	11	0	11
418.5	34.875	0	0	0	0	9	9
423	35.25	1	0	0	0	9	10
465	38.75	0	0	0	0	10	10

NOTE: DIAGRAMS & ILLUSTRATIONS NOT TO SCALE.



FILL IN AND SIGN WITH INK

APPLICATION FOR PERMIT HEATING OR POWER EQUIPMENT



390 A 11

To the INSPECTOR OF BUILDINGS, PORTLAND, ME.

The undersigned hereby applies for a permit to install the following heating, cooking or power equipment in accordance with the Laws of Maine, the Building Code of the City of Portland, and the following specifications:

Location / CBL 126 HOPE AVE. Use of Building HOME Date 10/21/05
 Name and address of owner of appliance DOUGLAS B. CAWAGE, PIESNER
P.O. BOX 42, 50 WINDHAM, ME
 Installer's name and address QUALITY INSULATION INC.
65 DOWNEAST DR. YARMOUTH, ME Telephone 207-846-7749

Location of appliance:

- Basement Floor
 Attic Roof

Type of Fuel:

- Gas Oil Solid

Appliance Name: LENNOX FIREPLACE

U.L. Approved Yes No

Will appliance be installed in accordance with the manufacture's installation instructions? Yes No

IF NO Explain: _____

The Type of License of Installer:

- Master Plumber # _____
 Solid Fuel # _____
 Oil # _____
 Gas # PNT 4272
 Other _____

Type of Chimney:

- Masonry Lined
 Factory built _____

- Metal
 Factory Built U.L. Listing # _____

- Direct Vent
 Type _____ UL# _____

Type of Fuel Tank

- Oil
 Gas

Size of Tank _____

Number of Tanks 1

Distance from Tank to Center of Flame _____ feet.

Cost of Work: \$ 1380.00

Permit Fee: \$ 39.00

Approved

Fire: _____
 Ele.: _____
 Bldg.: _____

Approved with Conditions

- See attached letter or requirement

Signature of Installer [Signature]

Inspector's Signature _____

Date Approved _____

ELECTRICAL PERMIT

City of Portland, Me.



To the Chief Electrical Inspector, Portland Maine:
 The undersigned hereby applies for a permit to make electrical installations
 in accordance with the laws of Maine, the City of Portland Electrical Ordinance,
 National Electrical Code and the following specifications:

Date 7/12/05
 Permit # 05-4643
 CBL# 390 A 011

LOCATION: 126 Hope Ave. METER MAKE & # _____
 CMP ACCOUNT # 441176539-0001 OWNER Mike Peisner
 TENANT _____ PHONE # 797-6651

							TOTAL EACH FEE			
OUTLETS	<u>70</u>	Receptacles	<u>35</u>	Switches	<u>6</u>	Smoke Detector	111	.20	22.20	
FIXTURES	<u>35</u>	Incandescent	<u>3</u>	Fluorescent		Strips	<u>28</u>	.20	5.60	
SERVICES		Overhead	<u>1</u>	Underground		TTL AMPS <800	<u>1</u>	15.00	15.00	
		Overhead		Underground		>800		25.00		
Temporary Service		Overhead		Underground		TTL AMPS		25.00		
								25.00		
METERS	<u>1</u>	(number of)					<u>1</u>	1.00	1.00	
MOTORS		(number of)						2.00		
RESID/COM		Electric units						1.00		
HEATING		oil/gas units		Interior		Exterior		5.00		
APPLIANCES	<u>1</u>	Ranges		Cook Tops		Wall Ovens	<u>1</u>	2.00	2.00	
		Insta-Hot		Water heaters		Fans		2.00		
	<u>1</u>	Dryers	<u>1</u>	Disposals	<u>1</u>	Dishwasher	<u>3</u>	2.00	6.00	
		Compactors		Spa	<u>1</u>	Washing Machine	<u>1</u>	2.00	2.00	
		Others (denote)						2.00		
MISC. (number of)		Air Cond/win						3.00		
		Air Cond/cent				Pools		10.00		
		HVAC		EMS		Thermostat		5.00		
		Signs						10.00		
		Alarms/res						5.00		
		Alarms/com						15.00		
		Heavy Duty(CRKT)						2.00		
		Circus/Carnv						25.00		
		Alterations						5.00		
		Fire Repairs						15.00		
		E Lights						1.00		
		E Generators						20.00		
PANELS		Service		Remote	<u>1</u>	Main		4.00	4.00	
TRANSFORMER		0-25 Kva						5.00		
		25-200 Kva						8.00		
		Over 200 Kva						10.00		
TOTAL AMOUNT DUE										
MINIMUM FEE/COMMERCIAL 45.00							MINIMUM FEE	35.00		57.80

DEPT. OF BUILDING INSPECTION
 CITY OF PORTLAND, ME
 JUL 15 2005
 RECEIVED

CONTRACTORS NAME Electrical Craftsmen MASTER LIC. # MS60016518
 ADDRESS 1 West View Rd. at Windham, ME LIMITED LIC. # _____
 TELEPHONE 892-8428

SIGNATURE OF CONTRACTOR Scott Kelly
 White Copy - Office • Yellow Copy - Applicant