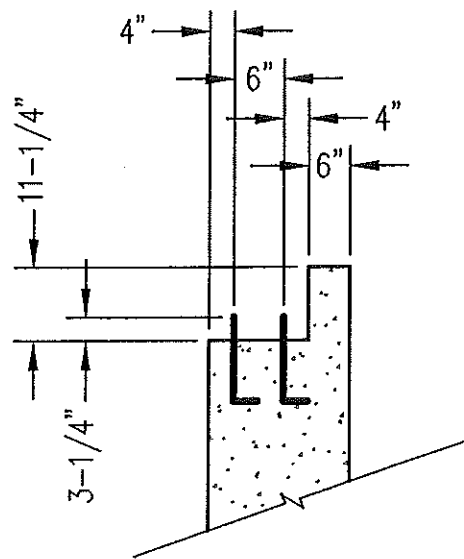


ABUTMENT PLAN VIEW
N.T.S.



ANCHOR BOLT LOCATIONS
N.T.S.

NOTES:

1. POUR FOOTING THE SAME DAY THAT EXCAVATION TO BOTTOM OF FOOTING ELEVATION IS PERFORMED.
2. DO NOT ALLOW WATER TO COLLECT IN EXCAVATIONS. PROVIDE POSITIVE DRAINAGE. DEWATER AS REQUIRED. REMOVE WET SOILS DISTURBED BY EQUIPMENT OR WEATHER. REPLACE WITH 18" OF CRUSHED STONE OR OTHER COMPACTED STRUCTURAL FILL. AT CONTRACTORS OPTION FOOTING DRAINS MAY BE LOWERED. DO NOT UNDERMINE FOOTINGS.
3. OVER EXCAVATE UNSUITABLE SOILS AS DIRECTED BY THE GEOTECHNICAL ENGINEER.

FOUNDATION DESIGN:

F-1 SPREAD FOOTINGS HAVE BEEN DESIGNED FOR AN ASSUMED ALLOWABLE SOIL BEARING PRESSURE OF 2000 PSF. ACTUAL ALLOWABLE SOIL BEARING TO BE VERIFIED.

F-2 THE CONTRACTOR SHALL EMPLOY A PROFESSIONAL GEOTECHNICAL ENGINEER TO INSPECT THE FOUNDATIONS AND BEARING LEVELS AND VERIFY THAT THE MATERIAL ON WHICH THE FOUNDATIONS WILL BEAR HAS AT LEAST THE ABOVE NOTED CAPACITY.

CAST-IN-PLACE CONCRETE

C-1 ALL REINFORCED CONCRETE WORK SHALL BE PERFORMED IN ACCORDANCE WITH THE "BUILDING CODE REQUIREMENTS FOR REINFORCED CONCRETE" (ACI 318-95) OF THE AMERICAN CONCRETE INSTITUTE.

C-2 ALL CONCRETE SHALL BE NORMAL WEIGHT WITH A MINIMUM COMPRESSIVE STRENGTH $F'_c = 3000$ PSI.

C-3 REINFORCEMENT
a. DEFORMED BARS.....ASTM A615, GRADE 60

C-4 ALL LEVELING GROUT SHALL BE NONMETALLIC SHRINKAGE-RESISTANT GROUT COMPLYING WITH CE-CRD-C621, AND SHALL HAVE A MINIMUM F'_c OF 5000 PSI.

C-5 MINIMUM CONCRETE COVER FOR REINFORCING STEEL:
a. SLABS AND WALLS.....3/4"
b. CONCRETE EXPOSED TO WEATHER:
i. #5 BARS OR SMALLER.....1-1/2"
ii. BARS LARGER THAN #5.....2"
c. CONCRETE IN CONTACT WITH EARTH.....3"

C-6 ALL CONCRETE REINFORCING BAR LAP LENGTHS TO BE MIN. 36 (U.N.O.) BAR DIAMETERS.

CONCRETE/MASONARY ANCHORS

A-1 ALL ANCHOR SPACING, EMBEDMENT, EDGE DISTANCE, AND INSTALLATION SHALL BE IN ACCORDANCE WITH MANUFACTURER RECOMMENDATIONS. REFER TO SECTIONS AND DETAILS ON THE DRAWINGS FOR ADDITIONAL INFORMATION.

Architects + Engineers
HARRIMAN ASSOCIATES
One Auburn Business Park
Auburn, Maine 04210
107.284.5900 tel
107.282.5077 fax
www.harriman.com
Building communities
since 1970
© 2001

Project Title
**CHEVERUS HIGH SCHOOL
WASHINGTON AVENUE
BALLFIELDS**
PORTLAND, MAINE
HA Project No. 00146

**NORTHWEST
BRIDGE
ABUTMENT PLAN**

Date	04-19-01
Scale	SCALE

Drawing Number
SKA2