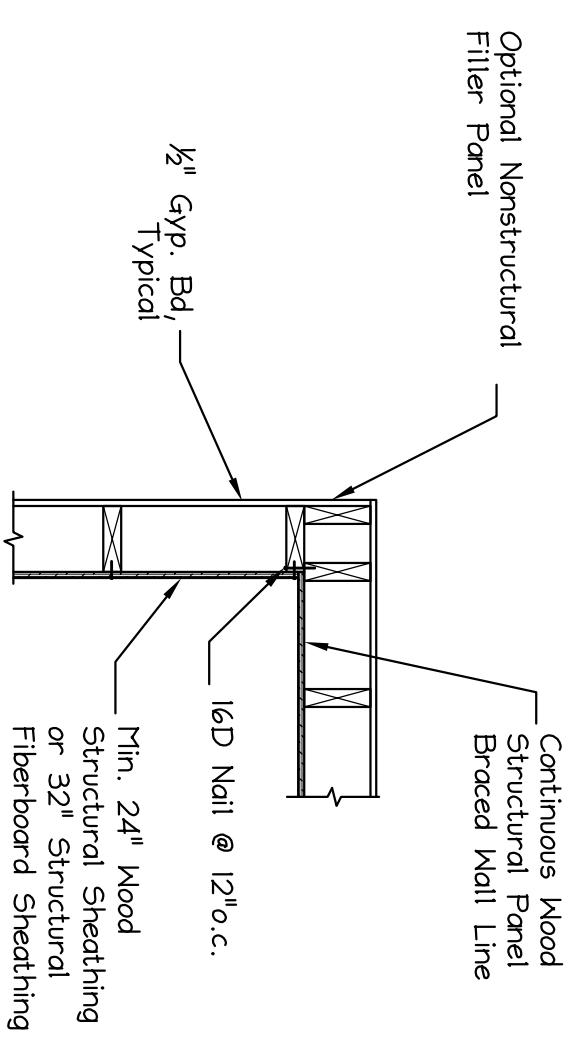
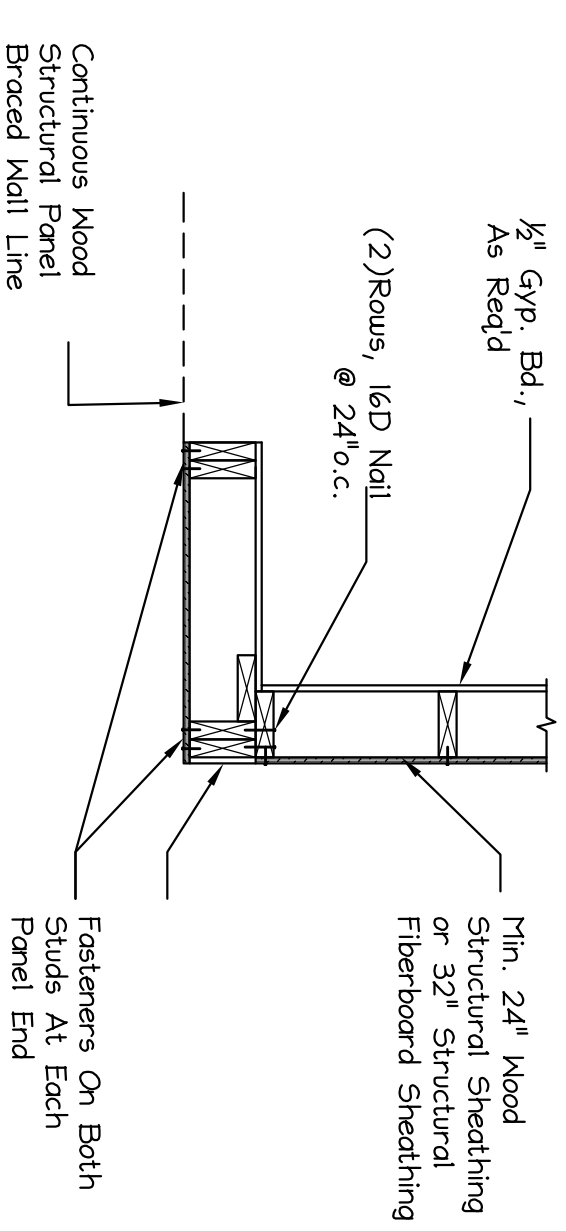


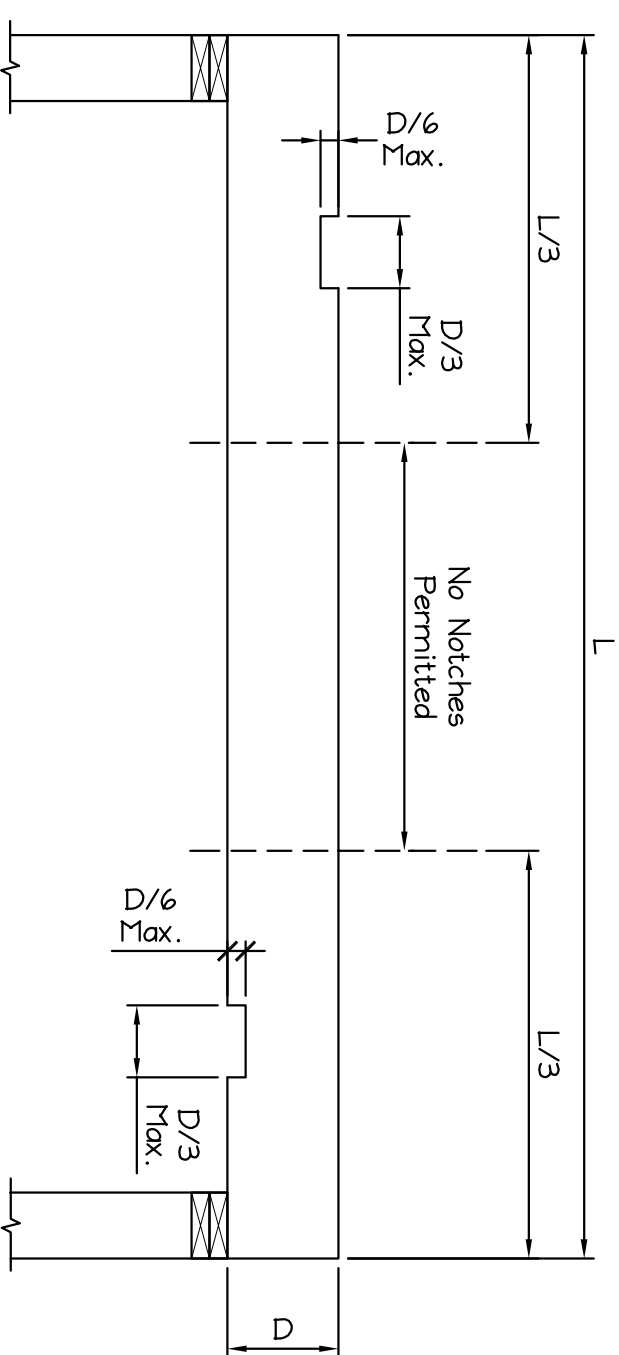
Detail — Typical Corner Post Framing: Outside Corner  
Scale: 3/4" = 1'-0"



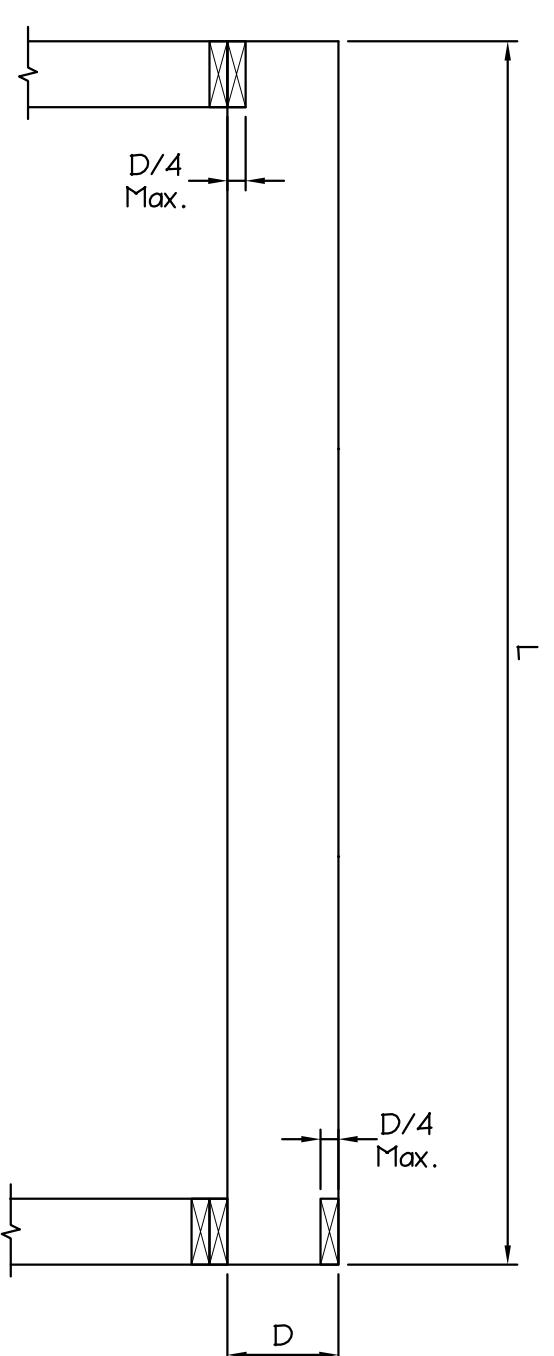
Detail — Typical Corner Post Framing: Inside Corner  
Scale: 3/4" = 1'-0"



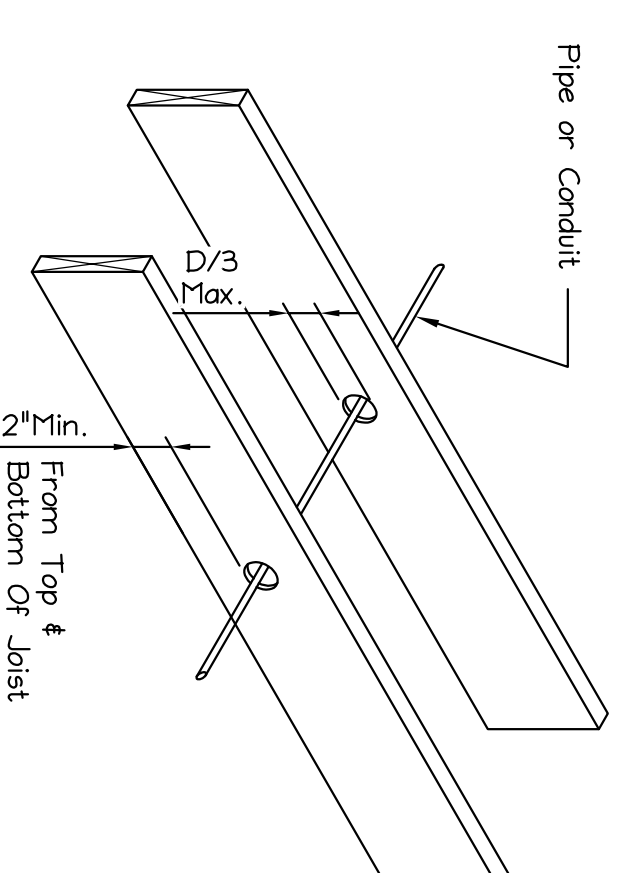
Detail — Garage Door Corner  
Scale: 3/4" = 1'-0"



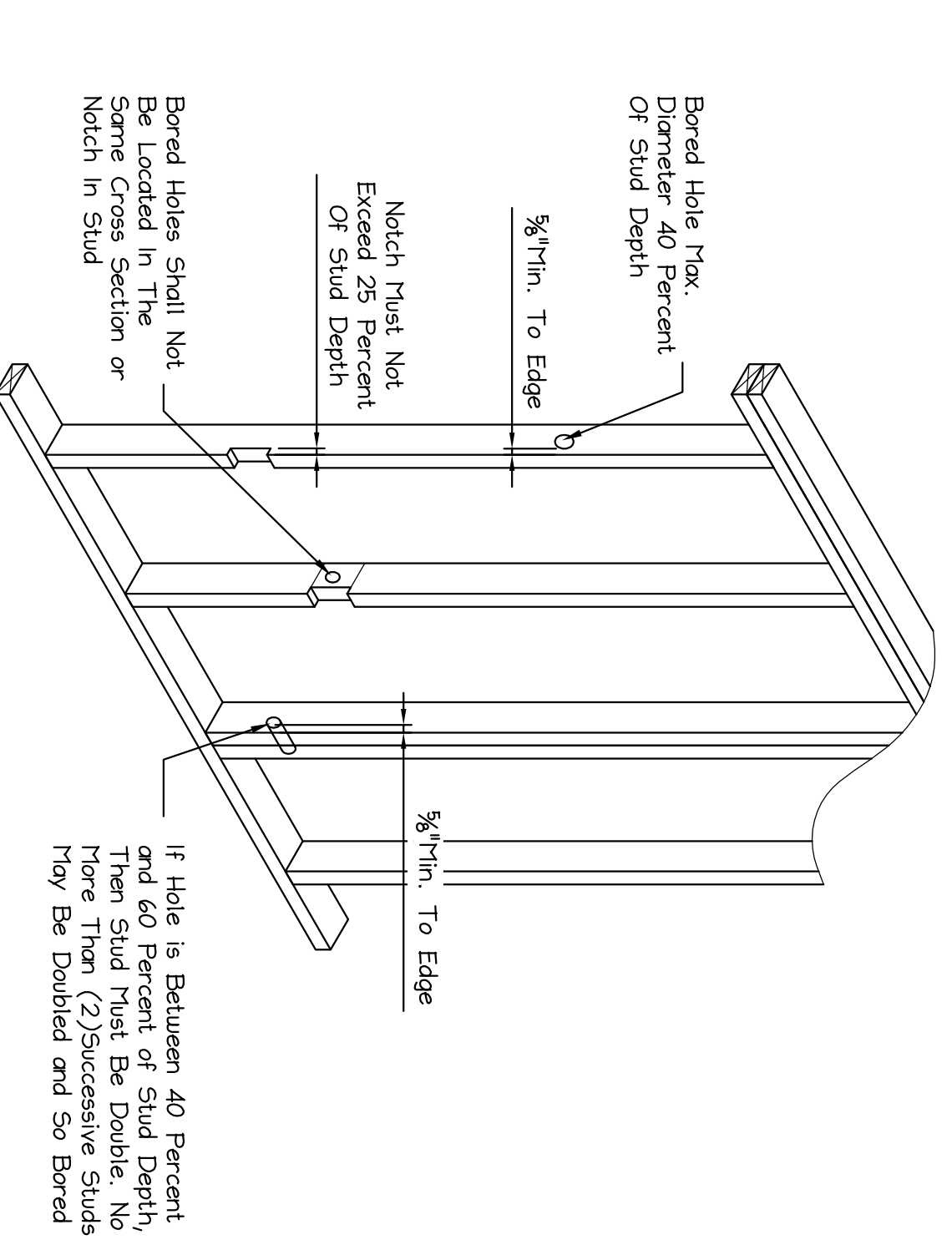
Detail — Floor Joist — Allowable Center Cuts  
Scale: 3/4" = 1'-0"



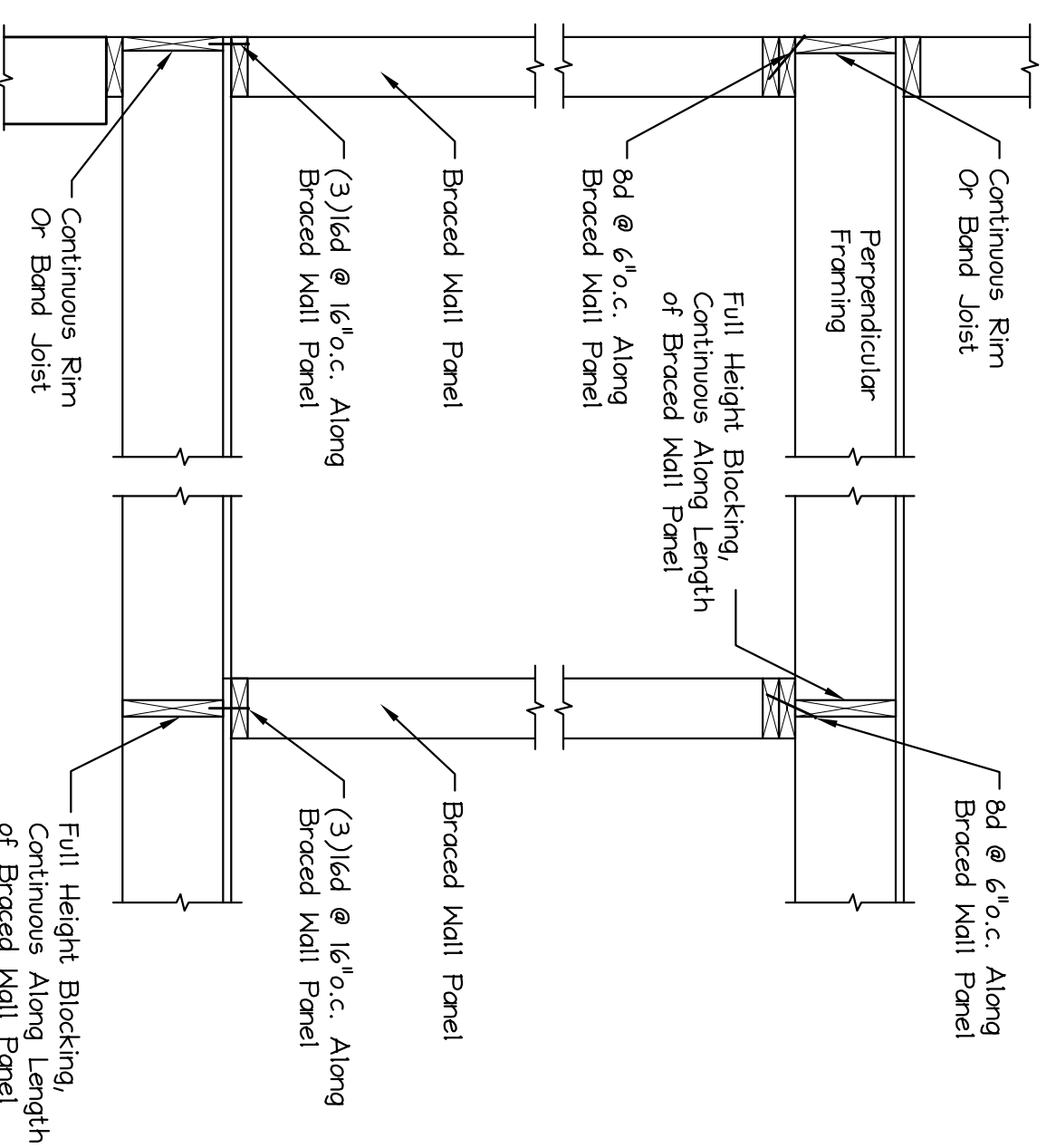
Detail — Floor Joist — Allowable End Cuts  
Scale: 3/4" = 1'-0"



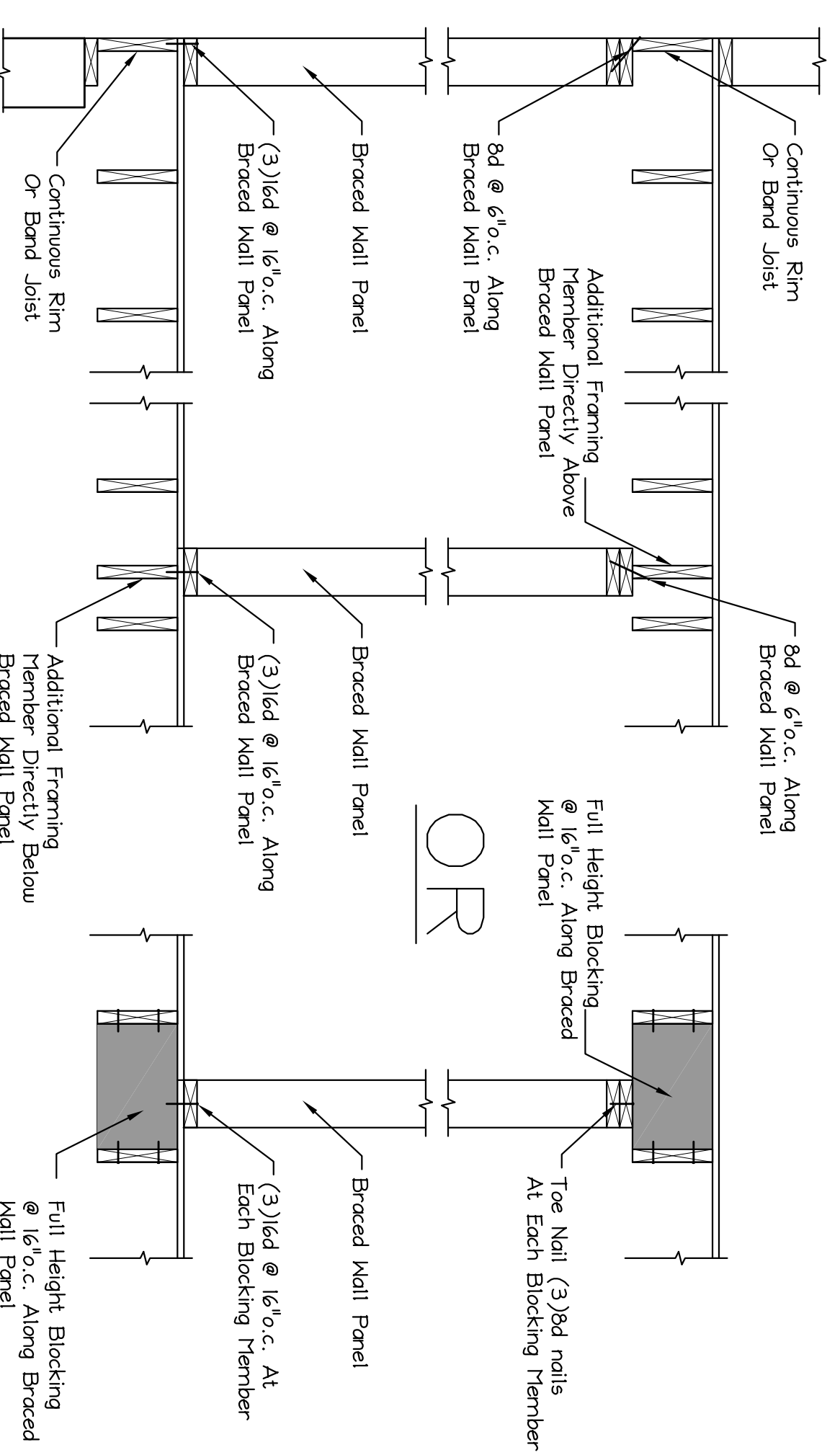
Detail — Floor Joist — Allowable Holes  
Scale: 3/4" = 1'-0"



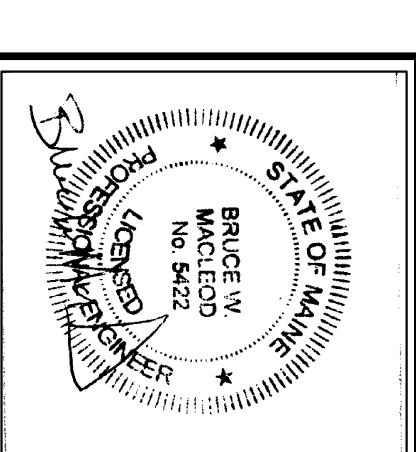
Notching & Bored Hole Limitations  
Detail — Exterior & Bearing Walls  
Scale: 3/4" = 1'-0"



Detail — Braced Wall Panel Connections: Perpendicular  
Scale: 3/4" = 1'-0"



Detail — Braced Wall Panel Connections: Parallel  
Scale: 3/4" = 1'-0"



<b>MACLEOD</b> STRUCTURAL ENGINEERS, P.A. 1000 Pine Street, Suite 200 Philadelphia, PA 19107-2000 Tel: 33 Penned Road Permits, Home	
TITLE:	FRAMING DETAILS
DATE:	10/16/17
SCALE:	as noted
DRAWN BY:	BHW
DRIVING NUMBER:	S-4.1

ISSUED FOR PERMIT  
12/04/17