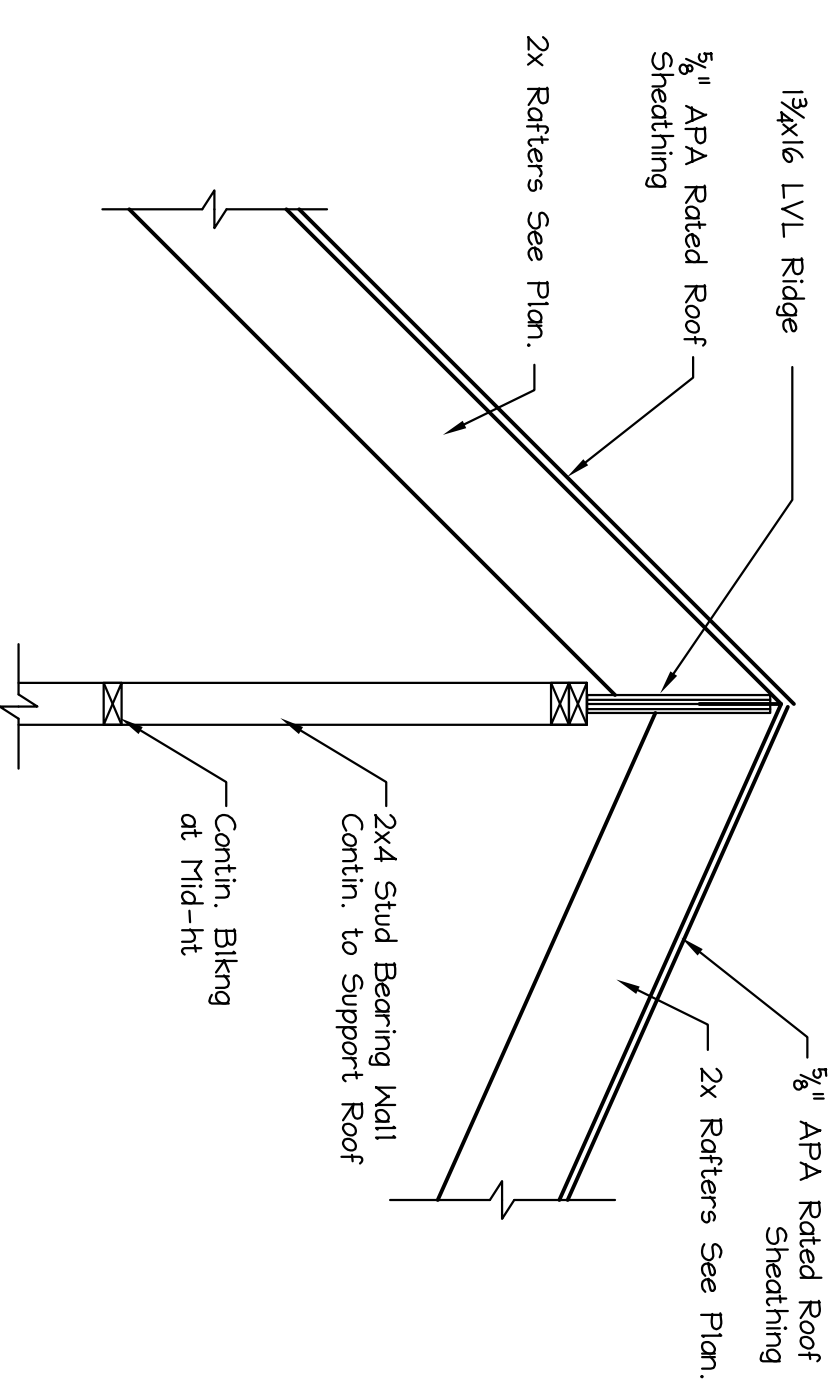
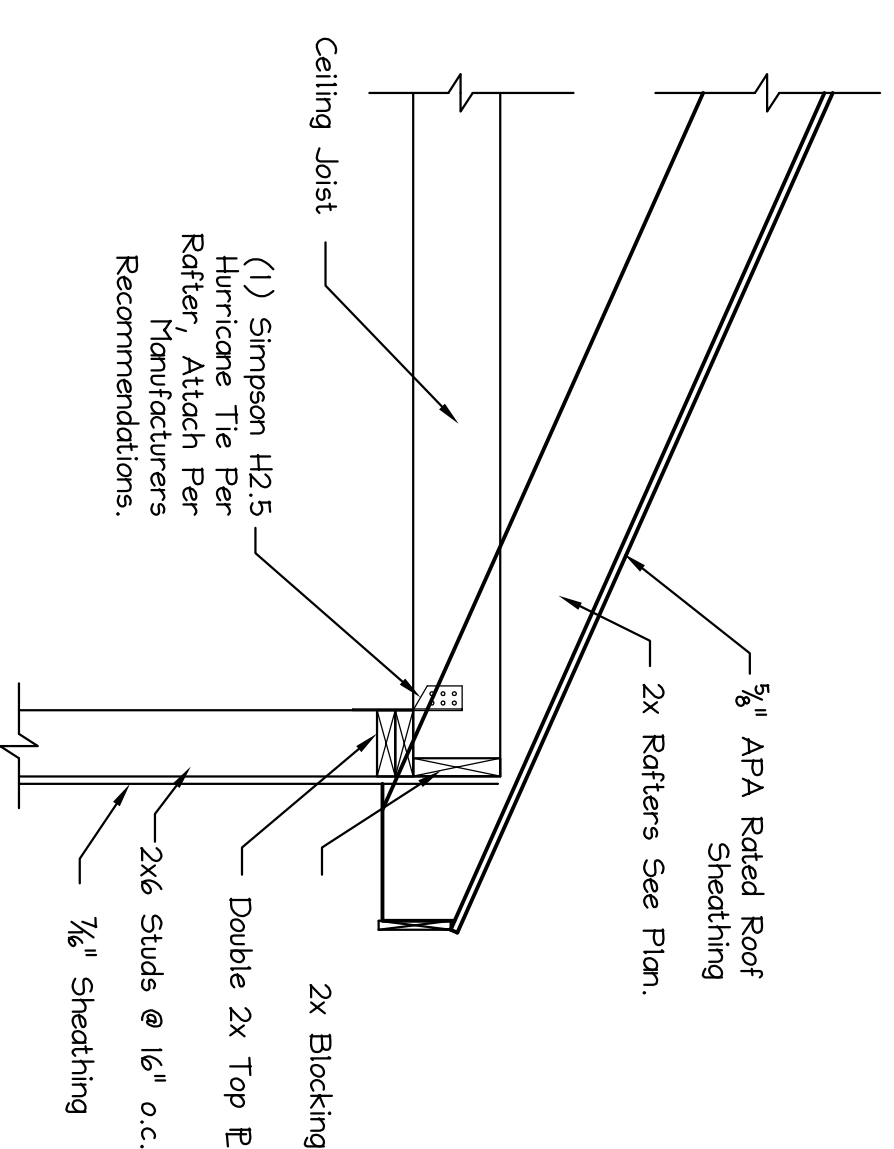


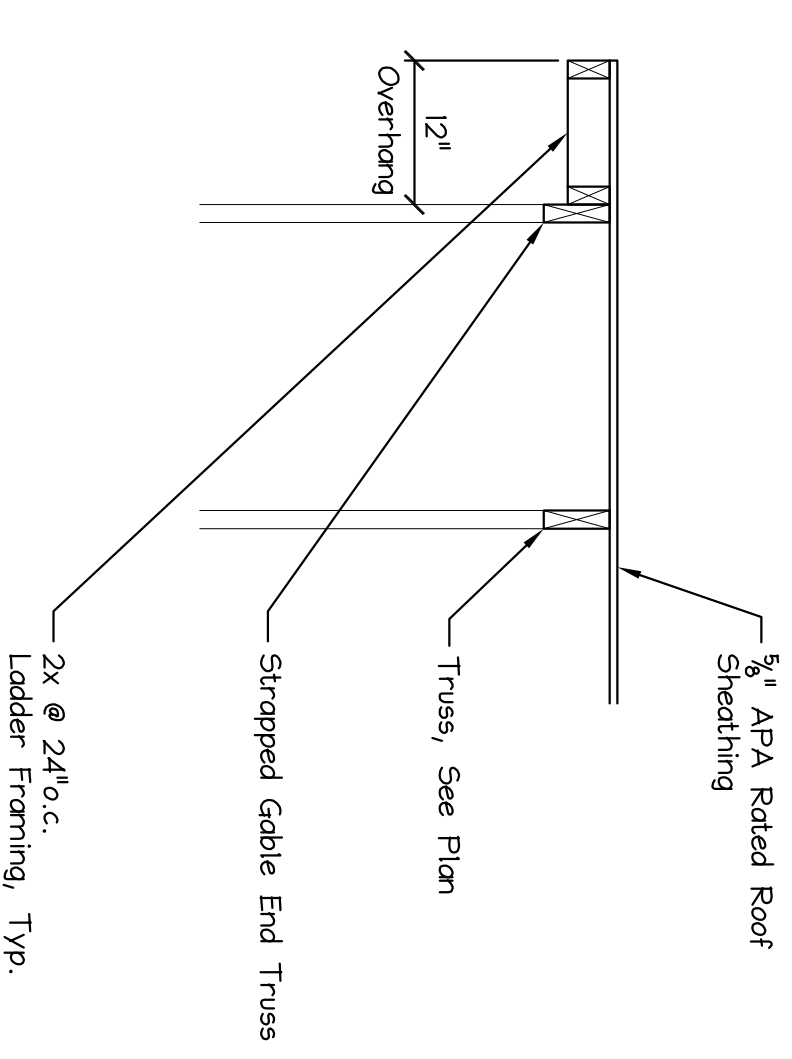
SECTION 1
Scale: 3/4" = 1'-0"



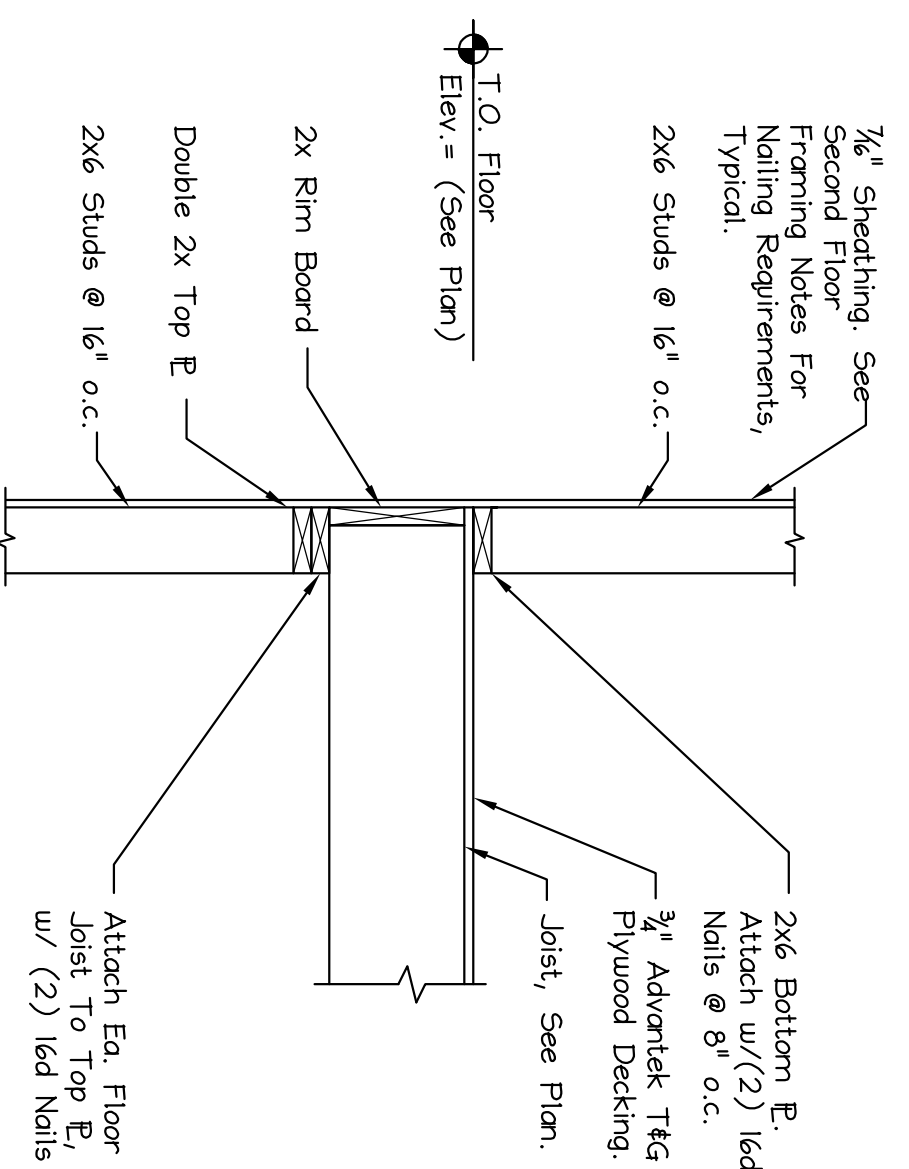
SECTION 2
Scale: 3/4" = 1'-0"



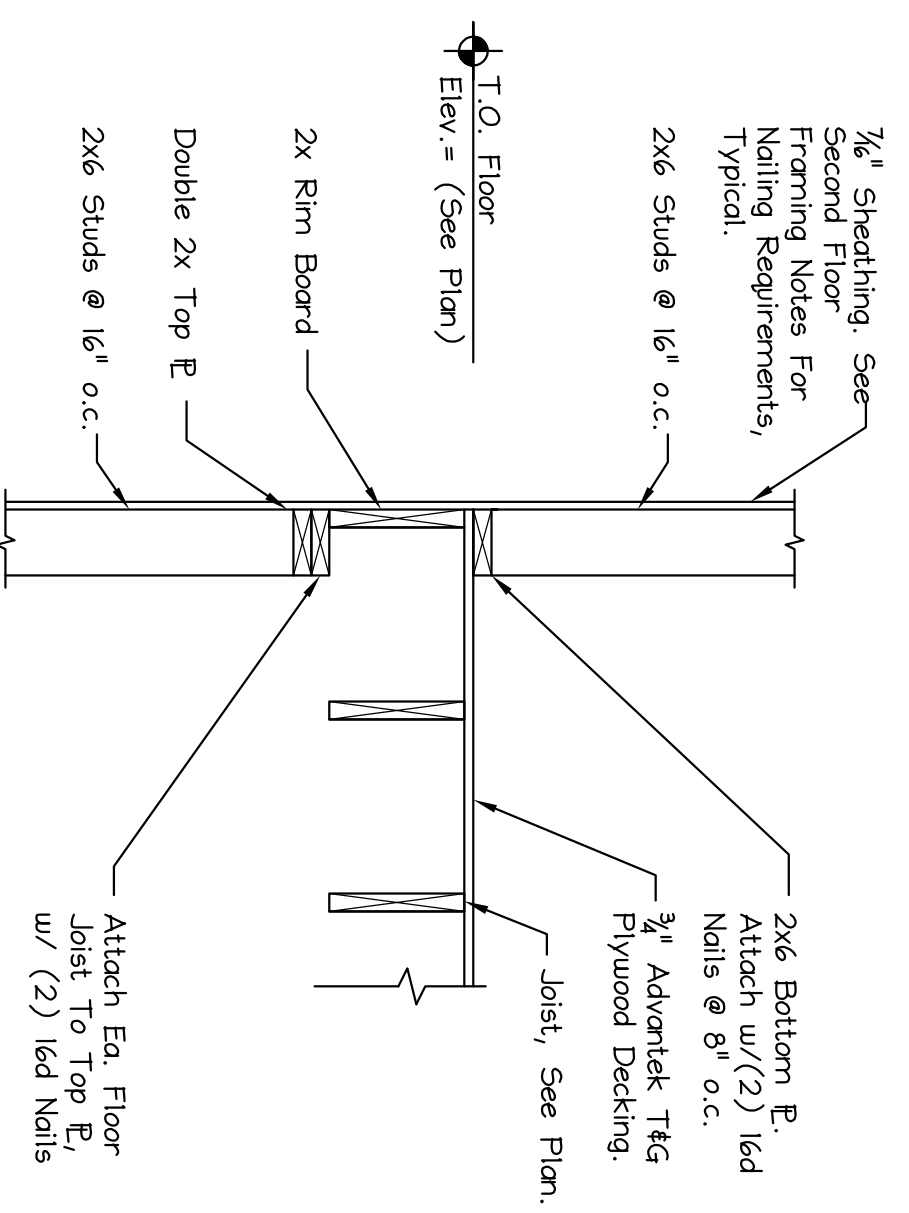
SECTION 3
Scale: 3/4" = 1'-0"



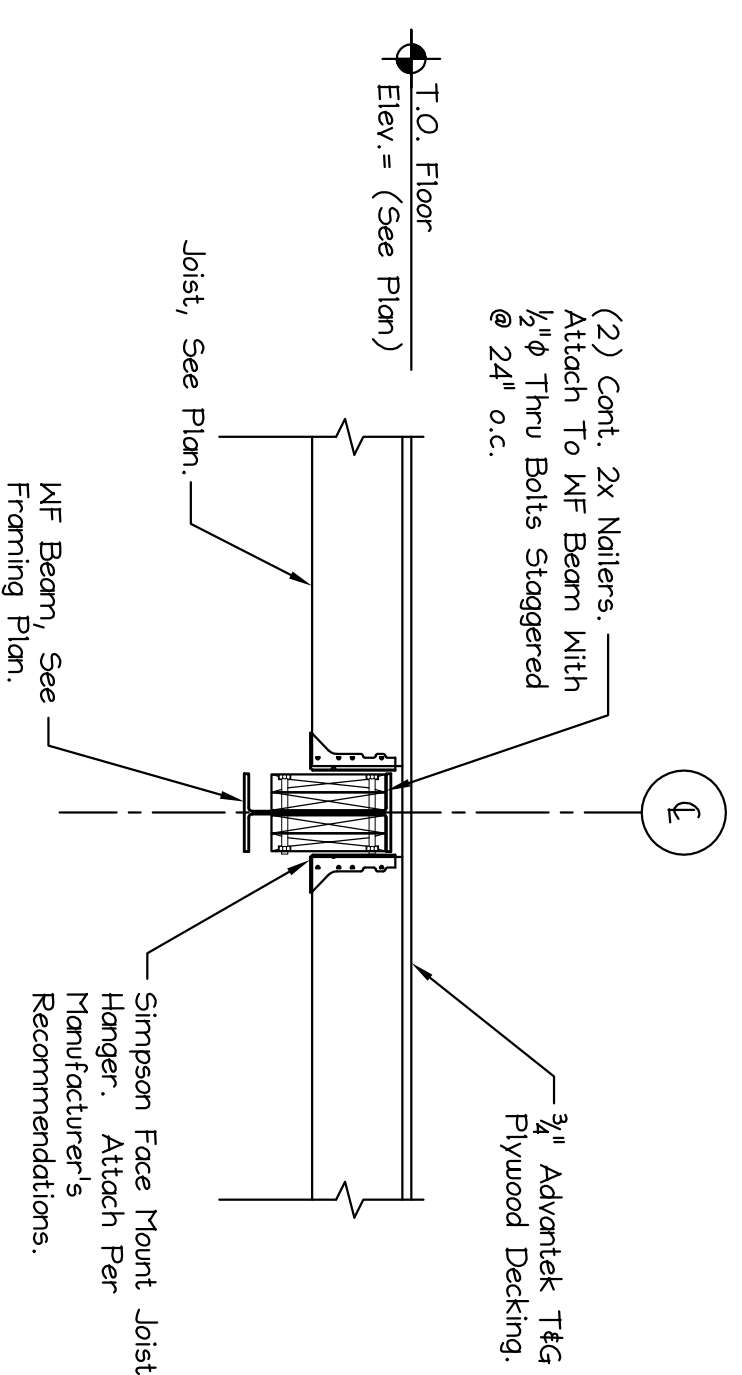
SECTION 4
Scale: 3/4" = 1'-0"



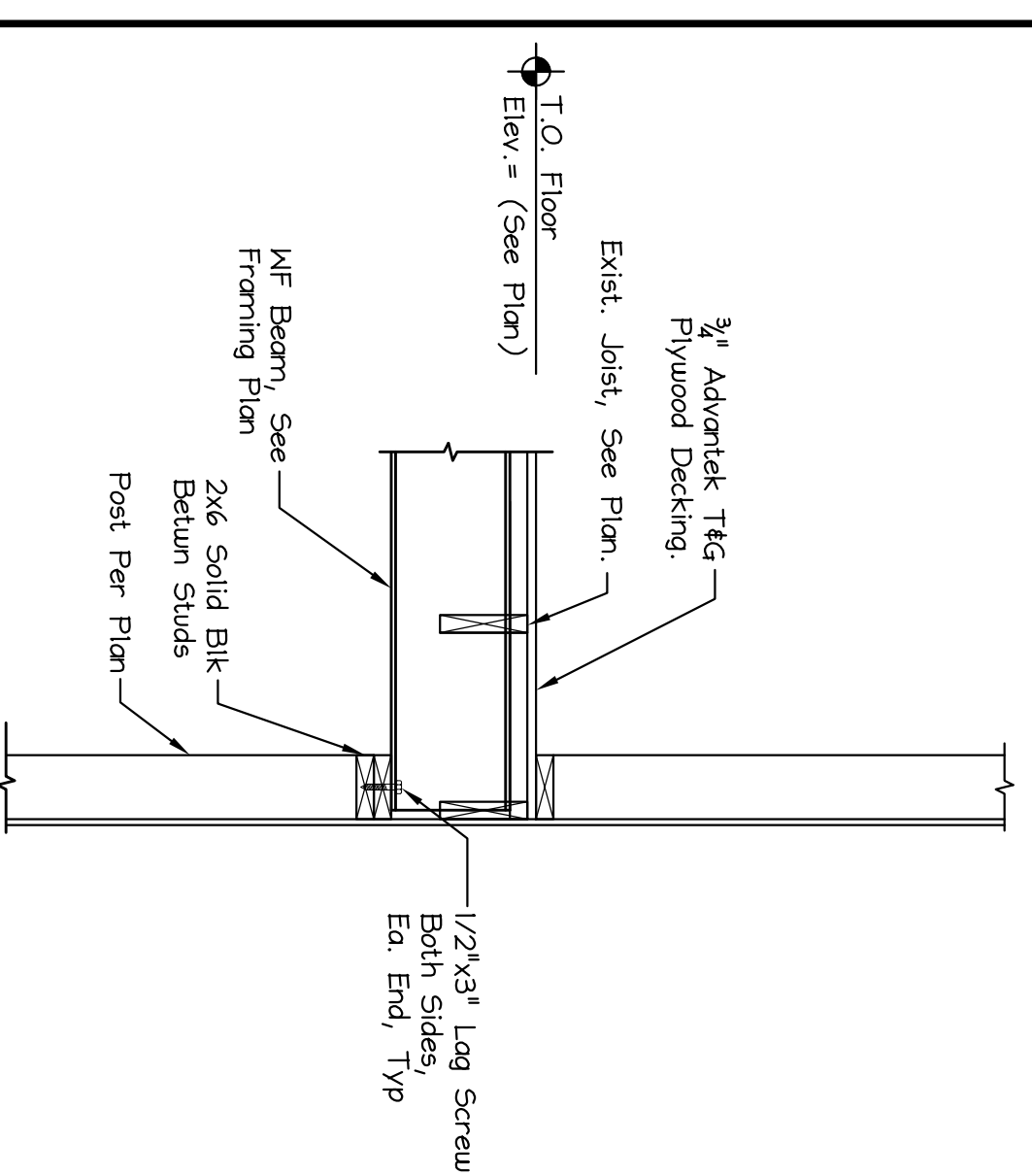
SECTION 5
Scale: 3/4" = 1'-0"



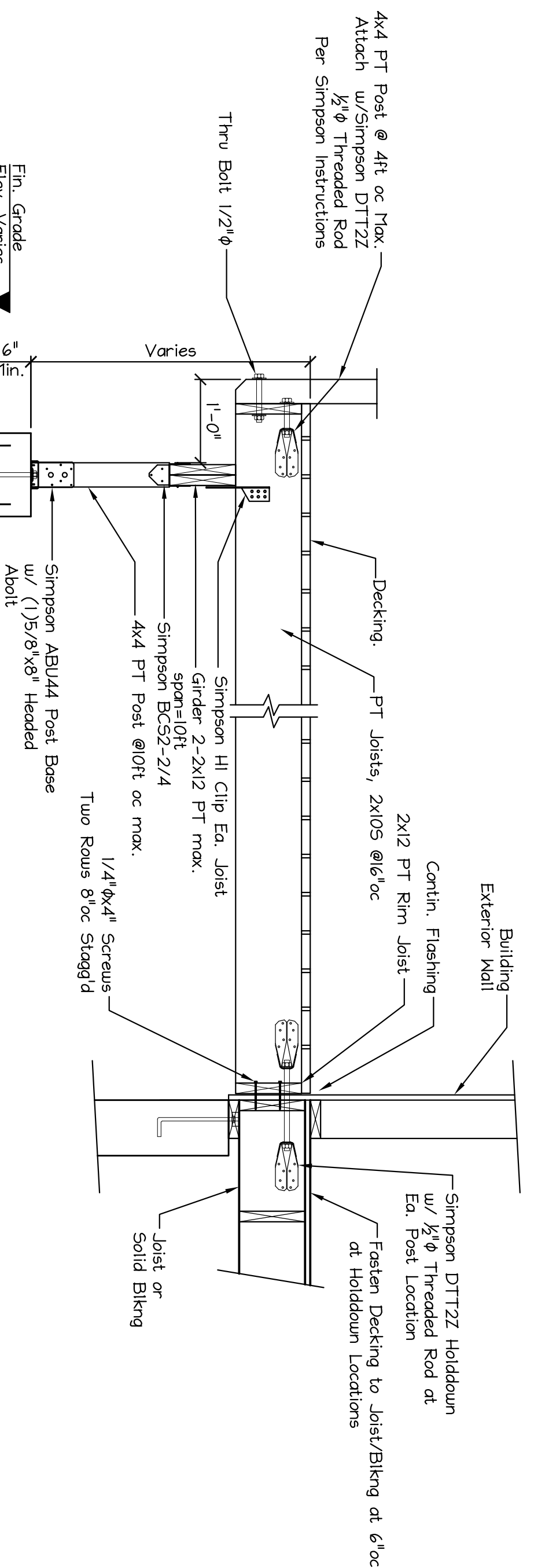
SECTION 6
Scale: 3/4" = 1'-0"



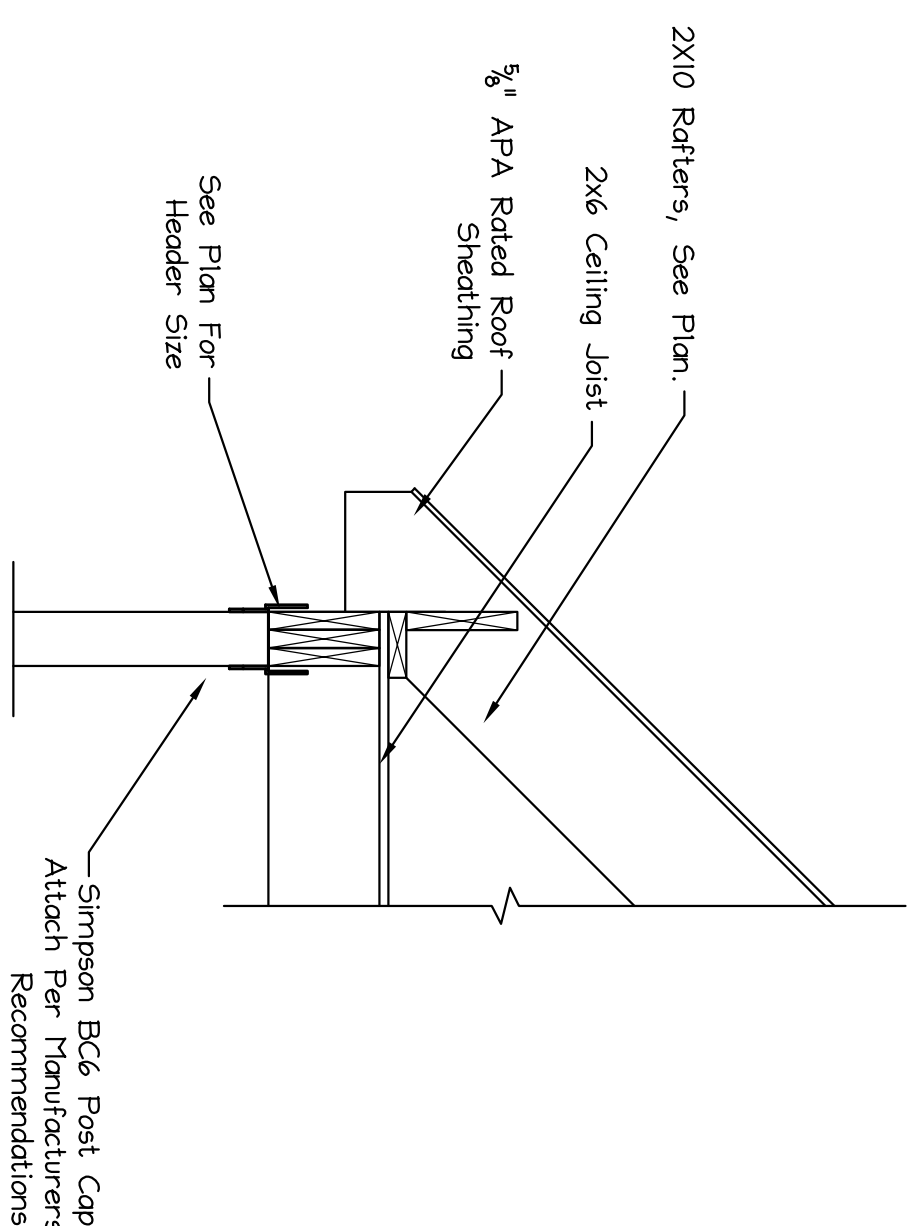
SECTION 7
Scale: 3/4" = 1'-0"



SECTION 8
Scale: 3/4" = 1'-0"



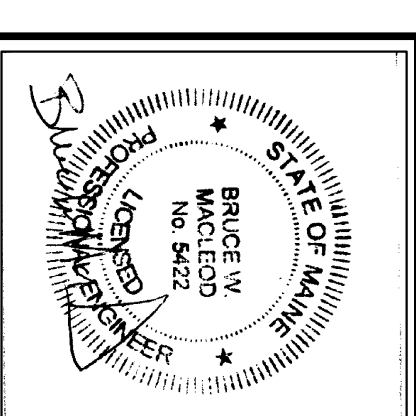
SECTION 9
Scale: 3/4" = 1'-0"



SECTION 10
Scale: 3/4" = 1'-0"

ISSUED FOR PERMIT
10/19/17

MACLEOD
STRUCTURAL ENGINEERS, P.A.
1000 Pine Street, Suite 200
West Chester, OH 45380
REVIEWS RESIDENCE
141 33 Penned Road
Portland, Maine



DATE: 10/16/17
DRAWN BY: BHW
SCALE: as noted
TITLE: FRAMING SECTIONS
DRAWING NUMBER: S-4