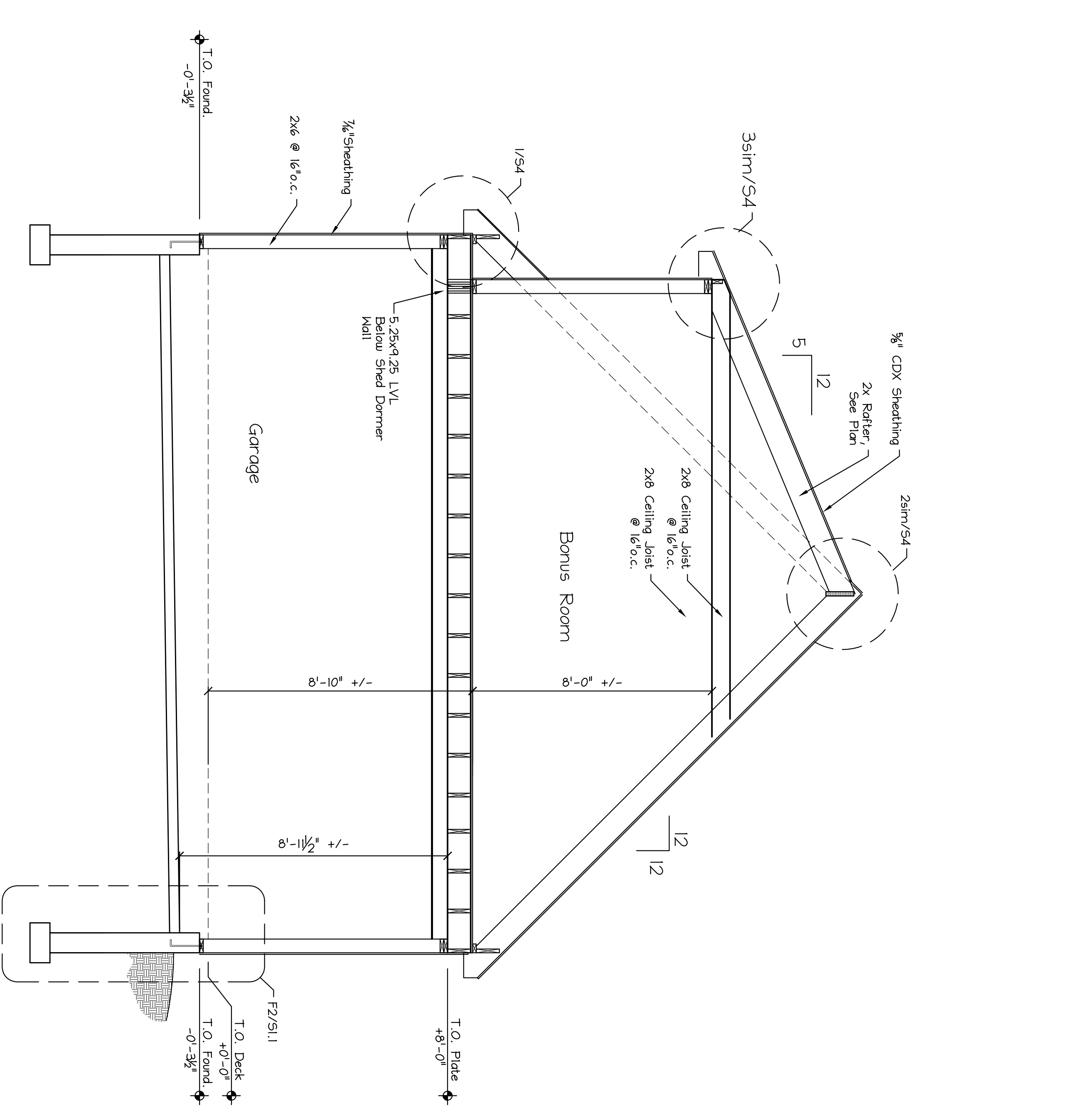


SECTION A
Scale: 3/8" = 1'-0"



SECTION B
Scale: 3/8" = 1'-0"

ISSUED FOR PERMIT
10/19/17

<p>MACLEOD STRUCTURAL ENGINEERS, P.A. 1000 Pine Street, Suite 200 Westport, New York 10988 Tel: 845-366-8888</p>	
<p>Reeves Residence Lot 33 Penned Road Portland, Maine</p>	
<p>DATE: 10/16/17 SCALE: as noted</p>	<p>DRAWN BY: BHW PROJ. NO: 2017-081</p>
<p>TITLE: FRAMING SECTIONS DRAWING NUMBER: S-3</p>	

