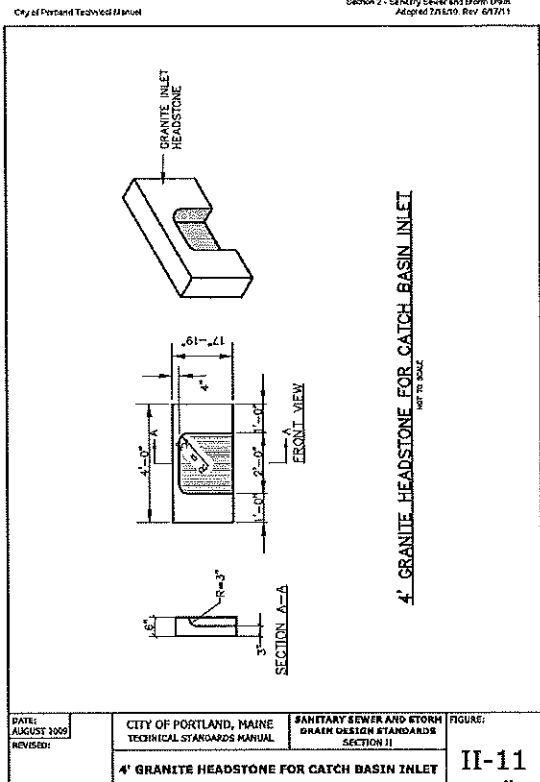
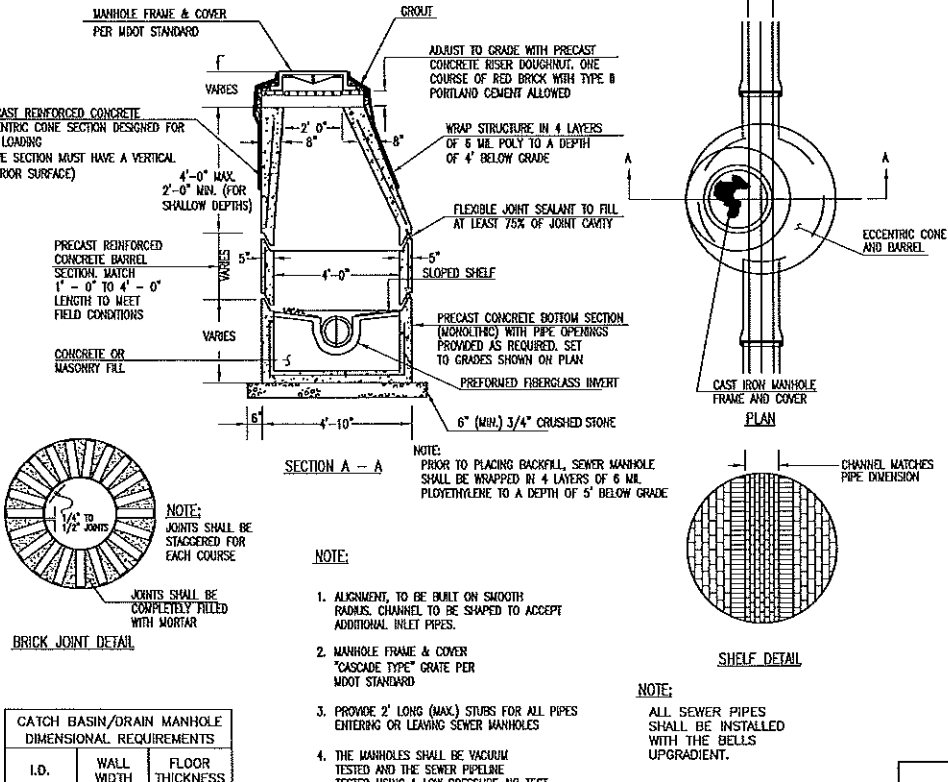


DATE: AUGUST 2009	CITY OF PORTLAND, MAINE TECHNICAL STANDARDS MANUAL	TRANSPORTATION SYSTEMS AND STREET DESIGN SECTION I	FIGURE: I-13
REVISED:			

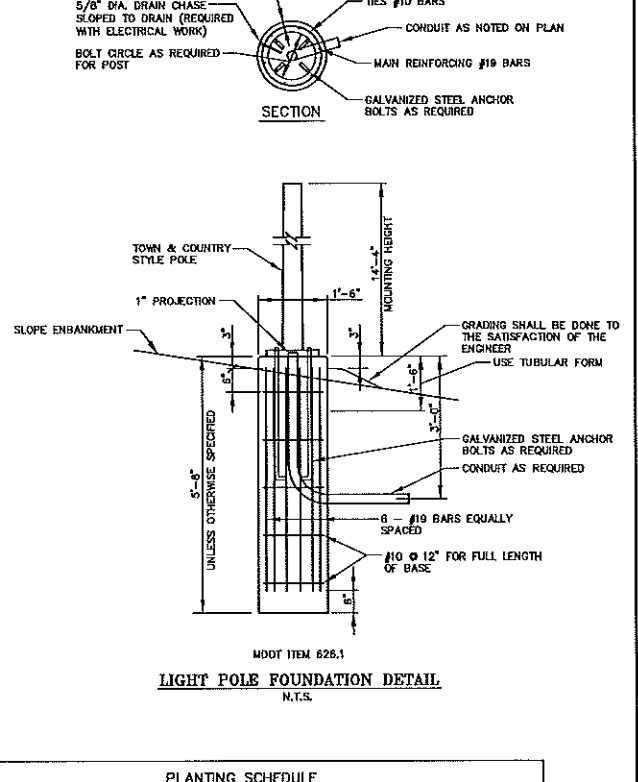


DATE: AUGUST 2009	CITY OF PORTLAND, MAINE TECHNICAL STANDARDS MANUAL	SANITARY SEWER AND STORM DRAIN DESIGN STANDARDS SECTION II	FIGURE: II-11
REVISED:			



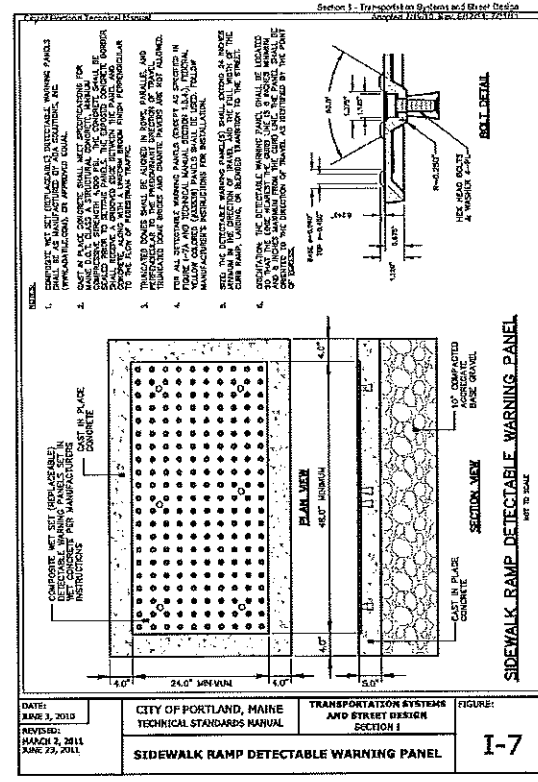
I.D.	WALL WIDTH	FLOOR THICKNESS
4'-0"	5"	6"
5'-0"	6"	6"
6'-0"	7"	6"
8'-0"	8"	6"
10'-0"	10"	9"

- NOTE: MANHOLE, FRAME AND COVER SHALL BE DESIGNED TO WITHSTAND HS-20 LOADING.
- CONSTRUCT IN ACCORDANCE WITH PWD (PROJ SPEC 33 05 13)
- ALIGNMENT, TO BE BUILT ON SMOOTH RADIUS CHANNEL TO BE SHAPED TO ACCEPT ADDITIONAL INLET PIPES.
 - MANHOLE FRAME & COVER "CASCADE TYPE" GRATE PER MDOT STANDARD
 - PROVIDE 2' LONG (MAX.) STUBS FOR ALL PIPES ENTERING OR LEAVING SEWER MANHOLES
 - THE MANHOLES SHALL BE VACUUM TESTED AND THE SEWER PIPELINE TESTED USING A LOW PRESSURE AIR TEST IN ACCORDANCE WITH TOWN SPECIFICATIONS.
 - FOR SHALLOW MANHOLES, A 2' CONE MAY BE USED.
 - FLEXIBLE RUBBER BOOT OR APPROVED EQUAL SHALL BE EQUIPPED WITH A MINIMUM OF 2 STAINLESS STEEL BANDS

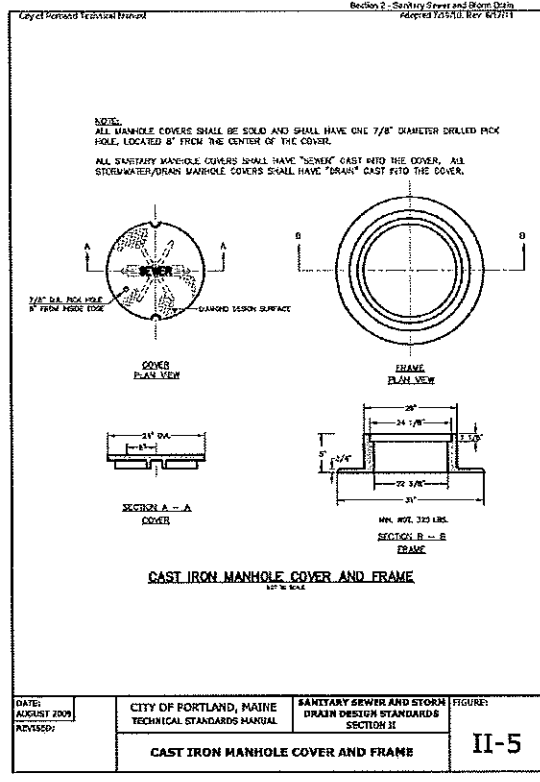


QUANTITY	BOTANICAL NAME	COMMON NAME	SIZE
20*	ACER RUBRUM 'RED SUNSET'	RED SUNSET MAPLE*	6"-7"

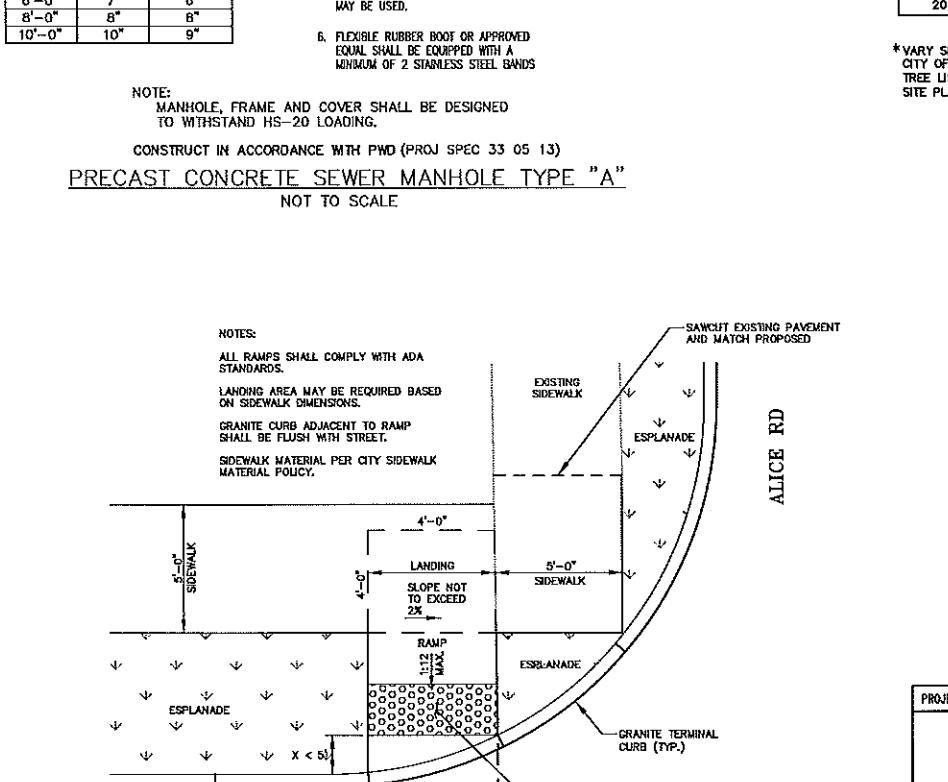
*VARY SPECIES FROM 2014 CITY OF PORTLAND APPROVED TREE LIST (SEE NOTE #2 ON SITE PLAN)



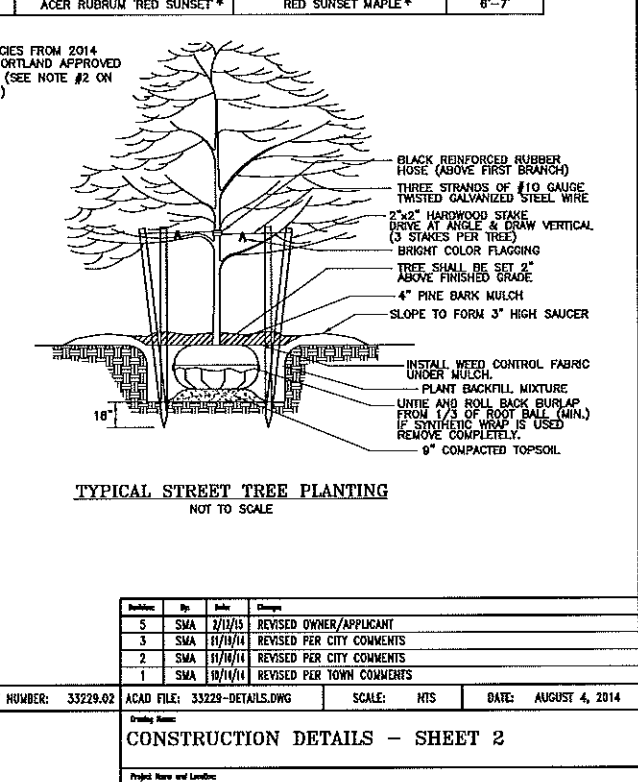
DATE: MARCH 3, 2010	CITY OF PORTLAND, MAINE TECHNICAL STANDARDS MANUAL	TRANSPORTATION SYSTEMS AND STREET DESIGN SECTION I	FIGURE: I-7
REVISED: MARCH 3, 2011; JUNE 23, 2011			



DATE: AUGUST 2009	CITY OF PORTLAND, MAINE TECHNICAL STANDARDS MANUAL	SANITARY SEWER AND STORM DRAIN DESIGN STANDARDS SECTION II	FIGURE: II-5
REVISED:			



DATE: AUGUST 2009	CITY OF PORTLAND, MAINE TECHNICAL STANDARDS MANUAL	SANITARY SEWER AND STORM DRAIN DESIGN STANDARDS SECTION II	FIGURE: II-5
REVISED:			



PROJECT NUMBER: 33229.02	ACAD FILE: 33229-DETAILS.DWG	SCALE: HTS	DATE: AUGUST 4, 2014
CONSTRUCTION DETAILS - SHEET 2			
Project Name and Location: PAMELA ROAD EXTENSION, PAMELA ROAD, PORTLAND, MAINE 04101			
Prepared For: GENEVA VENTURES, LLC, 190 US Route 1, PWB 161, FALMOUTH, MAINE 04105			

PAMELA RD
(MIRROR IMAGE ON OTHER SIDE)
SIDEWALK LAYOUT DETAIL
N.T.S.

SURVEYING ENGINEERING LAND PLANNING Northeast Civil Solutions INCORPORATED 153 US ROUTE 1, SCARBOROUGH, MAINE 04074 Tel: 207.883.1000 Fax: 207.883.1001 600.882.2227 Email: info@northeastcivilsolutions.com	