

12 WHITE PINE WAY
FALMOUTH, MAINE 04105
CEL. (207) 632-5320
MIKE@CDDHOME.COM

PROJECT NAME
**REQUIA
SPEC #2**

PROJECT LOCATION
PORTLAND, MAINE

BUILT BY

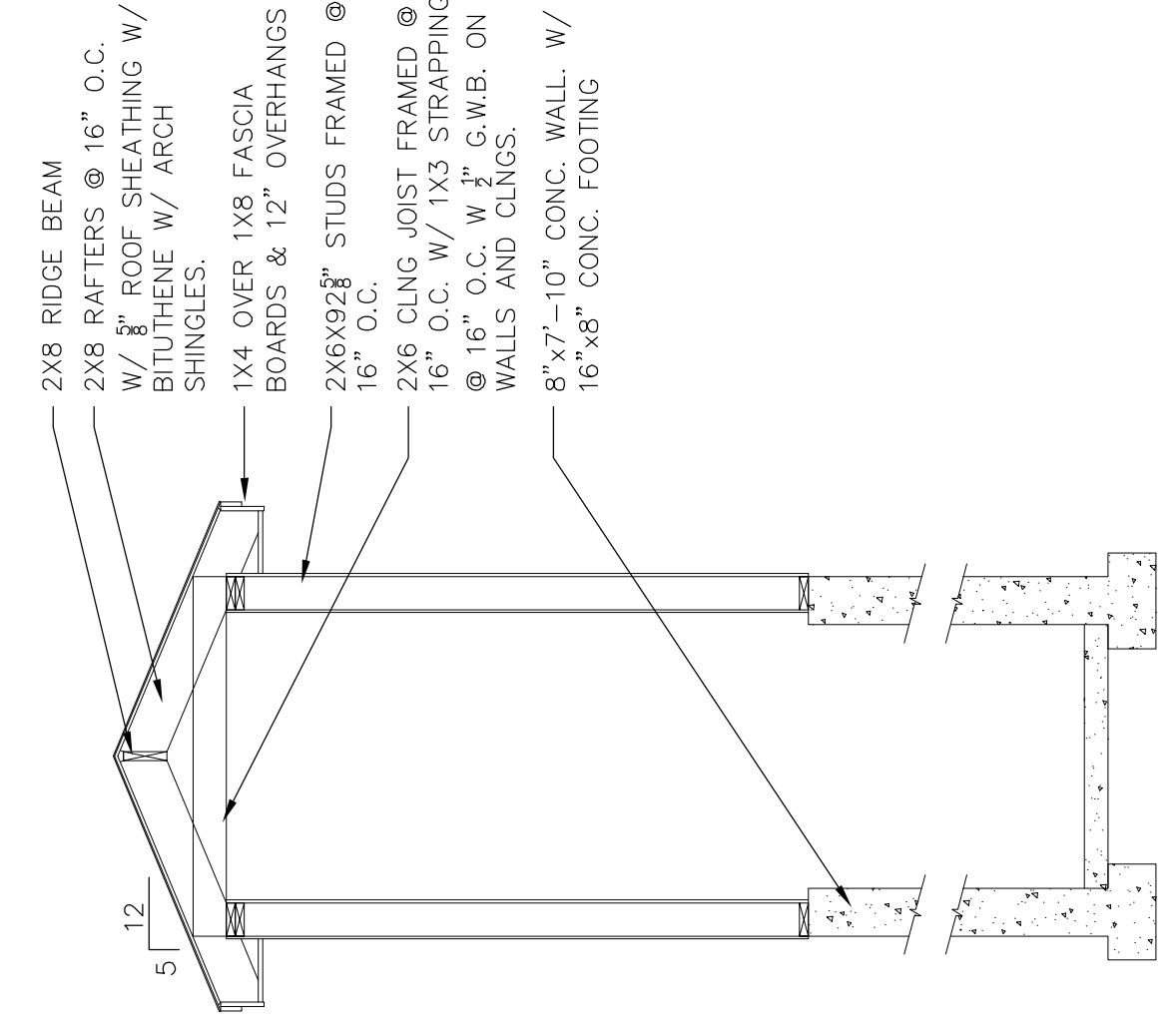
SHEET NAME
**CROSS
SECTION'S &
DETAILS**

© ALL RIGHTS RESERVED
ALL IDEAS, DESIGNS AND PLANS INDICATED OR REPRESENTED BY THESE DRAWINGS ARE THE PROPERTY OF CURRAN DRAFTING AND DESIGN. THEY WERE CREATED AND DEVELOPED FOR USE ON OR IN CONNECTION WITH THE SPECIFIED PROJECT NAME & SHALL BE REUSED, REPRODUCED OR COPIED BY ANYONE FOR ANY PURPOSE WITHOUT THE WRITTEN PERMISSION OF CURRAN DRAFTING AND DESIGN. THESE PLANS ARE INTENDED FOR A ONE-COPY USE ONLY. IF THE TITLE BLOCK IS NOT "RED" IN COLOR.

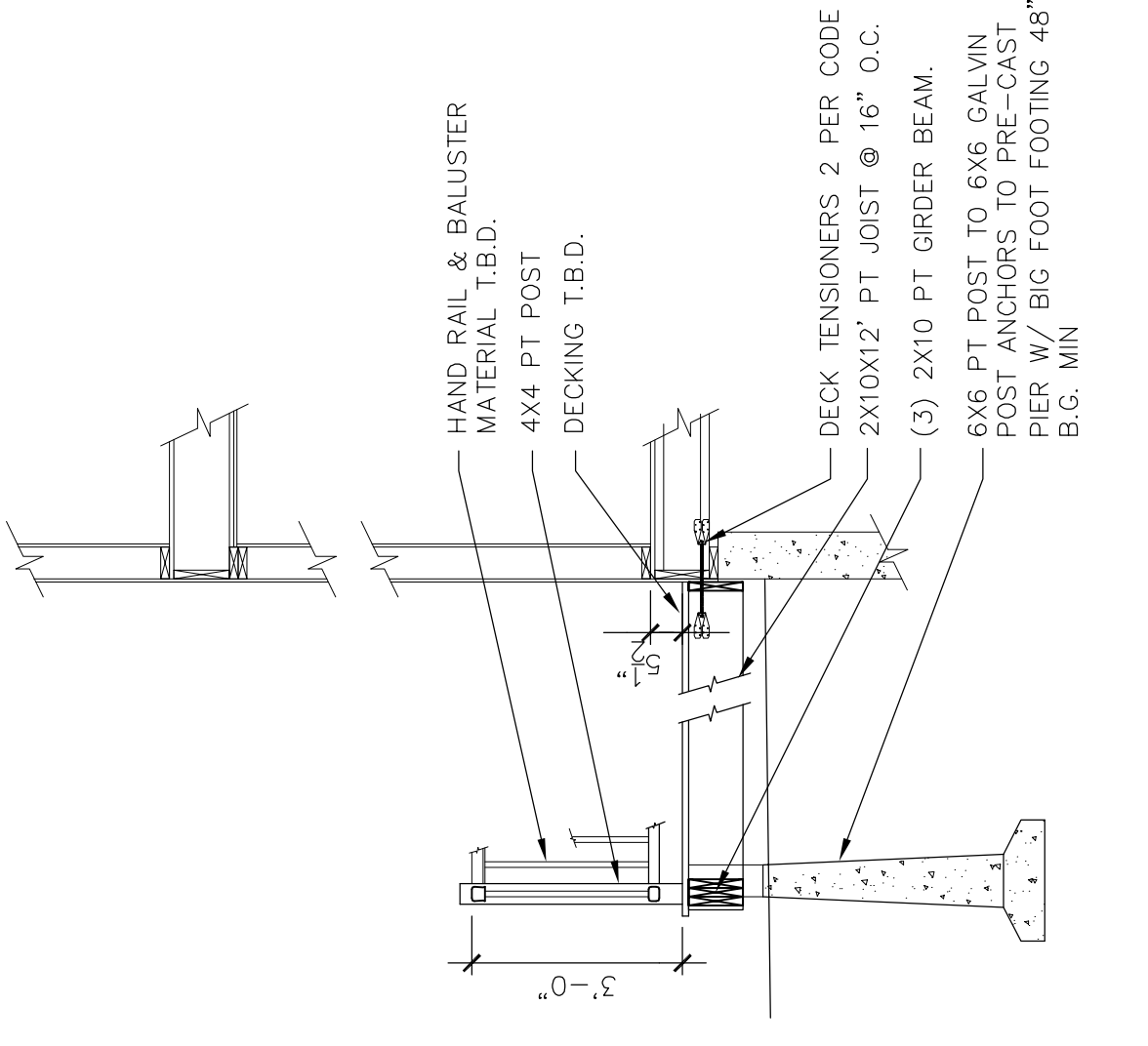
DRAWN BY: M.P.C.
CHECKED BY: M.P.C.

SCALE: AS-NOTED
DATE: 10/28/16
FILE NUMBER 16-0046
REVISIONS:

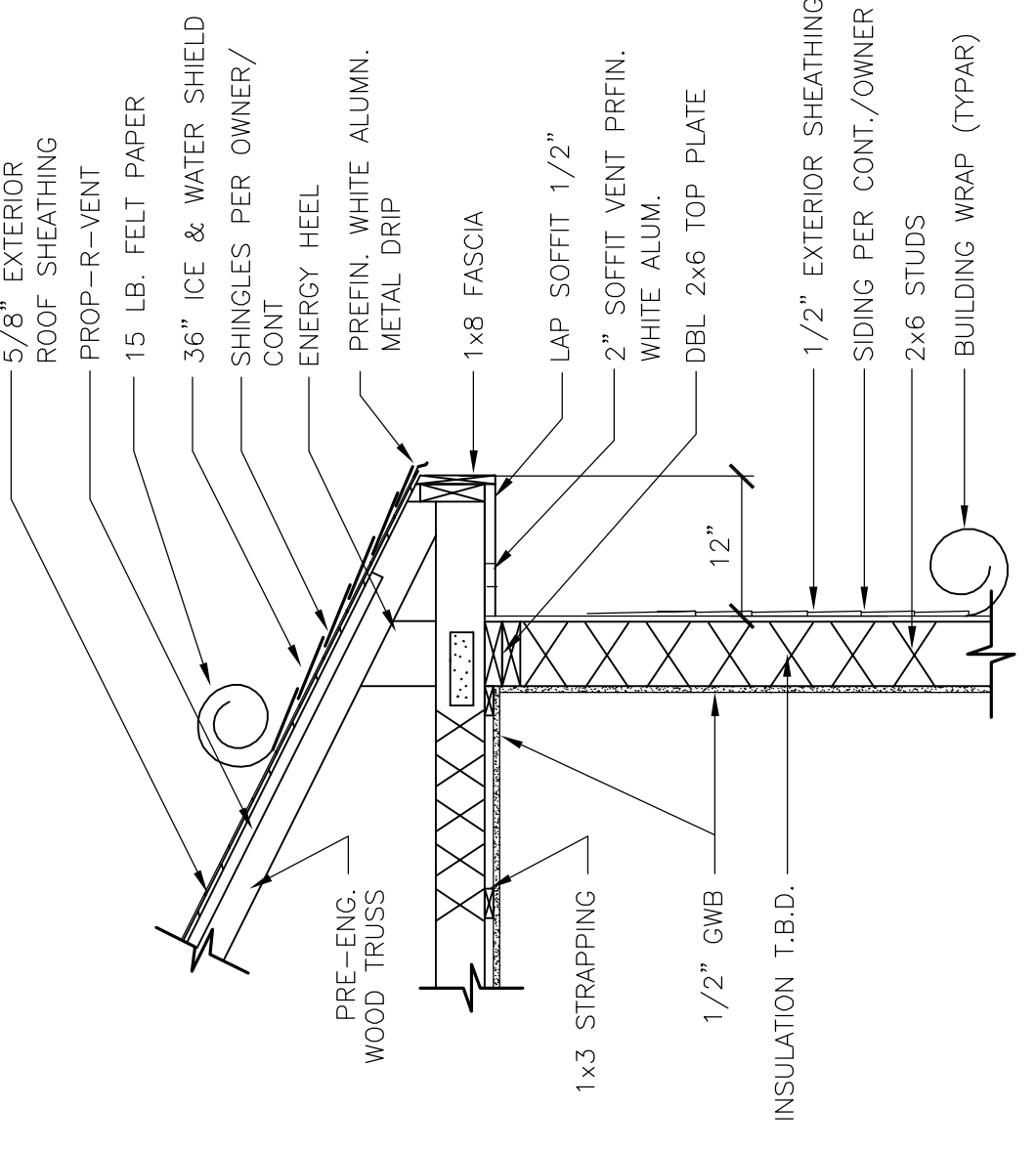
A-7



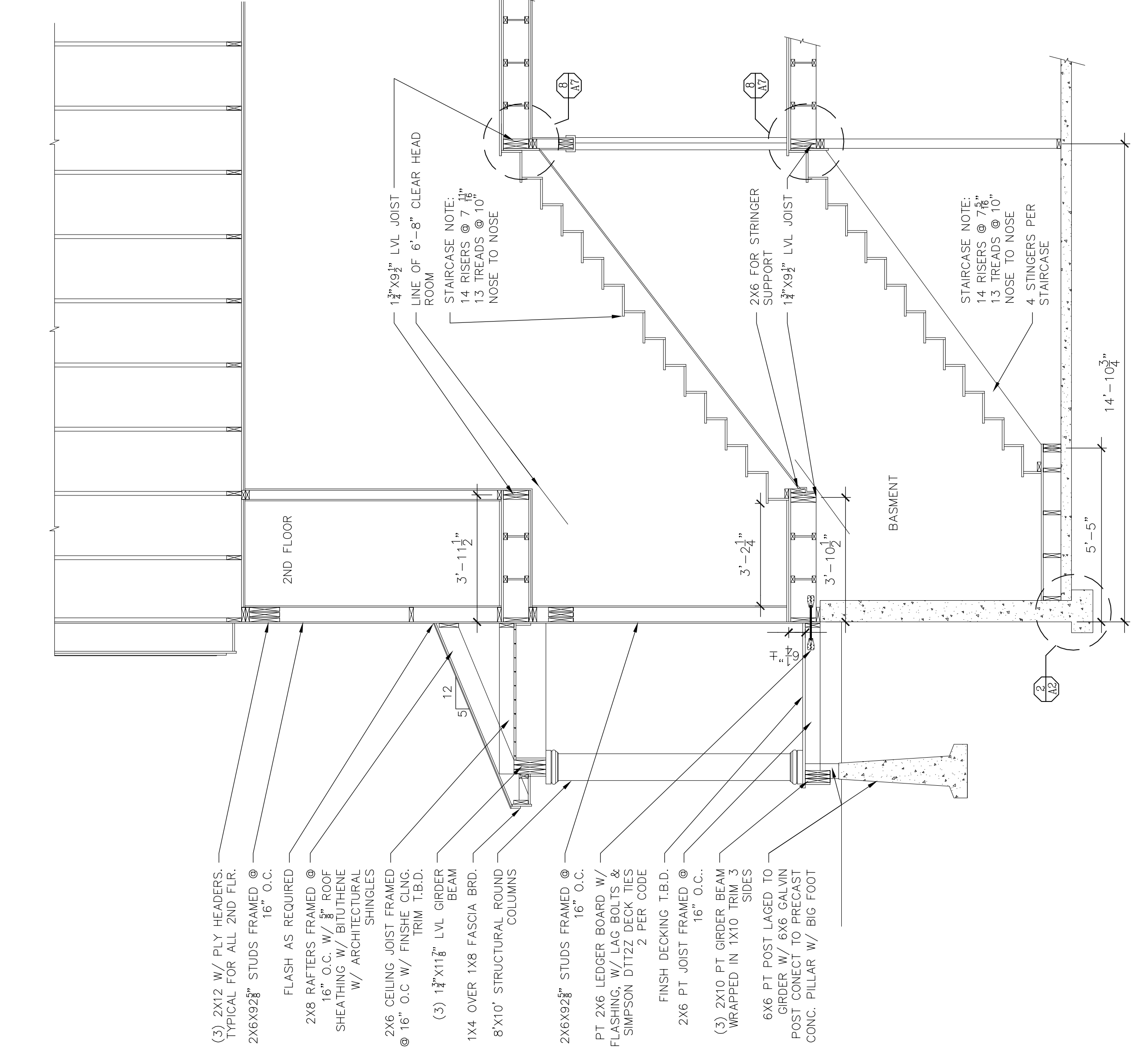
3 DECK CROSS SECTION
3/8" = 1'-0"



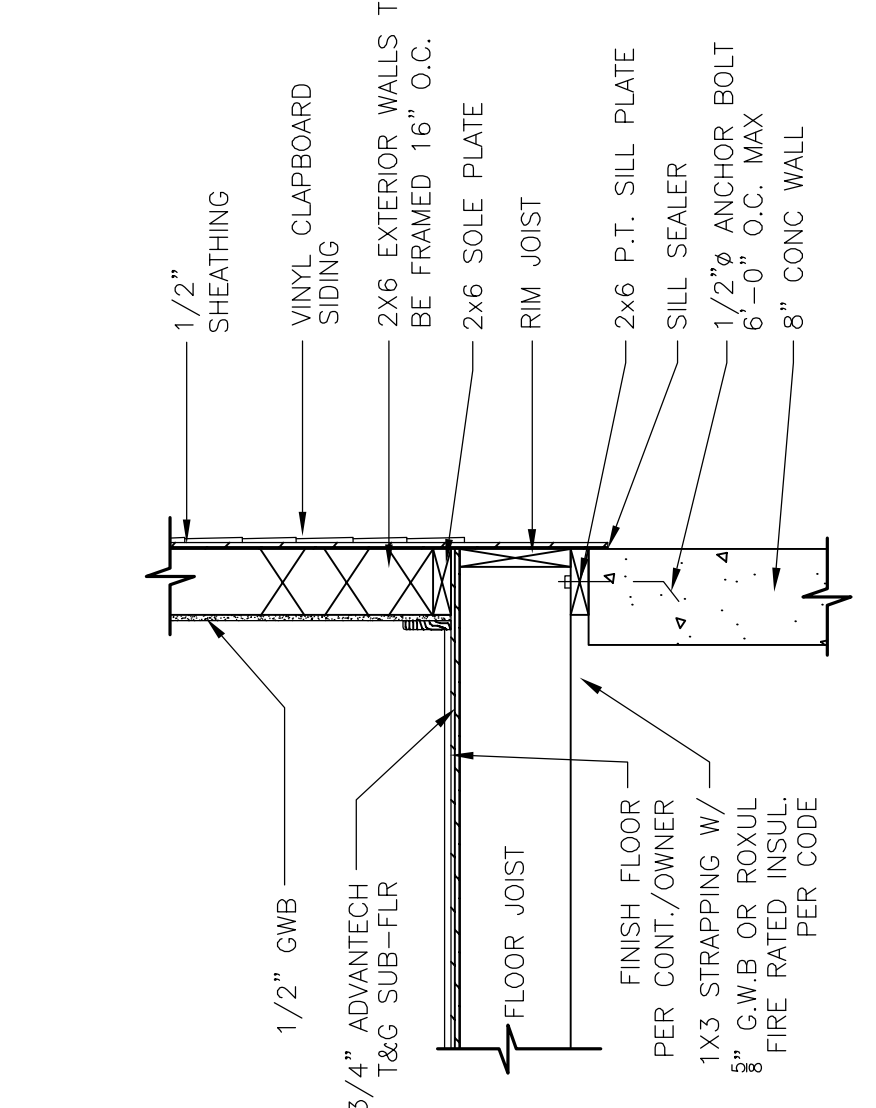
4 DOGHOUSE CROSS SECTION
3/8" = 1'-0"



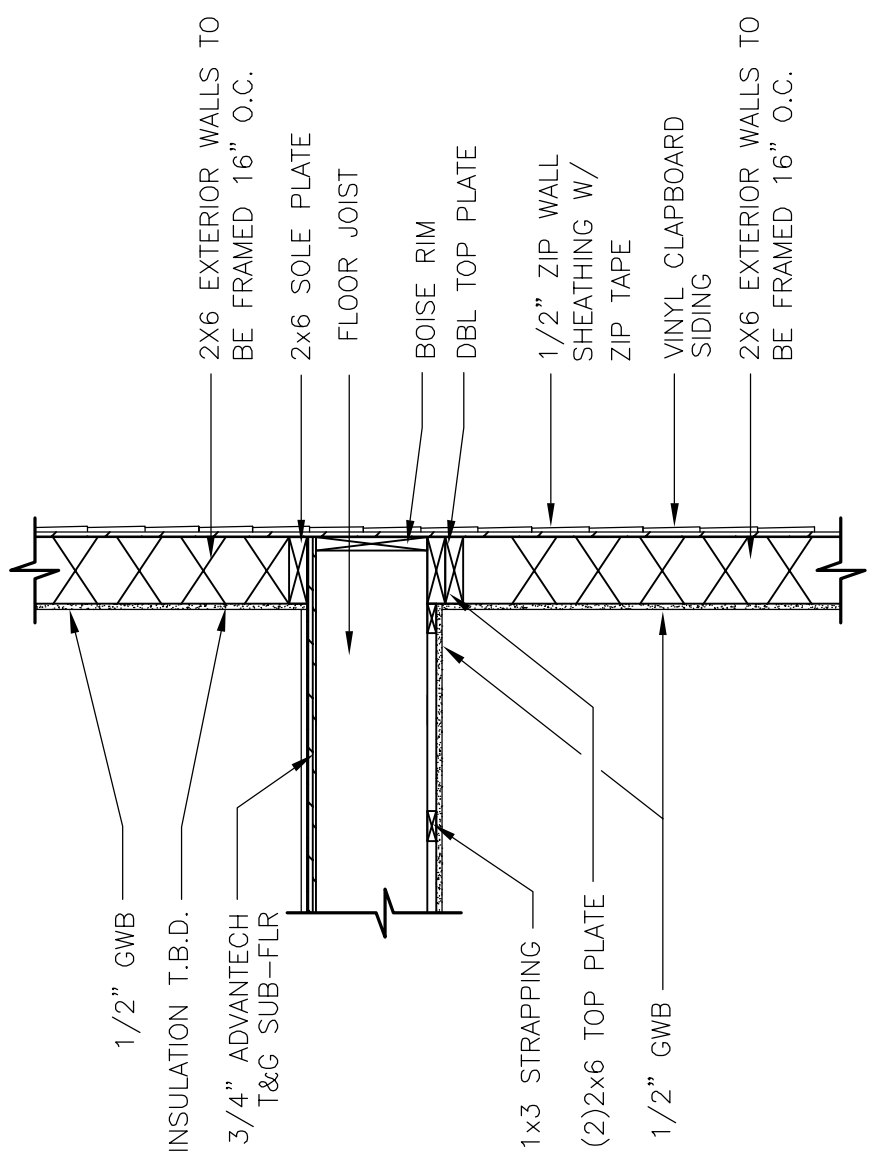
5 STAIR ATTACHMENT DETAIL
3/4" = 1'-0"



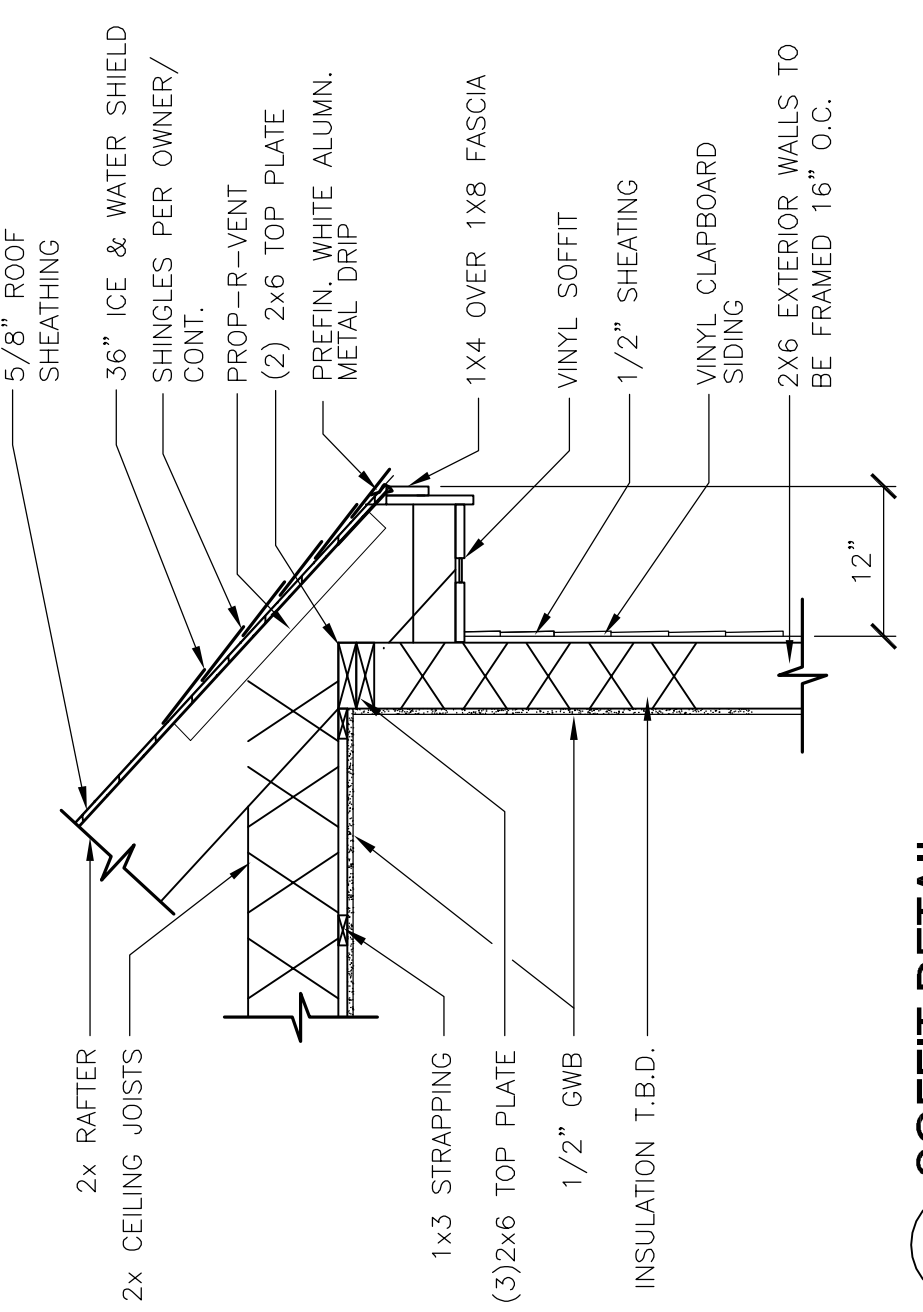
1 PORCH & STAIRCASE CROSS SECTION
3/8" = 1'-0"



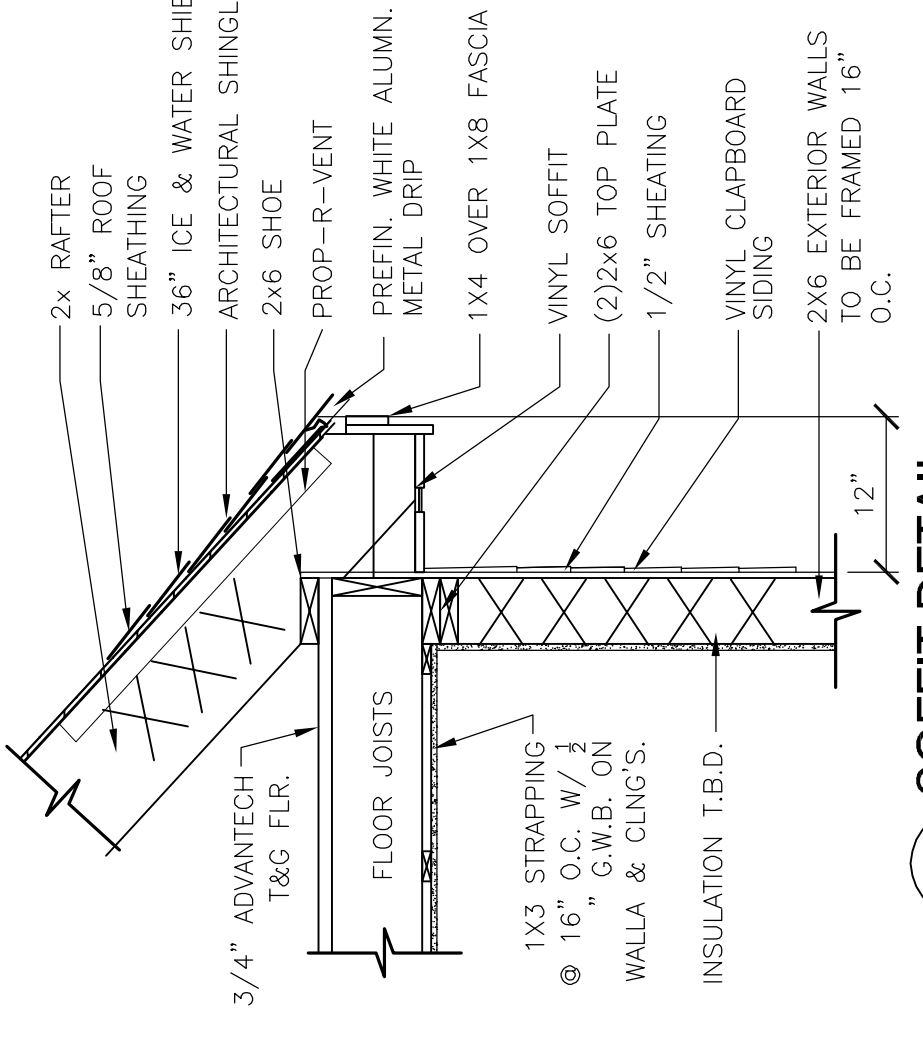
2 DOGHOUSE CROSS SECTION
3/8" = 1'-0"



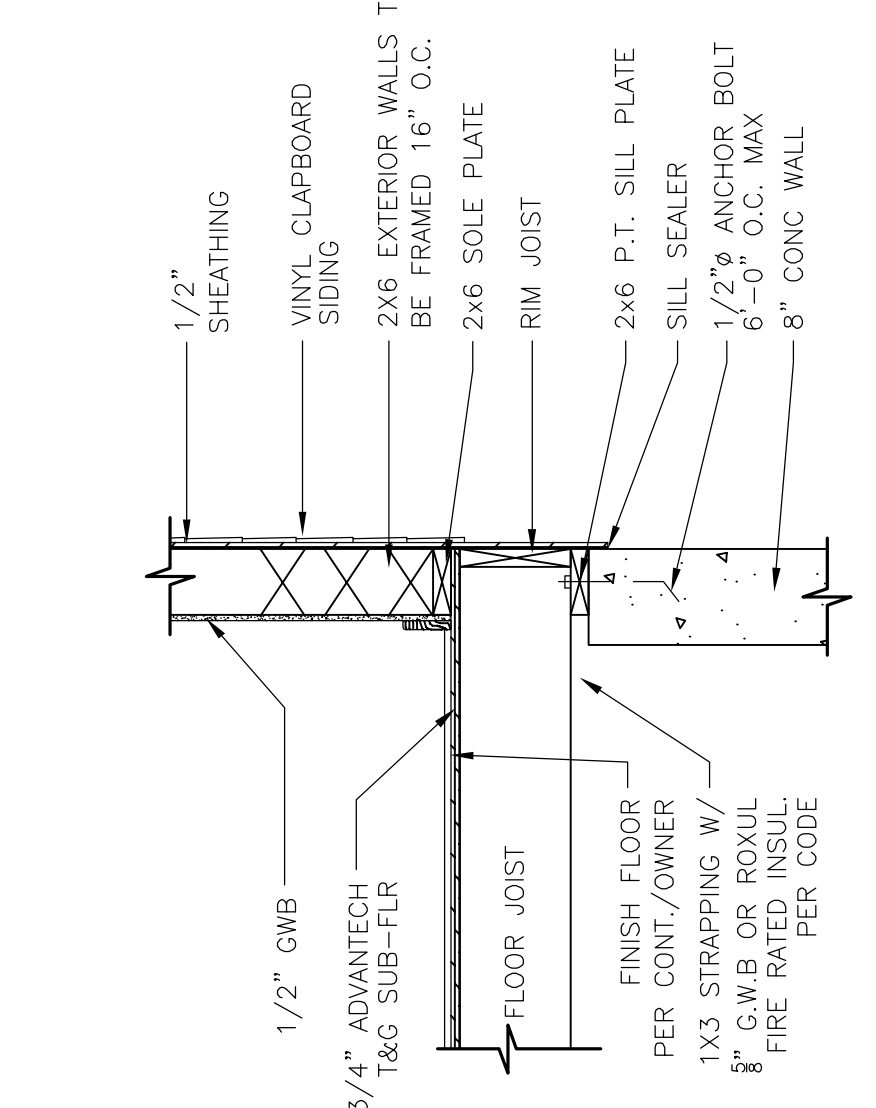
3 DECK CROSS SECTION
3/8" = 1'-0"



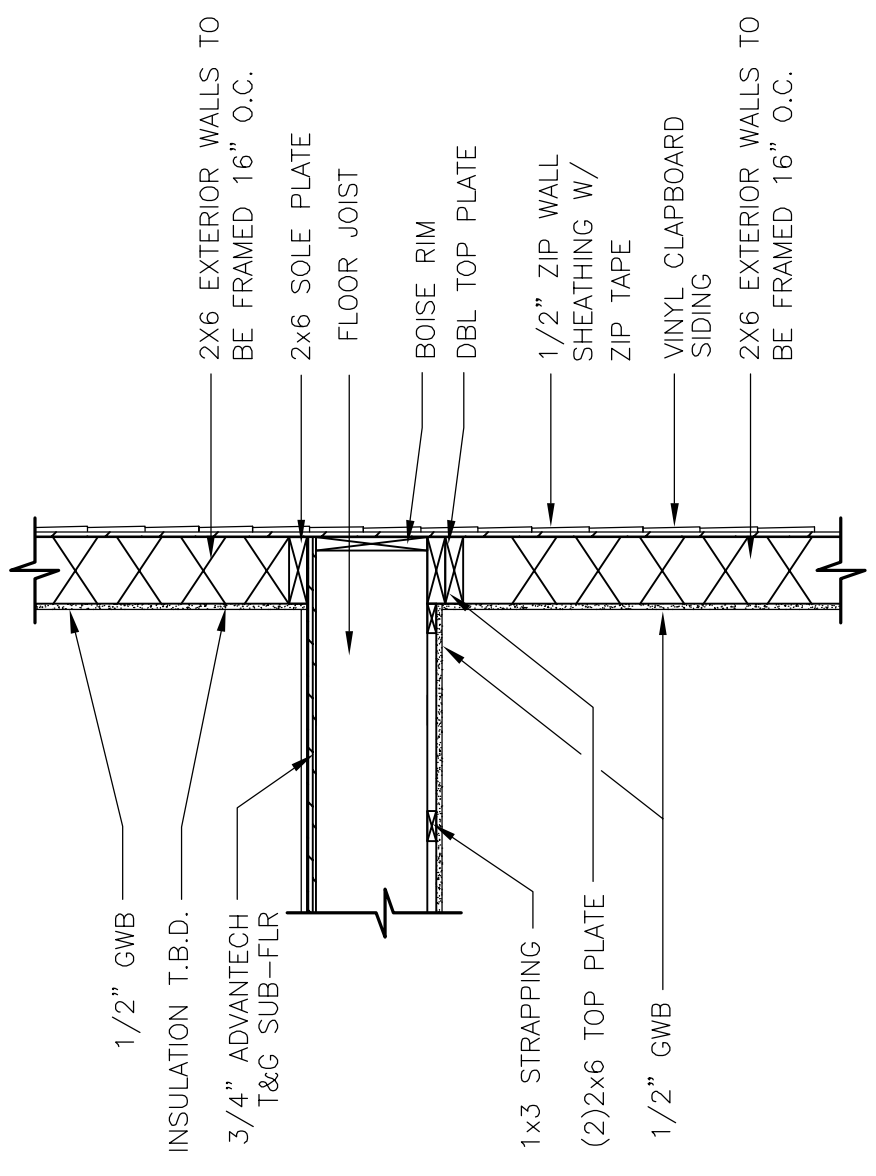
4 SOFFIT DETAIL
3/4" = 1'-0"



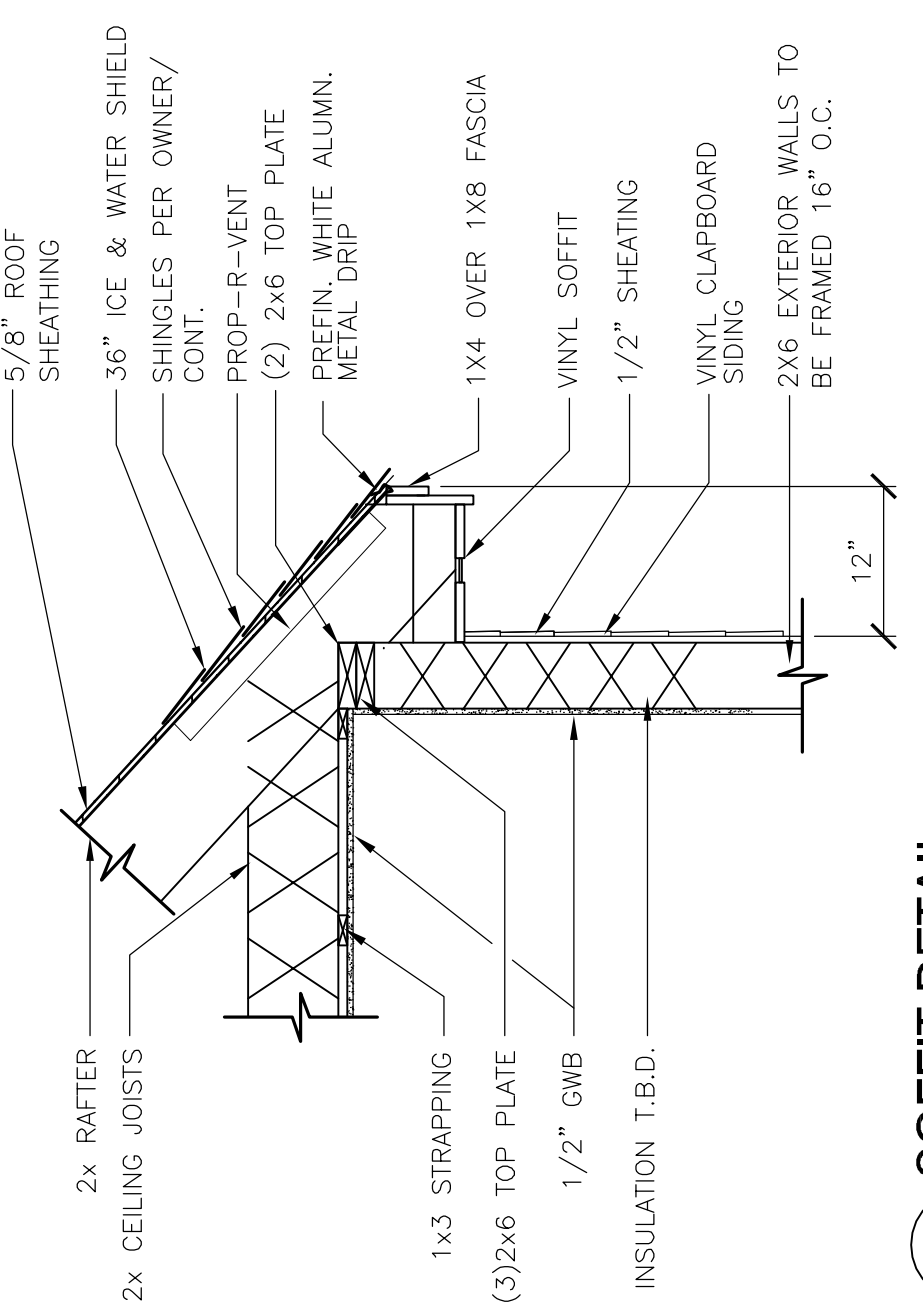
5 STAIR ATTACHMENT DETAIL
3/4" = 1'-0"



6 WALL BASE DETAIL
3/4" = 1'-0"



7 EXTERIOR WALL DETAIL
3/4" = 1'-0"



8 WALL, ROOF & SOFFIT DETAIL
3/4" = 1'-0"

(3) 2X12 W/ PLY HEADERS, TYPICAL FOR ALL 2ND FLR.
2X6X92" STUDS FRAMED @ 16" O.C.
FLASH AS REQUIRED
2X8 RAFTERS FRAMED @ 16" O.C. W/ 5/8" ROOF SHEATHING W/ BITUTHENE W/ ARCH SHINGLES
2X6 CEILING JOIST FRAMED @ 16" O.C. W/ FINISH CLNG. TRIM T.B.D.
(3) 1 1/2" X 11 1/8" LVL GIRDER BEAM
1X4 OVER 1X8 FASCIA BRD.
8X10' STRUCTURAL ROUND COLUMNS
2X6X92" STUDS FRAMED @ 16" O.C.
PT 2X6 LEDGER BOARD W/ FLASHING, W/ LAG BOLTS & SIMPSON DITIZZ DECK TIES 2 PER CODE
FINISH DECKING T.B.D.
2X6 PT JOIST FRAMED @ 16" O.C.
(3) 2X10 PT GIRDER BEAM WRAPPED IN 1X10 TRIM 3 SIDES
6X6 PT POST LAGED TO GIRDER W/ 6X6 GALVIN POST CONECT TO PRECAST CONC. PILLAR W/ BIG FOOT

2X8 RIDGE BEAM
2X8 RAFTERS @ 16" O.C. W/ 5/8" ROOF SHEATHING W/ BITUTHENE W/ ARCH SHINGLES.
1X4 OVER 1X8 FASCIA BOARDS & 12" OVERHANGS
2X6X92" STUDS FRAMED @ 16" O.C.
2X6 CLNG JOIST FRAMED @ 16" O.C. W/ 1X3 STRAPPING @ 16" O.C. W/ 3/4" C.W.B. ON WALLS AND CLINGS.
8" X 7"-10" CONC. WALL W/ 16" X 8" CONC. FOOTING

HAND RAIL & BALUSTER MATERIAL T.B.D.
4X4 PT POST
DECKING T.B.D.
DECK TENSIONERS 2 PER CODE
2X10X12' PT JOIST @ 16" O.C.
(3) 2X10 PT GIRDER BEAM.
6X6 PT POST TO 6X6 GALVIN POST ANCHORS TO PRE-CAST PIER W/ BIG FOOT FOOTING 48" B.G. MIN

5/8" EXTERIOR ROOF SHEATHING
PROP-R-VENT
15 LB. FELT PAPER
36" ICE & WATER SHIELD SHINGLES PER OWNER/CONT
ENERGY HEEL
PREFIN. WHITE ALUMN. METAL DRIP
1X8 FASCIA
LAP SOFFIT 1/2" WHITE ALUM.
2" SOFFIT VENT PREFIN.
DBL 2X6 TOP PLATE
1/2" EXTERIOR SHEATHING PER CONT./OWNER
2X6 STUDS
BUILDING WRAP (TYPAR)

1/2" GWB
INSULATION T.B.D.
1X3 STRAPPING
1/2" ZIP WALL SHEATHING W/ ZIP TAPE
VINYL CLAPBOARD SIDING
2X6 EXTERIOR WALLS TO BE FRAMED 16" O.C.

2X8 RAFTER
5/8" ROOF SHEATHING
36" ICE & WATER SHIELD SHINGLES PER OWNER/CONT
PROP-R-VENT
(2) 2X6 TOP PLATE
PREFIN. WHITE ALUMN. METAL DRIP
1X4 OVER 1X8 FASCIA
VINYL SOFFIT
(2)2X6 TOP PLATE
1/2" SHEATING
INSULATION T.B.D.
VINYL CLAPBOARD SIDING
2X6 EXTERIOR WALLS TO BE FRAMED 16" O.C.

2X RAFTER
5/8" ROOF SHEATHING
36" ICE & WATER SHIELD ARCHITECTURAL SHINGLES
2X6 SHOE
PROP-R-VENT METAL DRIP
1X4 OVER 1X8 FASCIA
VINYL SOFFIT
(2)2X6 TOP PLATE
1/2" SHEATING
INSULATION T.B.D.
VINYL CLAPBOARD SIDING
2X6 EXTERIOR WALLS TO BE FRAMED 16" O.C.

3/4" ADVANTECH T&G FLR.
FLOOR JOISTS
1X3 STRAPPING @ 16" O.C. W/ 3/4" C.W.B. ON WALL & CLNG S.
INSULATION T.B.D.
VINYL CLAPBOARD SIDING
2X6 EXTERIOR WALLS TO BE FRAMED 16" O.C.

1/2" GWB
INSULATION T.B.D.
1X3 STRAPPING
1/2" ZIP WALL SHEATHING W/ ZIP TAPE
VINYL CLAPBOARD SIDING
2X6 EXTERIOR WALLS TO BE FRAMED 16" O.C.

1/2" EXTERIOR SHEATHING PER CONT./OWNER
2X6 STUDS
BUILDING WRAP (TYPAR)

1/2" GWB
INSULATION T.B.D.
1X3 STRAPPING
1/2" ZIP WALL SHEATHING W/ ZIP TAPE
VINYL CLAPBOARD SIDING
2X6 EXTERIOR WALLS TO BE FRAMED 16" O.C.

1/2" GWB
INSULATION T.B.D.
1X3 STRAPPING
1/2" ZIP WALL SHEATHING W/ ZIP TAPE
VINYL CLAPBOARD SIDING
2X6 EXTERIOR WALLS TO BE FRAMED 16" O.C.

NOTE: DRAWINGS ARE PROVIDED FOR INFORMATIONAL PURPOSES ONLY. E-USED FOR CONSTRUCTION. THE CONTRACTOR SHALL ASSUME ALL RESPONSIBILITY FOR LOCAL CODE COMPLIANCE AND ALL DRAWINGS SHALL BE FOR INFORMATIONAL PURPOSES AND NOT FOR CONSTRUCTION. THE CONTRACTOR SHALL BE RESPONSIBLE FOR VERIFYING ALL DIMENSIONS AND SPECIFICATIONS TO BE SHOWN BY CONTRACTOR BEFORE THE START OF CONSTRUCTION. CURRAN DRAFTING AND DESIGN, IS NOT RESPONSIBLE FOR FIELD LABELS, PERMANENT CHANGES TO THE DRAWINGS MADE BY THE CLIENT AND/OR CONTRACTOR.

CLIENT _____
CLIENT _____