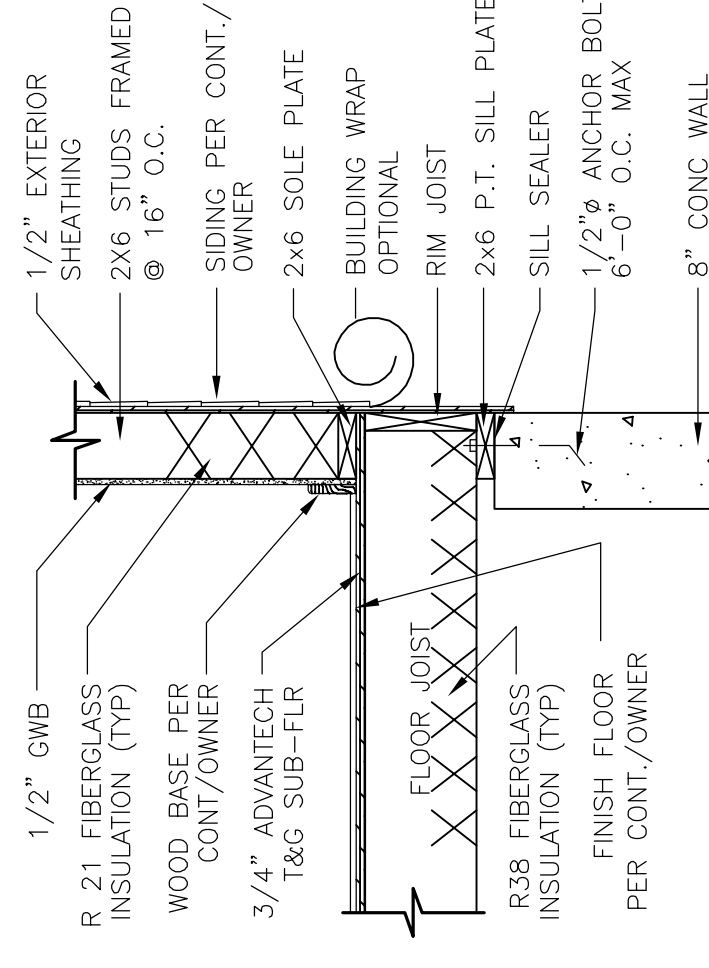
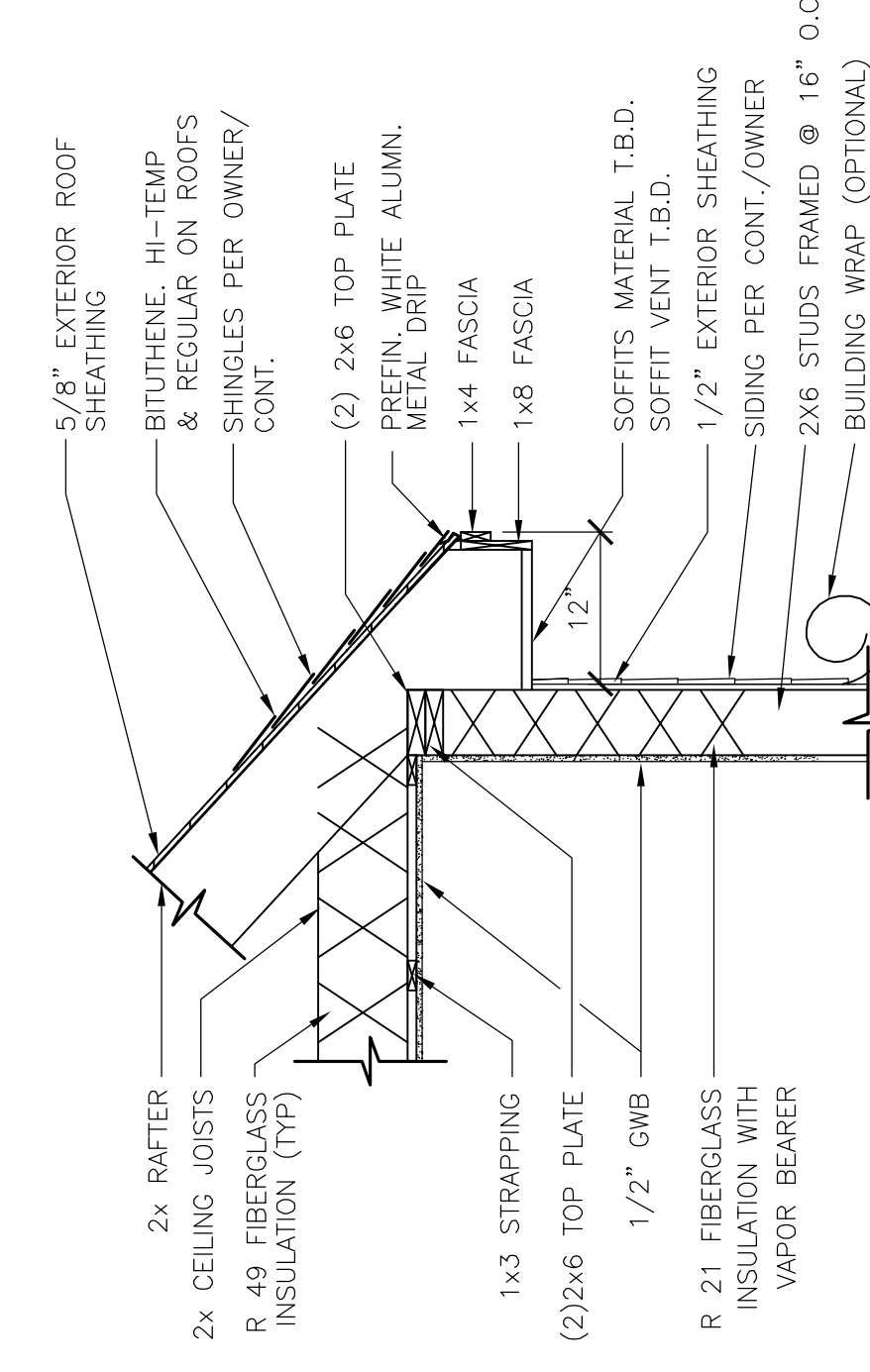


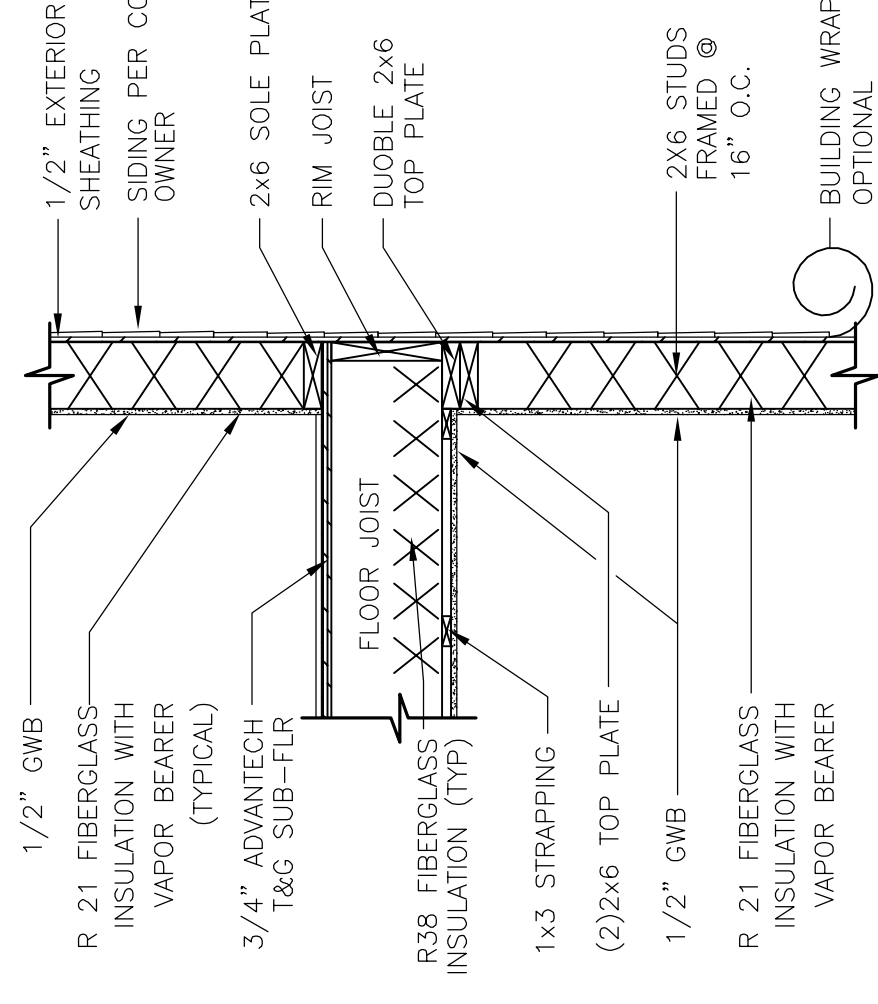
5 WALL, ROOF & SOFFIT DETAIL
A4 3/4" = 1'-0"



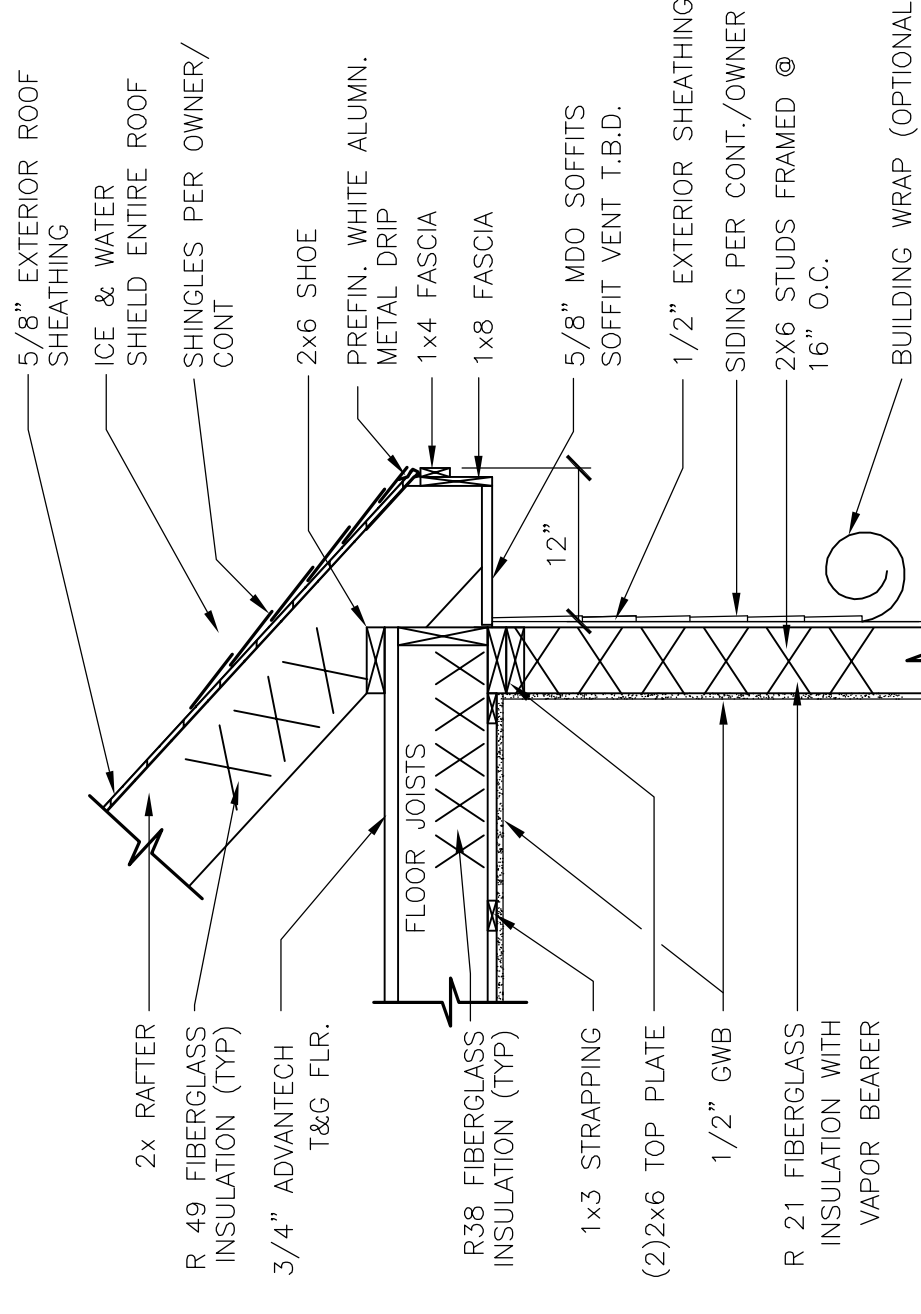
2 WALL BASE DETAIL
A4 3/4" = 1'-0"



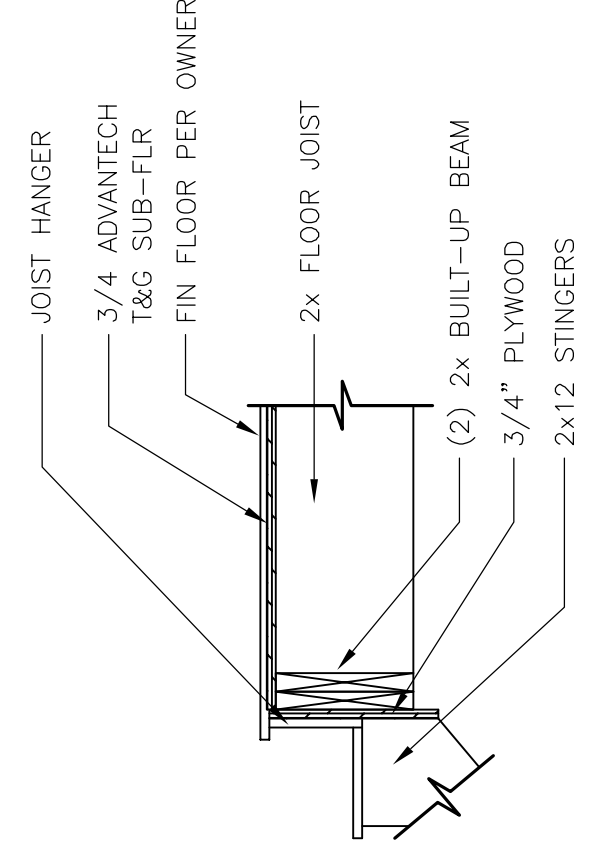
6 SOFFIT DETAIL @ DOMER
A4 3/4" = 1'-0"



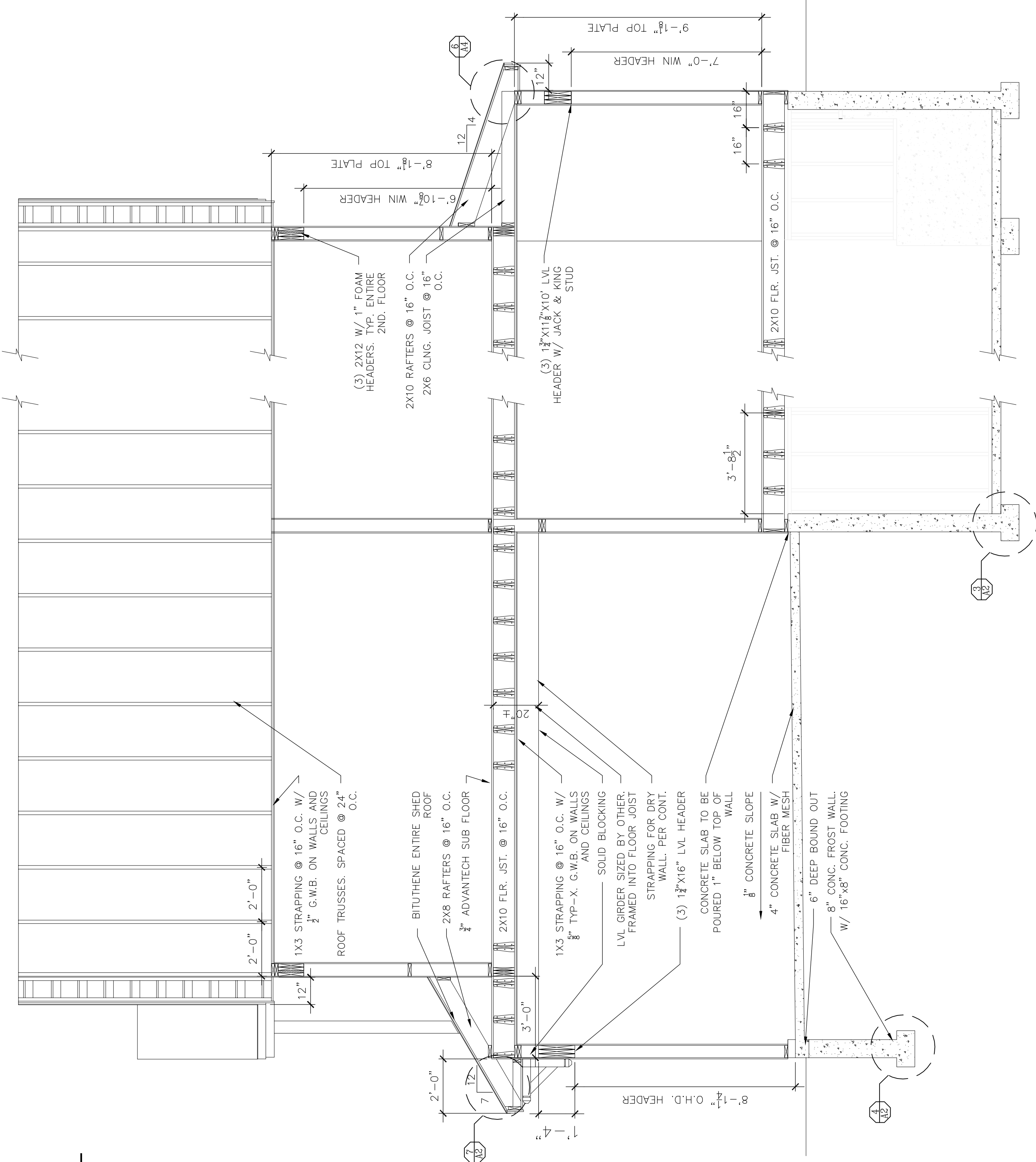
3 EXTERIOR WALL DETAIL
A4 3/4" = 1'-0"



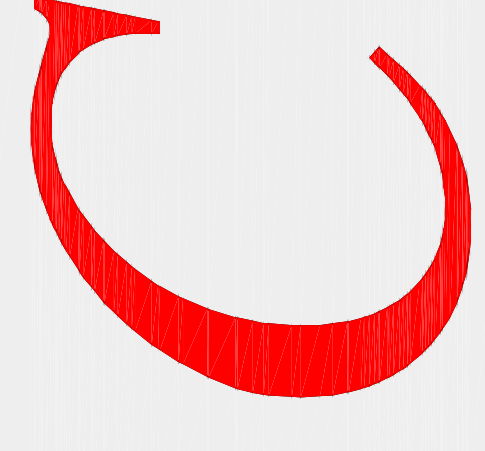
7 SOFFIT DETAIL
A4 3/4" = 1'-0"



4 STAIR ATTACHMENT DETAIL
A4 3/4" = 1'-0"



1 HOUSE & GARAGE SECTION
3/8" = 1'-0"



CURRAN
DRAFTING & DESIGN

12 WHITE PINE WAY
FALMOUTH, MAINE 04105
CEL. (207) 632-5320
MIKE@CDDHOME.COM

PROJECT NAME
REQUIA
SPEC #4

PROJECT LOCATION
PORTLAND, MAINE

BUILT BY

SHEET NAME
CROSS
SECTION &
DETAILS

© ALL RIGHTS RESERVED
ALL IDEAS, DESIGNS AND PLANS INDICATED OR REPRESENTED BY THESE DRAWINGS ARE THE PROPERTY OF CURRAN DRAFTING & DESIGN AND WERE CREATED AND DEVELOPED FOR USE ON OR IN CONNECTION WITH THE SPECIFIED PROJECT NAME & SHALL BE REPRODUCED OR COPIED BY ANYONE FOR ANY PURPOSE WITHOUT THE WRITTEN PERMISSION OF CURRAN DRAFTING & DESIGN. THESE PLANS ARE INTENDED FOR A ONE-TIME USE ONLY. ANY REUSE OF THESE PLANS IS NOT PERMITTED. IF THE TITLE BLOCK IS NOT "RED" IN COLOR.

DRAWN BY: M.P.C.
CHECKED BY: M.P.C.

SCALE: AS-NOTED
DATE: 04/01/2017
FILE NUMBER 17-0017
REVISIONS:
16/08/17

A-4

CLIENT

NOTE:
DRAWINGS PROVIDED FOR INFORMATIONAL PURPOSES ONLY. USER ASSUMES ALL RESPONSIBILITY FOR LOCAL CODE COMPLIANCE AND ALL NECESSARY PERMITS. CURRAN DRAFTING & DESIGN, INC. DOES NOT ASSUME EMPLOYEES OF CURRAN DRAFTING AND DESIGN ARE NOT REGISTERED ARCHITECTS OR ENGINEERS AND SEPARATIONS TO BE DERIVED BY CONTRACTOR BEFORE THE START OF CONSTRUCTION. CURRAN DRAFTING AND DESIGN, INC. IS NOT RESPONSIBLE FOR ANY CHANGES TO THE DRAWINGS MADE BY THE CLIENT AND/OR CONTRACTOR.