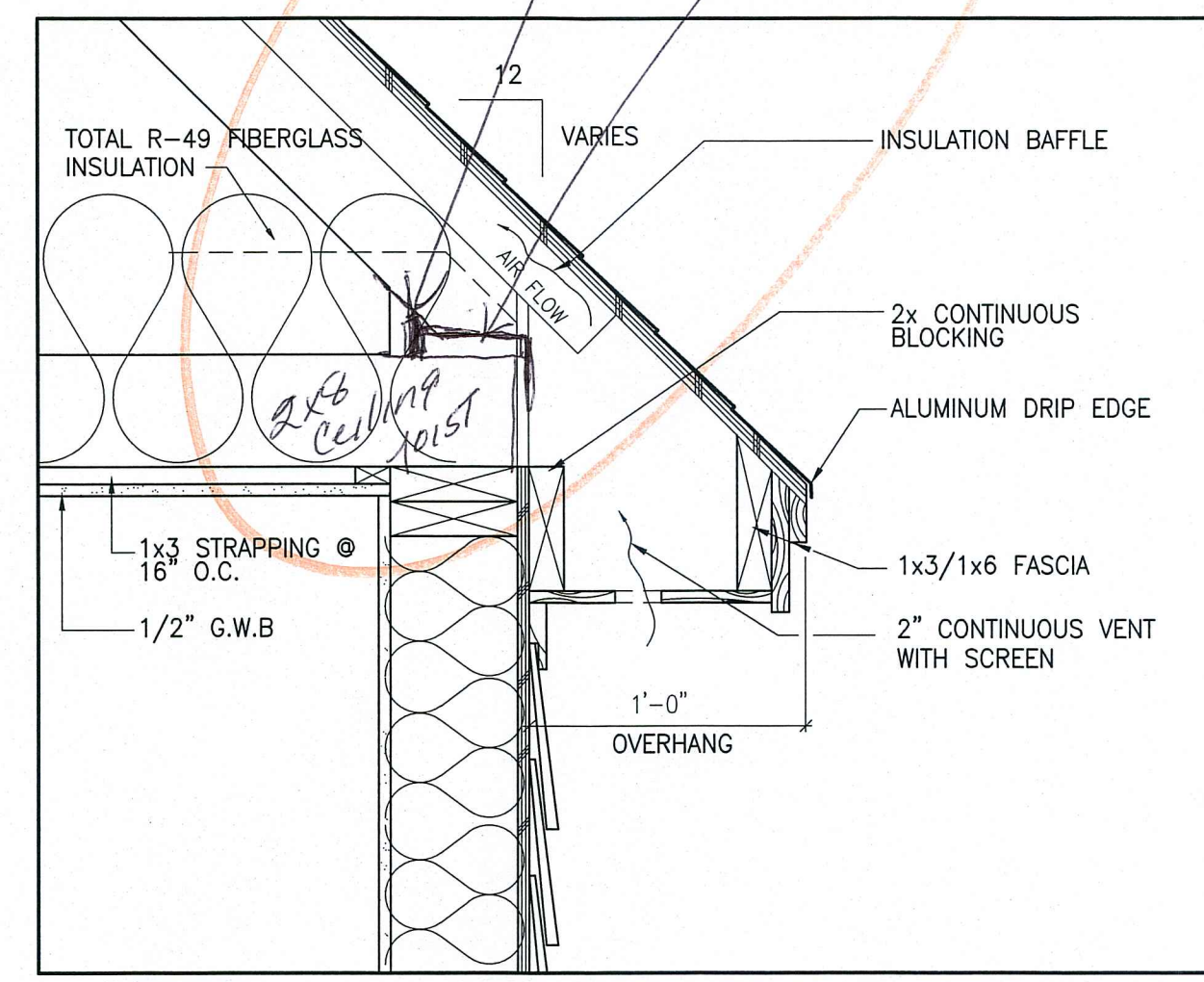
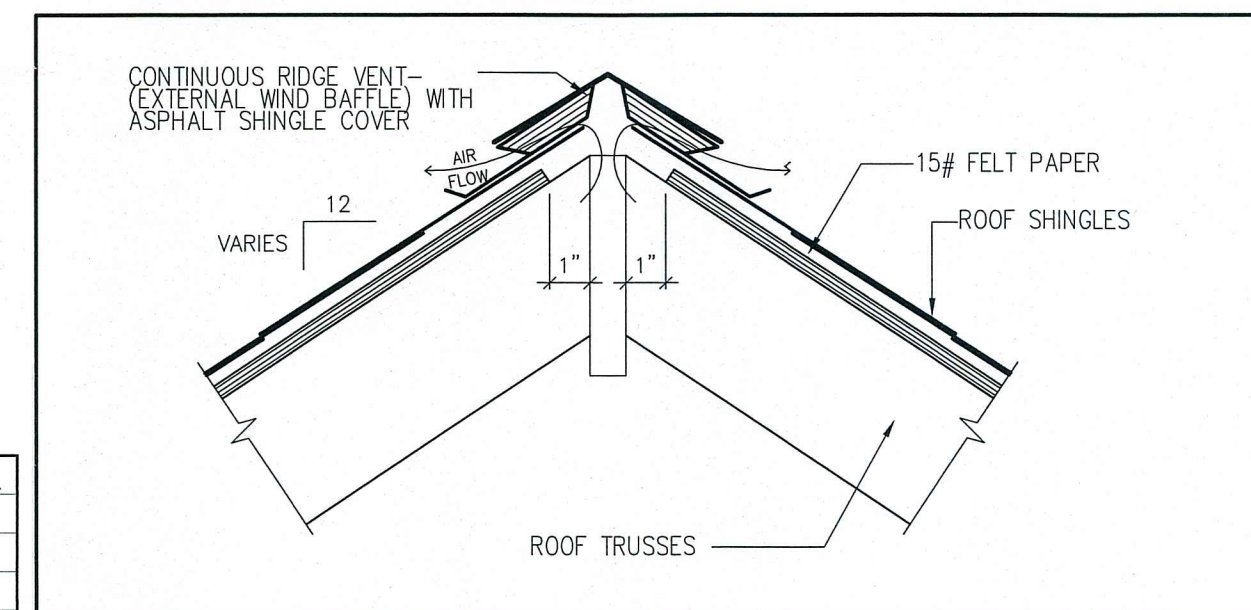


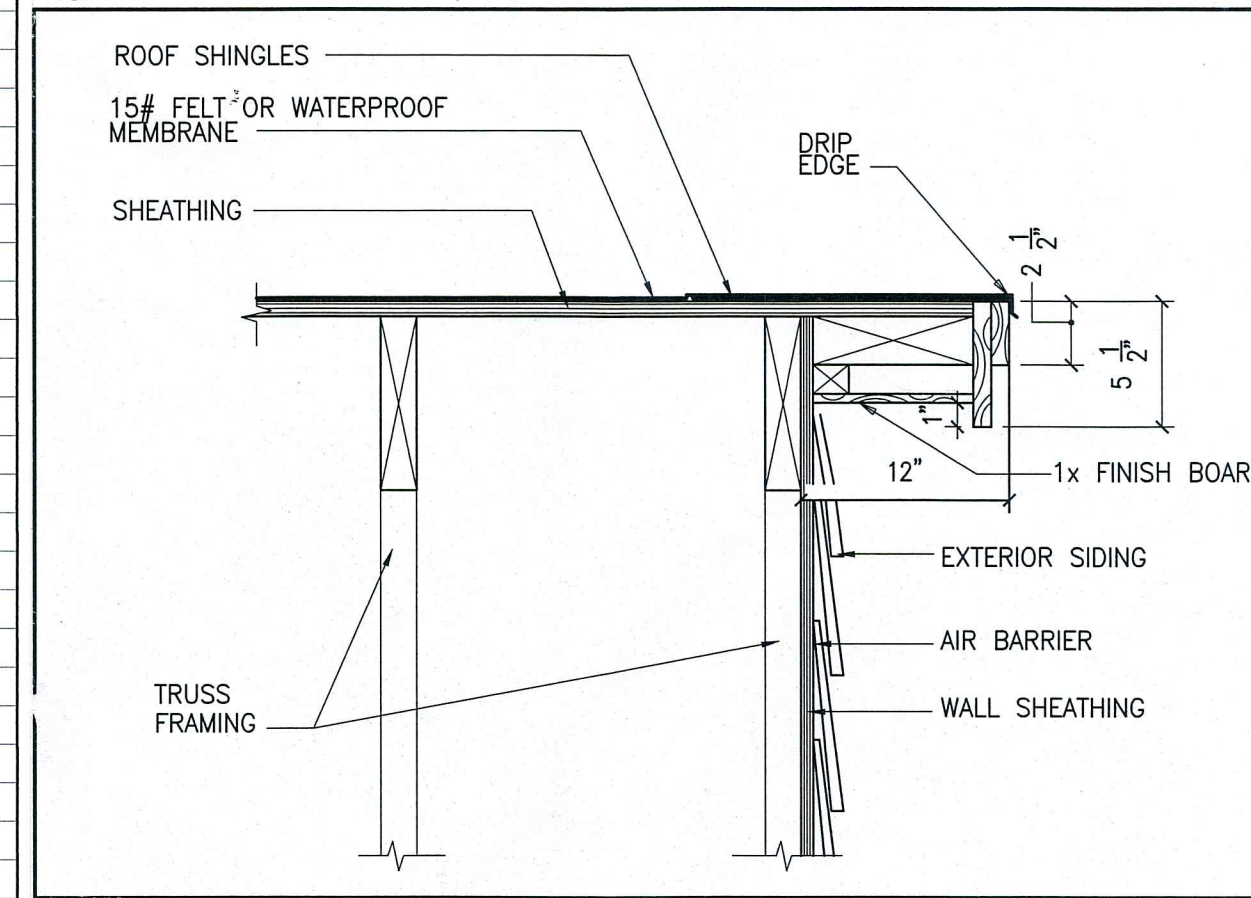
SECOND FLOOR PLAN
SECOND FLOOR: 1,038 S.F.



1 EAVE DETAIL SCALE: 1 1/2"=1'-0"



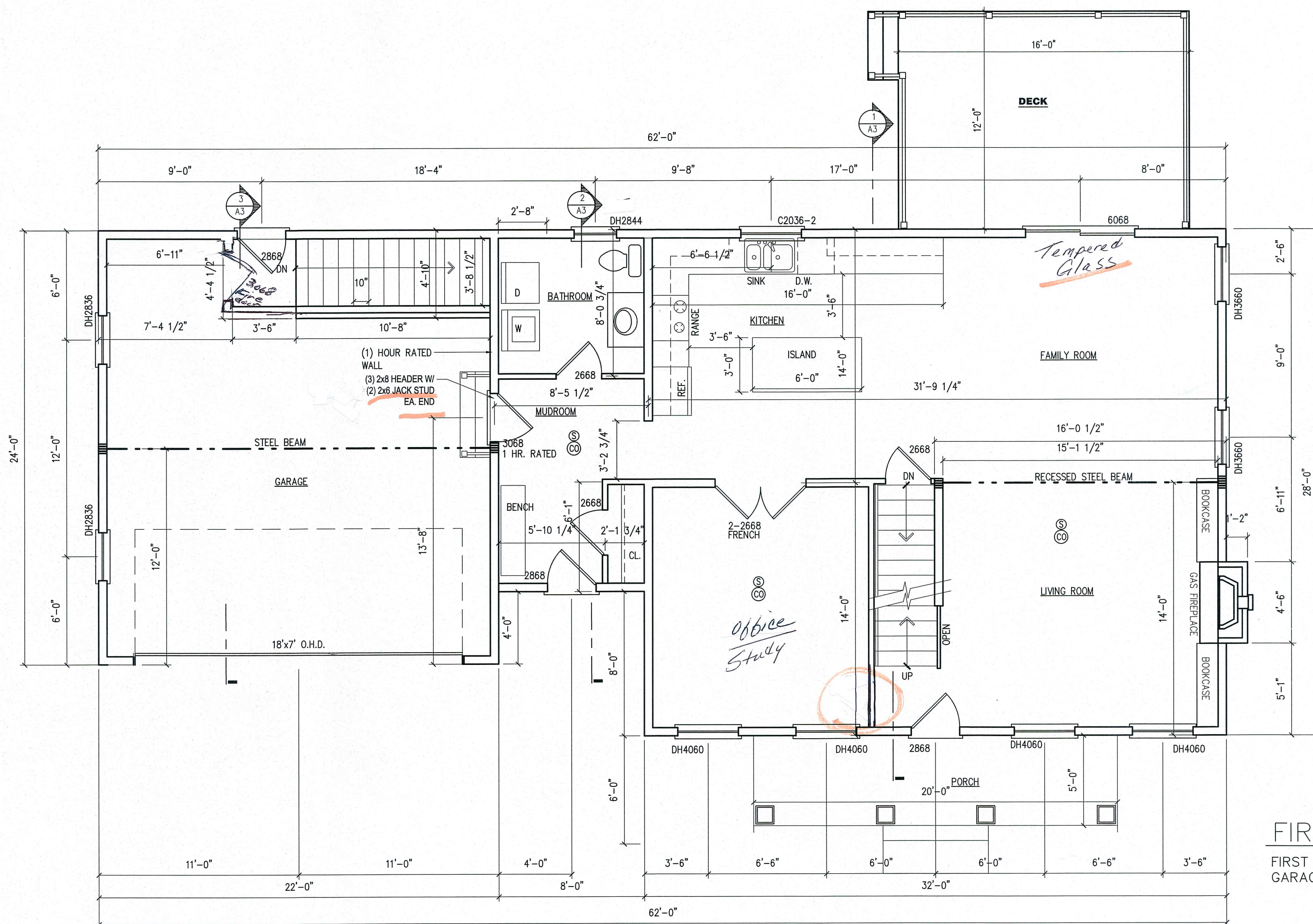
2 RIDGE VENT DETAIL SCALE: 1 1/2"=1'-0"



3 RAKE DETAIL SCALE: 1 1/2"=1'-0"

WINDOW DOOR SCHEDULE

WINDOW LOCATION	TYPE/SIZE	EGRESS	TEMPERED FIREDOOR
PARADIGM 8300 Series			
First Floor:			
(2) Office/Study	DH4060	no	N
(2) Living Room front	DH4060	no	N
(2) Rear Living Room	DH3660	no	N
(1) Kitchen	C2036-2	no	N
(1) half bath	DH2844	no	N
(2) garage	DH2836	no	N
Second Floor:			
(2) Master Bedroom	DH4060	YES	N
(1) Master closet	DH4060	no	Y
(2) Bedroom 2	DH4060	YES	N
(2) Bedroom 3	DH4060	YES	N
(1) Master Bath	DH2844	no	Y
(1) Guest Bath	DH2844	no	Y
Exterior Doors			
Thermatru Smooth Star	2868	y	no
Fiberglass: mudroom			
Thermatru Smooth Star	2868	y	no
Fiberglass: Front LR entry			
Paradigm slider	6068	y	YES
Thermatru fire door:	3068	y	YES
Garage to Mudroom			
Thermatru fire door:	3068	y	YES
Garage to basement			
Thermatru Smooth Star	2686	y	no
FG: Garage to outside			



FIRST FLOOR PLAN
FIRST FLOOR: 1,065 S.F.
GARAGE: 576 S.F.

MINTE
PORTLAND, MAINE

DRAWINGS THIS SHEET
FLOOR PLANS
DETAILS