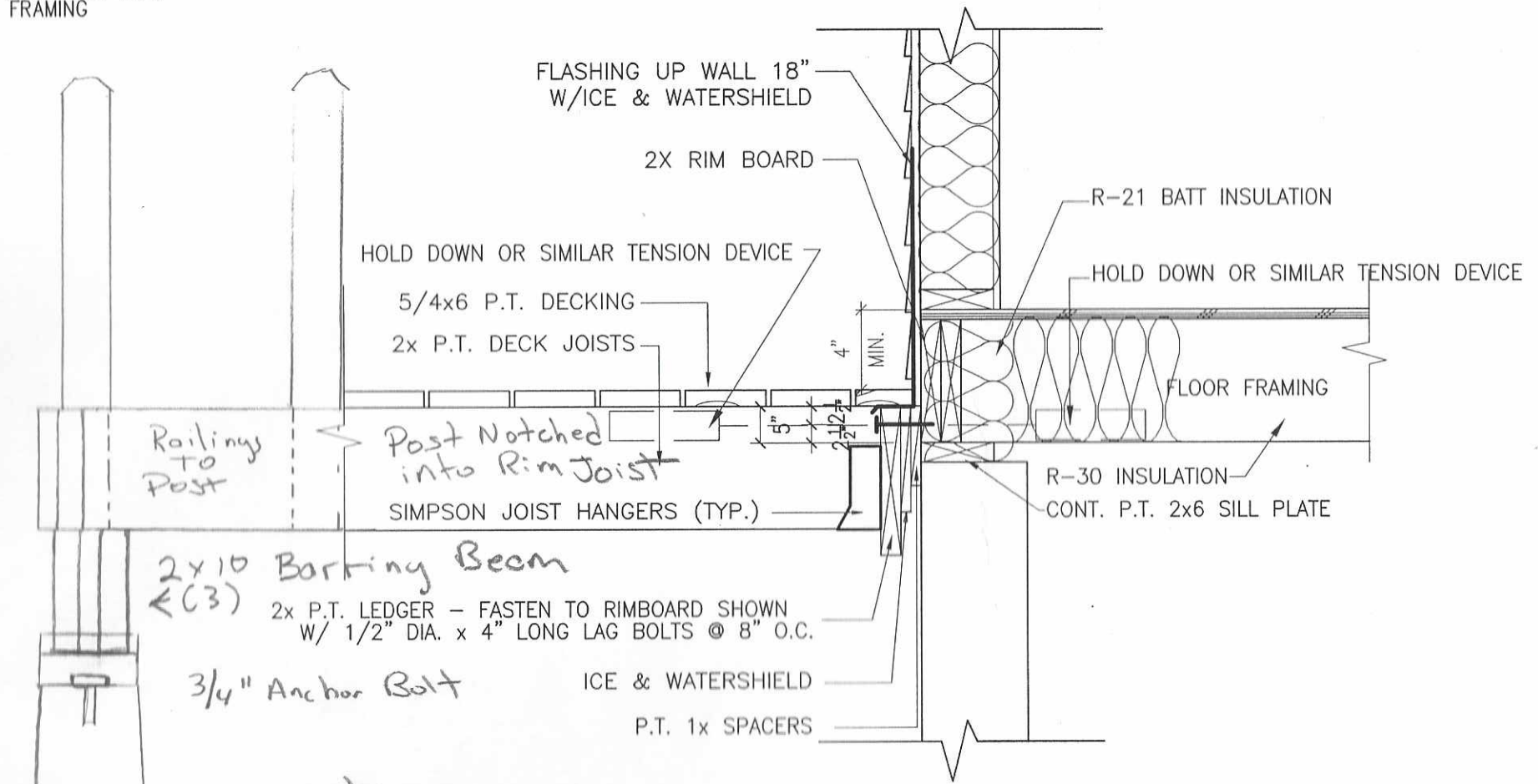


CREATE BEAM POCKET
IN FOUNDATION WALL
FOR FRAMING



Railings
to
Post

Post Notched
into Rim Joist

2x10 Barring Beam
←(3)

2x P.T. LEDGER - FASTEN TO RIMBOARD SHOWN
W/ 1/2" DIA. x 4" LONG LAG BOLTS @ 8" O.C.

3/4" Anchor Bolt

Tapered
Concrete
Piers-typ

6" High
8" Top
20" Bottom

1

DECK /JOIST CONNECTION DETAIL

SCALE: 1"=1'-0

REVISIONS

DRAWN BY:	DLP
CHECKED BY:	DLP
DATE:	01-05-17
ISSUED:	

FOUNDATION/FRAMING PLAN
DETAILS

A0