

EROSION CONTROL MIX BERMS

EROSION CONTROL MIX CAN BE MANUFACTURED ON OR OFF THE PROJECT SITE. IT MUST CONSIST PRIMARILY OF ORGANIC MATERIAL, SEPARATED AT THE POINT OF GENERATION, AND MAY INCLUDE: SHREDDED BARK, STUMP GRINDINGS, COMPOSTED BARK, OR ACCEPTABLE MANUFACTURED PRODUCTS. WOOD AND BARK CHIPS, GROUND CONSTRUCTION DEBRIS OR REPROCESSED WOOD PRODUCTS WILL NOT BE ACCEPTABLE AS THE ORGANIC COMPONENT OF THE MIX.

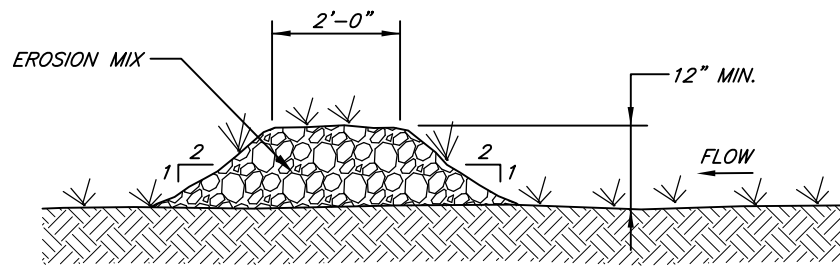
COMPOSITION

EROSION CONTROL MIX SHALL CONTAIN A WELL-GRADED MIXTURE OF PARTICLE SIZES AND MAY CONTAIN ROCKS LESS THAN 4" IN DIAMETER. EROSION CONTROL MIX MUST BE FREE OF REFUSE, PHYSICAL CONTAMINANTS, AND MATERIAL TOXIC TO PLANT GROWTH. THE MIX COMPOSITION SHALL MEET THE FOLLOWING STANDARDS:

- THE ORGANIC MATTER CONTENT SHALL BE BETWEEN 80 AND 100%, DRY WEIGHT BASIS.
- PARTICLE SIZE BY WEIGHT SHALL BE 100% PASSING A 6" SCREEN AND A MINIMUM OF 70%, MAXIMUM OF 85%, PASSING A 0.75" SCREEN.
- THE ORGANIC PORTION NEEDS TO BE FIBROUS AND ELONGATED.
- LARGE PORTIONS OF SILTS, CLAYS OR FINE SANDS ARE NOT ACCEPTABLE IN THE MIX.
- SOLUBLE SALTS CONTENT SHALL BE < 4.0 MMHOS/CM.
- THE PH SHOULD FALL BETWEEN 5.0 AND 8.0.

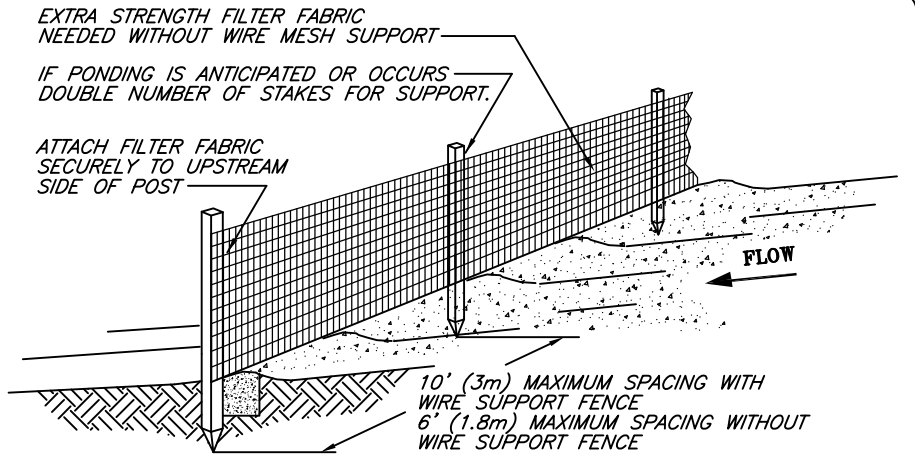
INSTALLATION

- THE BARRIER MUST BE PLACED ALONG A RELATIVELY LEVEL CONTOUR. IT MAY BE NECESSARY TO CUT TALL GRASSES OR WOODY VEGETATION TO AVOID CREATING VOIDS AND BRIDGES THAT WOULD ENABLE FINES TO WASH UNDER THE BARRIER THROUGH THE GRASS BLADES OR PLANT STEMS.
- ON SLOPES LESS THAN 5% OR AT THE BOTTOM OF STEEPER SLOPES (<2:1) UP TO 20 FEET LONG, THE BARRIER MUST BE A MINIMUM OF 12" HIGH, AS MEASURED ON THE UPHILL SIDE OF THE BARRIER, AND A MINIMUM OF TWO FEET WIDE. ON LONGER OR STEEPER SLOPES, THE BARRIER SHOULD BE WIDER TO ACCOMMODATE THE ADDITIONAL RUNOFF.
- FROZEN GROUND, OUTCROPS OF BEDROCK AND VERY ROOTED FORESTED AREAS ARE LOCATIONS WHERE BERMS OF EROSION CONTROL MIX ARE MOST PRACTICAL AND EFFECTIVE.
- OTHER BMPs SHOULD BE USED AT LOW POINTS OF CONCENTRATED RUNOFF, BELOW CULVERT OUTLET APRONS, AROUND CATCH BASINS AND CLOSED STORM SYSTEMS, AND AT THE BOTTOM OF STEEP PERIMETER SLOPES THAT ARE MORE THAN 50 FEET FROM TOP TO BOTTOM (I.E., A LARGE UP GRADIENT CONTRIBUTING WATERSHED).

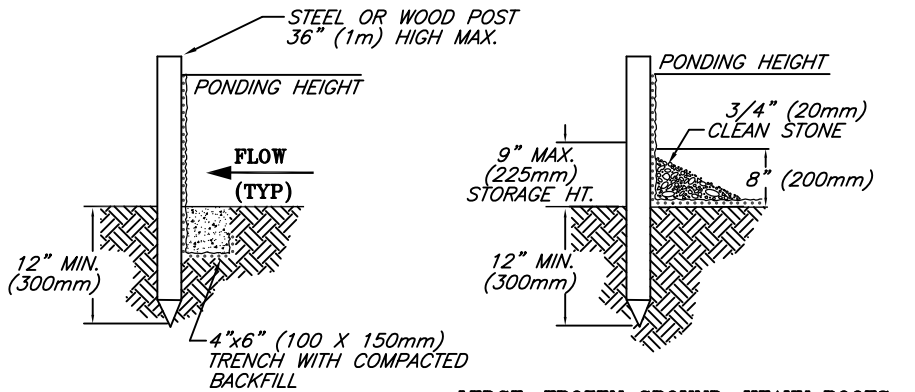


* FOR USE AS REINFORCED MULCH BERM 2 ROWS OF EROSION MIX MUST BE INSTALLED SUPPORTED BY A MINIMUM OF 1 ROW OF HAY BALES UPSTREAM.

MULCH BERM



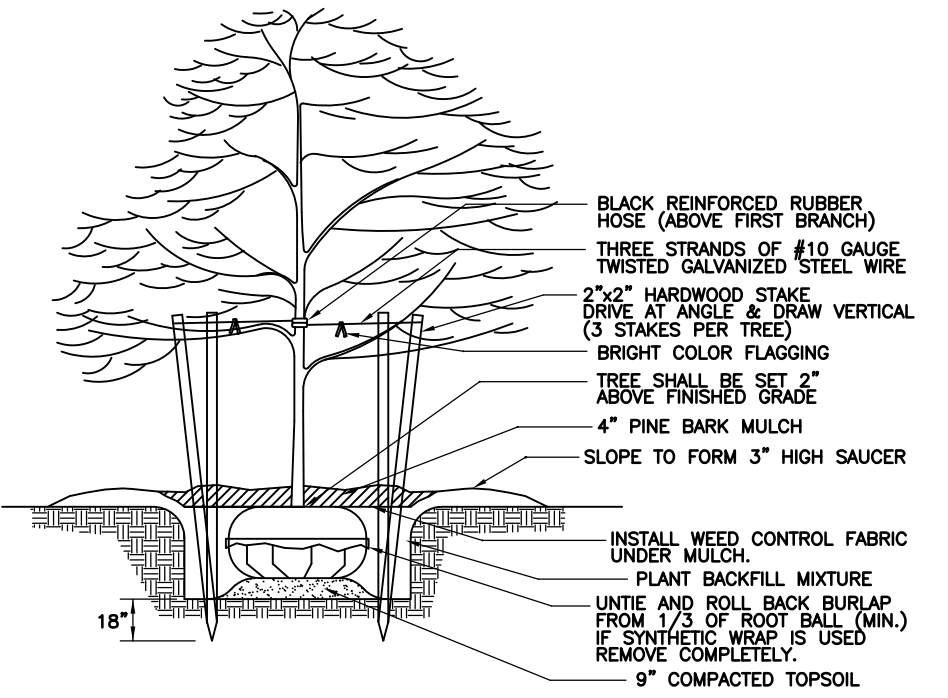
NOTE: PRE-FABRICATED SILT FENCE IS ACCEPTABLE IF INSTALLED PER MANUFACTURER.



TRENCH DETAIL **LEDGE, FROZEN GROUND, HEAVY ROOTS INSTALLATION WITHOUT TRENCHING**

- NOTES:
1. SILT FENCE SHALL BE PLACED ON SLOPE CONTOURS TO MAXIMIZE PONDING EFFICIENCY.
 2. INSPECT AND REPAIR FENCE AFTER EACH STORM EVENT AND REMOVE SEDIMENT WHEN NECESSARY. 9" (225mm) MAXIMUM RECOMMENDED STORAGE HEIGHT.
 3. REMOVED SEDIMENT SHALL BE DEPOSITED TO AN AREA THAT WILL NOT CONTRIBUTE SEDIMENT OFF-SITE AND CAN BE PERMANENTLY STABILIZED.
 4. DO NOT PLACE SILT FENCE IN STREAMS OR CONCENTRATED FLOW CONDITIONS.

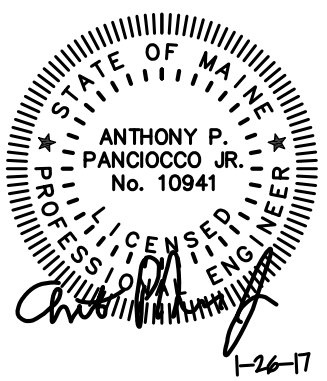
SILT FENCE



TYPICAL STREET TREE PLANTING
NOT TO SCALE

PLANTING SCHEDULE			
QUANTITY	BOTANICAL NAME	COMMON NAME	SIZE
2 *	ACER RUBRUM 'RED SUNSET'*	RED SUNSET MAPLE*	6'-7'

*THE SPECIES OF STREET TREES SHALL BE SELECTED FROM THE CITY OF PORTLAND RECOMMENDED STREET TREE LIST (2014). TREES SELECTED FOR PLANTING SHALL VARY, MORE THAN ONE SPECIES SHALL BE PLANTED ALONG PAMELA ROAD.



REVISIONS:	BY:	DATE:	CHANGES:
01	JBD	1/26/17	SUBMITTED FOR CITY REVIEW
Drawing Name:			
LOT #43 DIMILLO - SHEET 2 OF 2			
Project Name and Location:			
PAMELA ROAD EXTENSION PAMELA ROAD, PORTLAND, MAINE 04101			
DATE: JANUARY 26, 2017		SHEET: 2 OF 2	

SURVEYING ENGINEERING LAND PLANNING

Northeast Civil Solutions
INCORPORATED

381 PAYNE ROAD, SCARBOROUGH, MAINE 04074

tel 207.883.1000 fax 207.883.1001 e-mail info@northeastcivilsolutions.com
800.882.2227

1984 JOHN McCULLAH ME DEP 2003

E:\LAND PROJECT\33000\33229.03 TELOS - LOT GRADING\PLANSET\33229.03- OVERALL GRADING.DWG