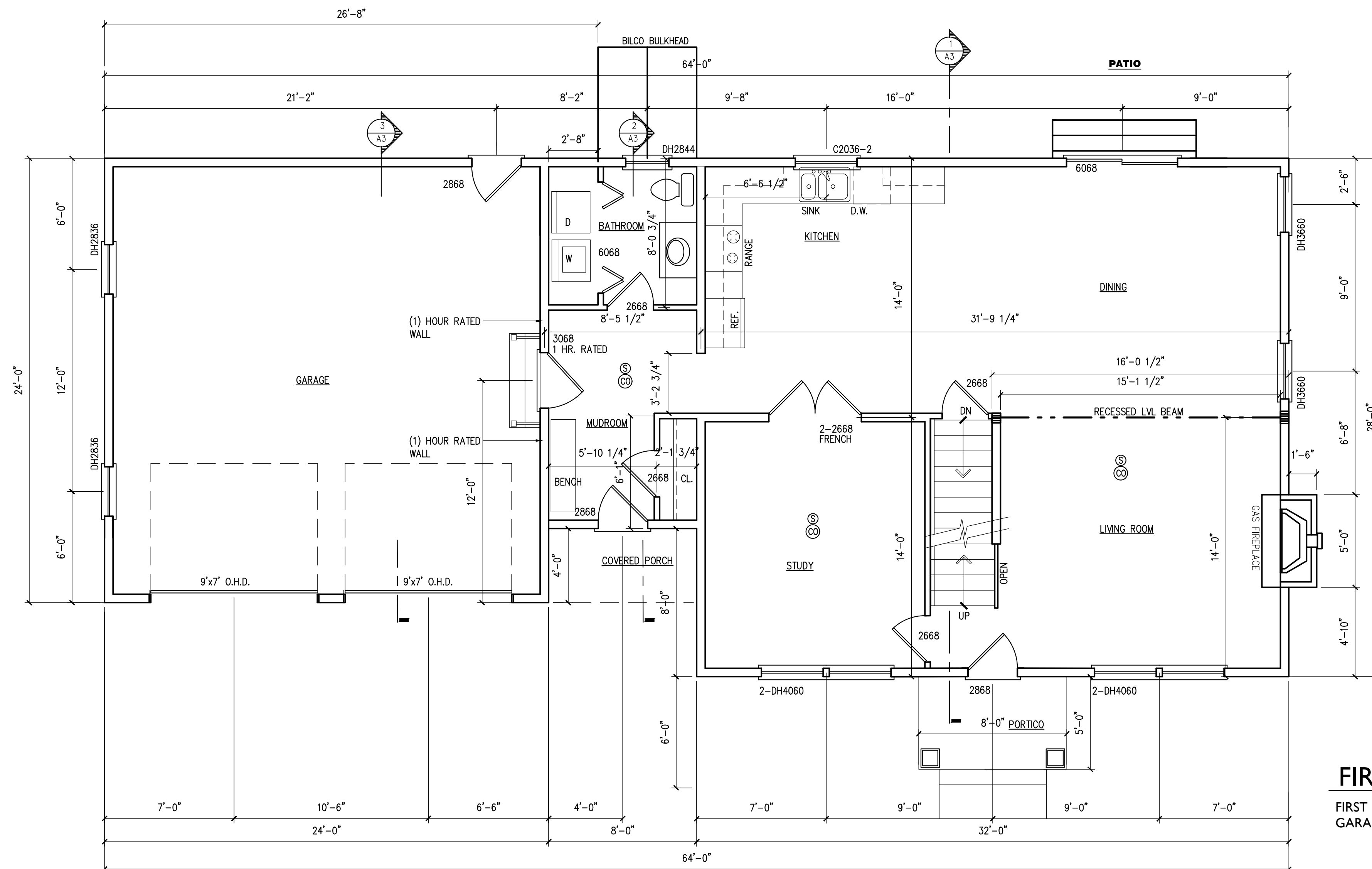
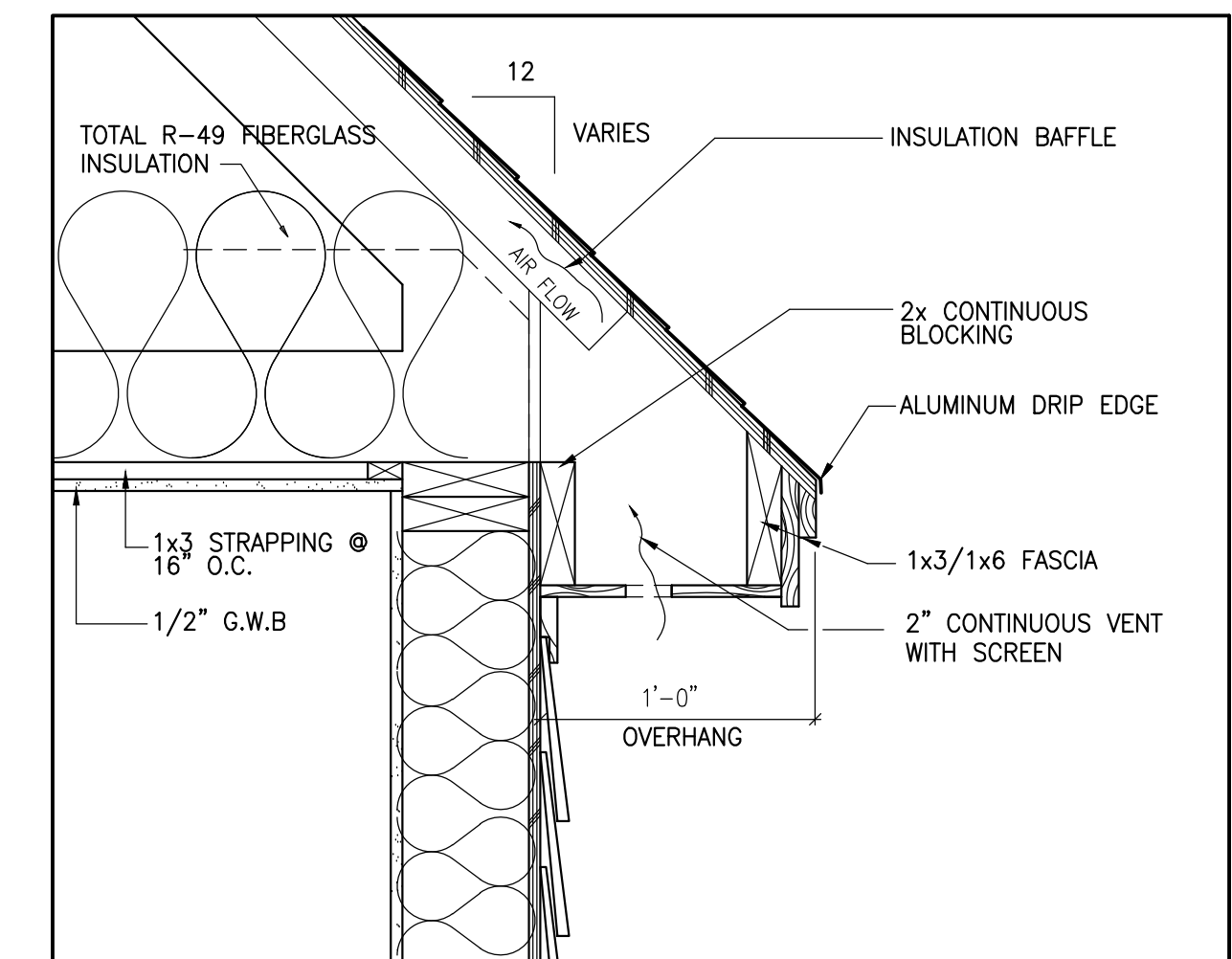


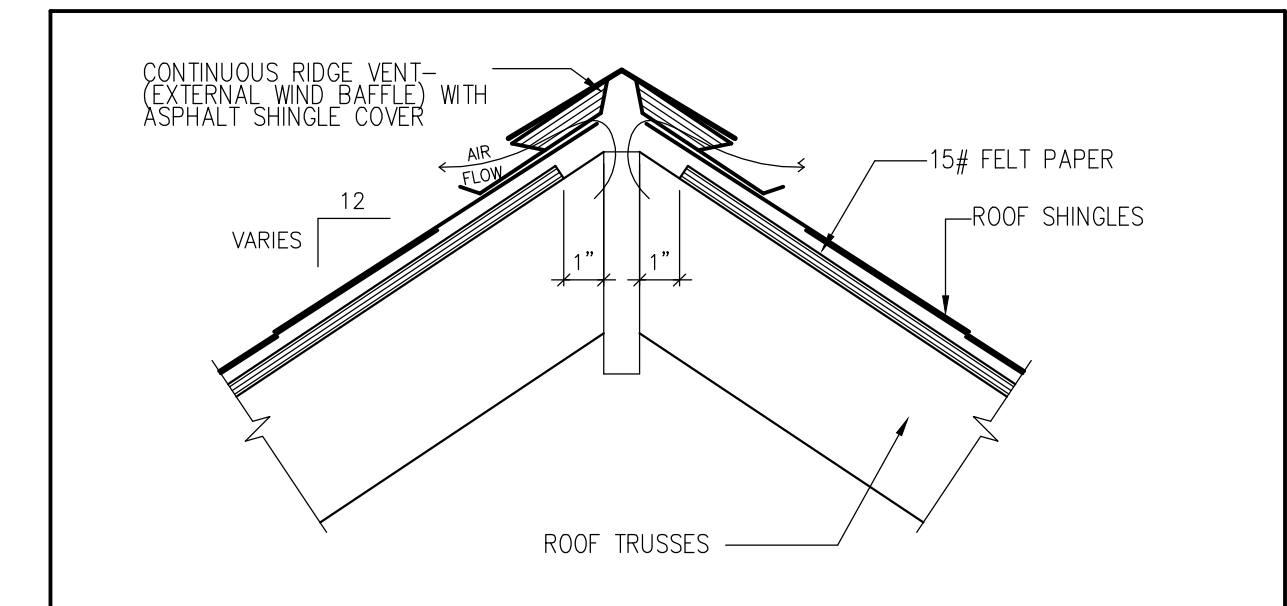
SECOND FLOOR PLAN
SECOND FLOOR: 983 S.F.



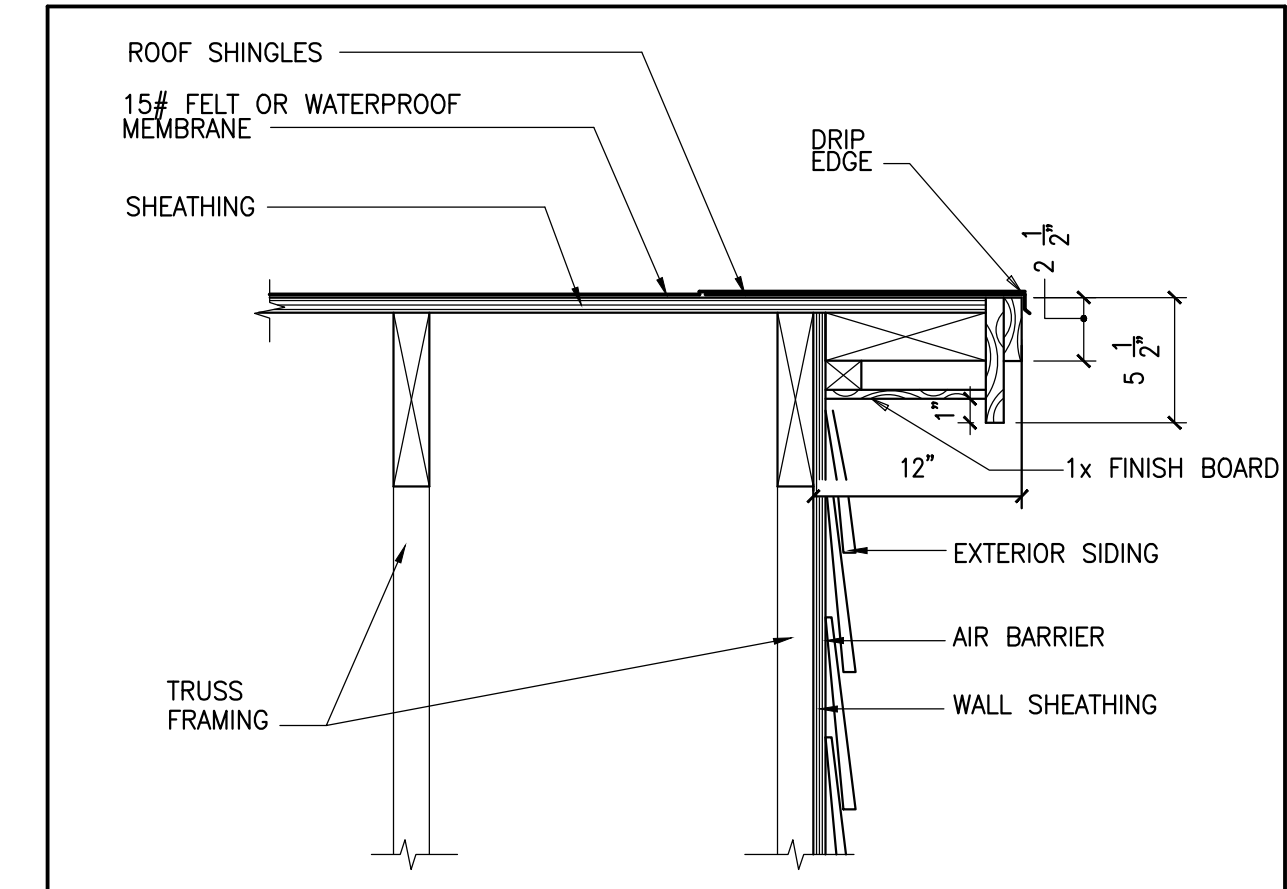
FIRST FLOOR PLAN
FIRST FLOOR: 1,065 S.F.
GARAGE: 576 S.F.



1 EAVE DETAIL SCALE: 1 1/2"=1'-0"



2 RIDGE VENT DETAIL SCALE: 1 1/2"=1'-0"



3 RAKE DETAIL SCALE: 1 1/2"=1'-0"

LEGRO

**48 PAMELA ROAD
PORTLAND, MAINE**

DRAWINGS THIS SHEET

FLOOR PLANS
DETAILS

07/09/17

A1