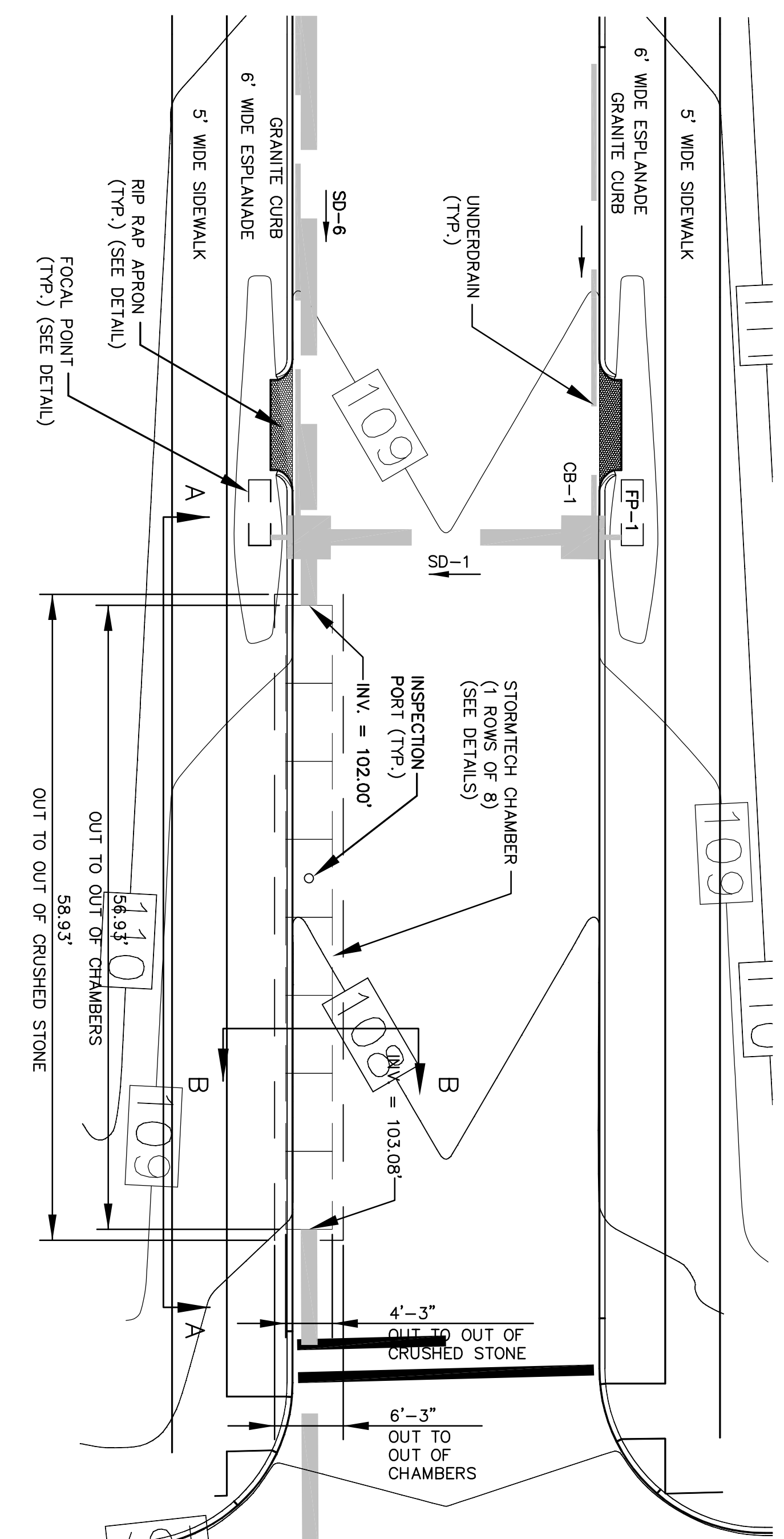


ACCEPTABLE FILL MATERIALS  
STORMTECH SC-740 CHAMBER SYSTEMS

MATERIAL LOCATION	DESCRIPTION	AASHTO M43 DESIGNATION	AASHTO M45 DESIGNATION	COMPACTION/DENSITY REQUIREMENT
FILL MATERIAL FROM 1'-6" TO GRADE ABOVE CHAMBERS	ANY SOIL/ROCK MATERIALS, NATIVE SOILS OR PER ENGINEER'S PLANS, (SEE TYPICAL STORMWATER TRENCH SECTION ON SHEET C-10)	N/A	N/A	PREPARE PER ENGINEER'S PLANS, PAVED INSTALLATIONS MAY HAVE STRINGENT AND PREPARATION REQUIREMENTS.
FILL MATERIAL FOR 6" TO 18" GRANULAR WELL-SORTED (2% FOR UNPAVED INSTALLATIONS)	WASHED ANGULAR STONE WITH THE MAJORITY OF PARTICLES BETWEEN 1/2" - 2 INCH	3.357, 4.487, 5.100, 6.748, 7.78, 8.89, 9.10	A-1, A-2, A-3	COMPACT IN 6" LIFTS TO A MINIMUM 95% VEHICLE WEIGHT TO EXCEED 12,000 LBS. DYNAMIC FORCE NOT TO EXCEED 20,000 LBS.
EMBEDMENT STONE SURROUNDING BELOW CHAMBERS	WASHED ANGULAR STONE WITH THE MAJORITY OF PARTICLES BETWEEN 1/2" - 2 INCH	3.357, 4.487, 5.100, 6.748, 7.78, 8.89, 9.10	N/A	NO COMPACTION REQUIRED
FOUNDATION BELOW CHAMBERS	SEE CROSS SECTION	3.357, 4.487, 5.100, 6.748, 7.78, 8.89, 9.10	N/A	PLATE COMPACT OR ROLL TO ACHIEVE A 95% STANDARD PROCTOR DENSITY
SUBSURFACE SOIL FILTER	SEE CROSS SECTION	N/A	N/A	

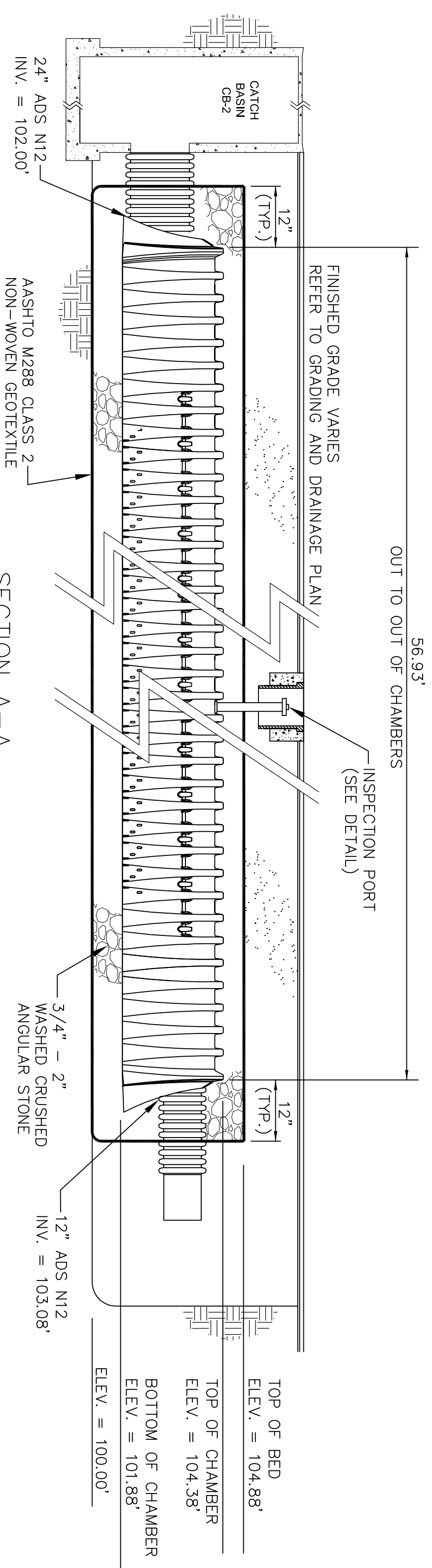
STORMTECH ACCEPTABLE FILL MATERIALS



- NOTES:
- MANHOLE FRAME AND GRATE SHALL BE DESIGNED TO WITHSTAND H-20 LOADING.
  - ACCESS LADDER WITH PRECAST DROP FRONT STEEL REINFORCED COPOLYMER RUNGS AT 12" O.C.
  - LABORON STANDARD FRAME AND COVER SET IN MORTAR. CAT NO LK 110 SET ON TOP OF BRICK MASONRY AND SEALED WITH MORTAR. COVER TO BE SUPPLIED WITH "S" LETTERING TO READ "DRAIN".

INFILTRATION SYSTEM #1

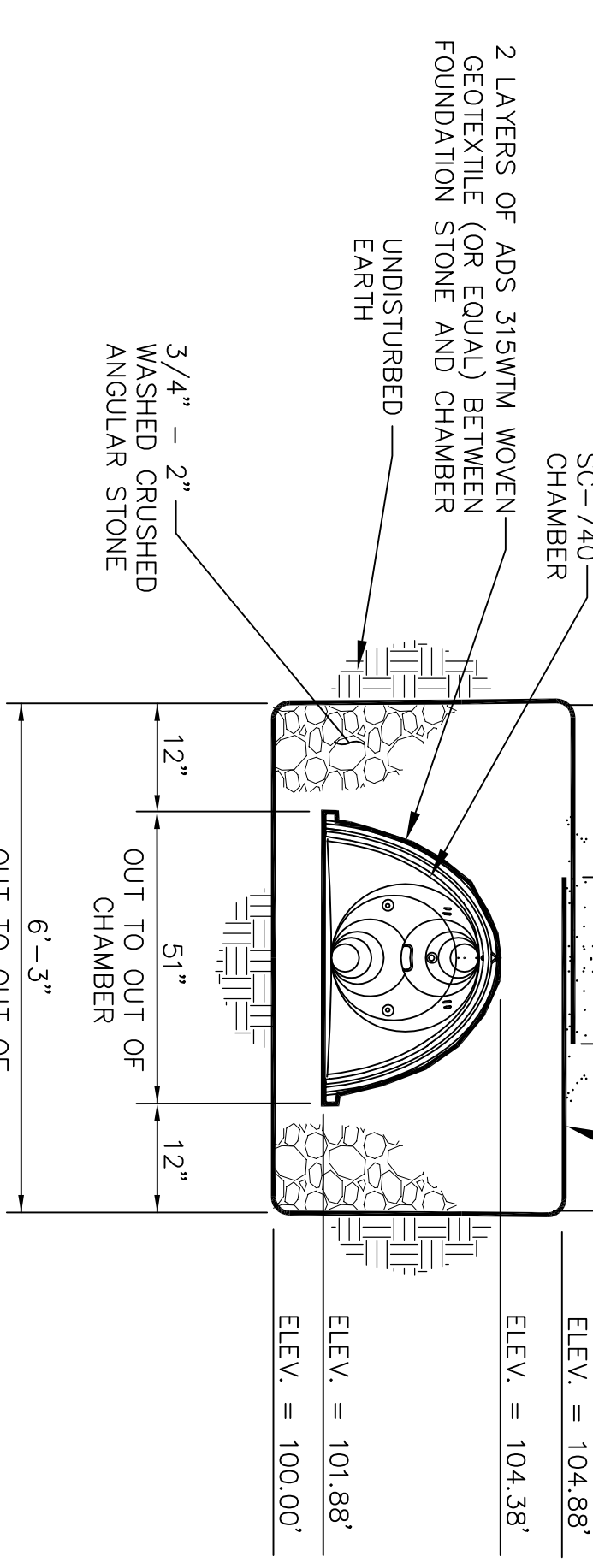
SCALE: 1" = 10'



SECTION A-A

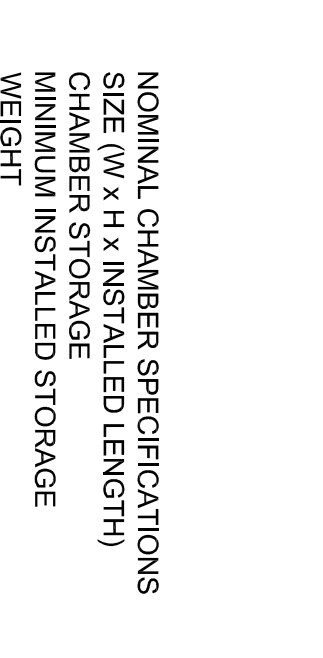
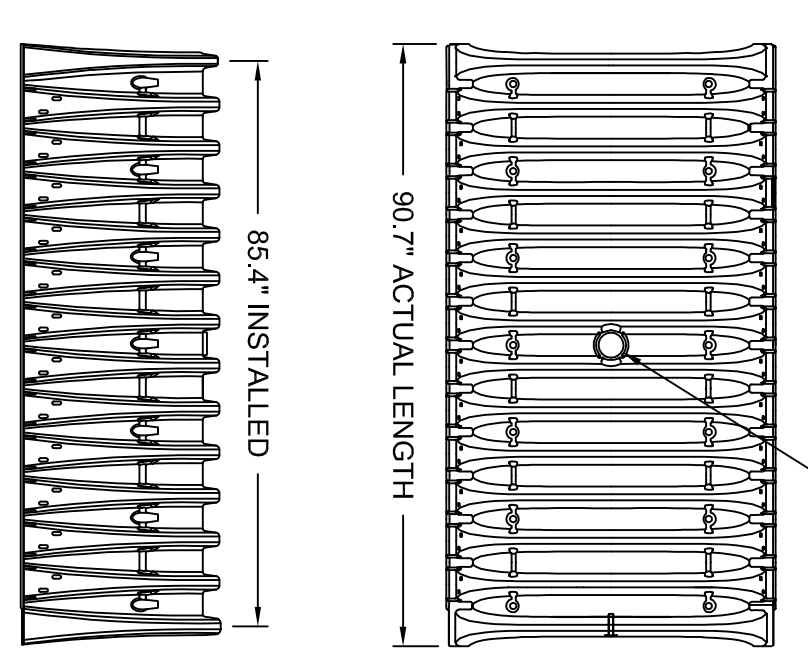
NOT TO SCALE

GRANULAR WELL GRADED SOIL/AGGREGATE MIXTURES <35% FINES, COMPACT IN 6" LIFTS TO 95% PROCTOR DENSITY MATERIAL TO BE PLACED BETWEEN SUBBASE AND TOP OF STONE AS NECESSARY (SEE THE TABLE OF ACCEPTABLE FILL MATERIALS)

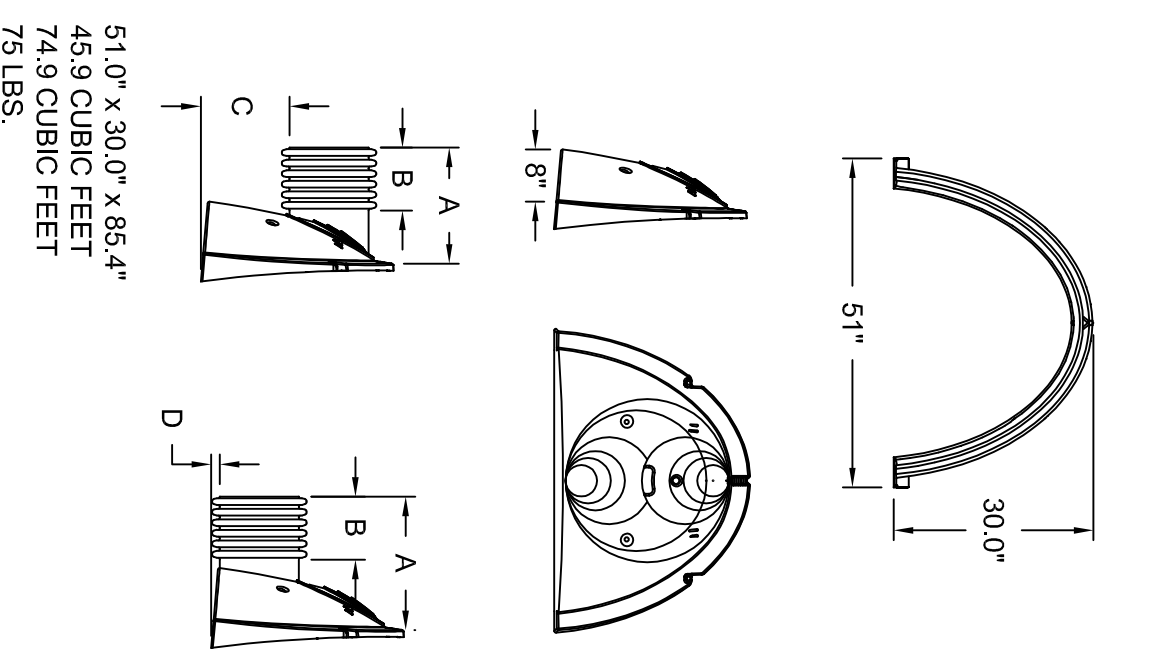


SECTION B-B

NOT TO SCALE



ACCEPTS 4" SCH 40 PIPE FOR CLEANOUT OR INSPECTION PORT



STUBS AT TOP OF END CAP FOR PARTS NUMBERS ENDING WITH "A"

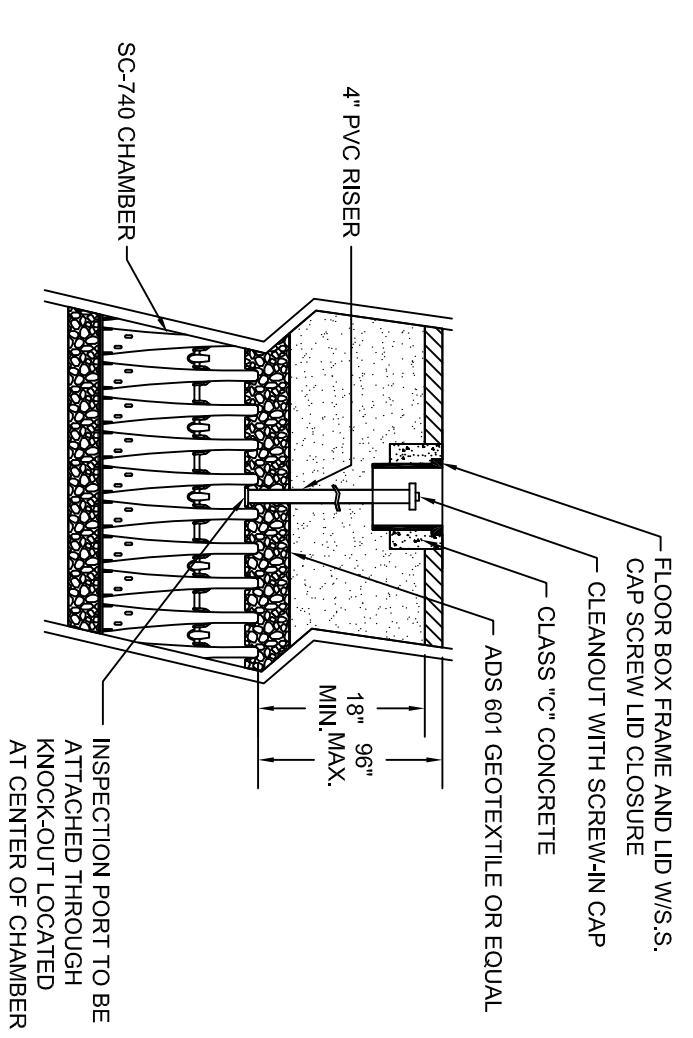
STUBS AT BOTTOM OF END CAP FOR PARTS NUMBERS ENDING WITH "B"

PART #	CHAMBER	PIPE SIZE	A	B	C	D
SC740PE128	SC 740	12 in (300 mm)	14.70 in (373 mm)	7.70 in (196 mm)	N/A	1.20 in (30 mm)

NOTE: ALL DIMENSIONS ARE NOMINAL  
ALL STUBS, EXCEPT FOR THE SC740PE128, ARE PLACED AT APPROXIMATELY 1/2" BELOW THE BOTTOM OF THE END CAP. THE SC740PE128 IS FLUSH WITH THE BOTTOM OF THE END CAP. THE FINISH SETS LEVEL AT 1-888-892-2694.

SC-740 TECHNICAL DETAILS

NOT TO SCALE

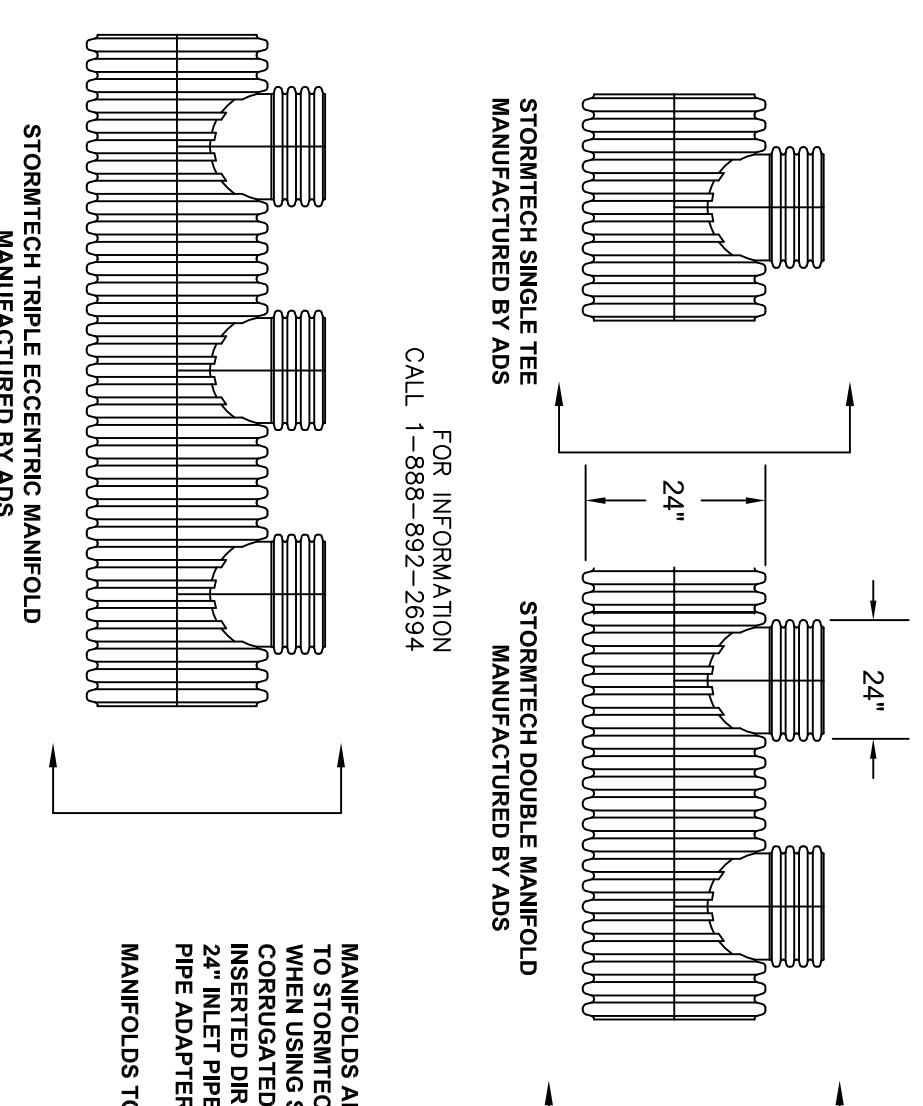


STORMTECH INSPECTION PORT DETAIL

NOT TO SCALE

ADS MANIFOLDS

NOT TO SCALE



MANIFOLDS ARE DESIGNED TO BE COUPLED TO STORMTECH PREFABRICATED END CAPS. WHEN USING STANDARD END CAPS, CONCRETE PREP UP TO 18 INCHES CAN BE USED TO COUPLER. 24" INLET PIPES, A CONCRETE TO SMOOTH PIPE ADAPTER IS REQUIRED.

MANIFOLDS TO BE 24" DIA.

- NOTES:
- ALL DESIGN SPECIFICATIONS FOR STORMTECH CHAMBERS SHALL BE IN ACCORDANCE WITH THE STORMTECH DESIGN MANUAL.
  - THE INSTALLATION OF STORMTECH CHAMBERS SHALL BE IN ACCORDANCE WITH THE LATEST STORMTECH INSTALLATION INSTRUCTIONS.
  - THE CONTRACTOR IS ADVISED TO REVIEW AND UNDERSTAND THE INSTALLATION INSTRUCTIONS PRIOR TO BEGINNING SYSTEM INSTALLATION. CALL 1-888-892-2694 OR VISIT WWW.STORMTECH.COM TO RECEIVE A COPY OF THE LATEST STORMTECH INSTALLATION INSTRUCTIONS.

Revised	By	Date	Change
1	SM	10/19/14	REVISED PER PEER REVIEW COMMENTS
2	SM	10/19/14	REVISED PER TOWN COMMENTS

PROJECT NUMBER: 33229.02  
DRAWING TITLE: UNDERGROUND DETENTION SYSTEM DETAILS

Project Name and Location:  
PAMELA ROAD EXTENSION  
PAMELA ROAD, PORTLAND, MAINE 04101  
TELUS CAPITAL, LLC  
2 MILK STREET, PORTLAND, MAINE 04101

Surveying Engineering Land Planning  
**NCS**  
Northeast Civil Solutions  
153 US ROUTE 1, SCARBOROUGH, MAINE 04074  
Tel: 207.883.1000  
Fax: 207.883.1001  
e-mail: info@northeastcivilsolutions.com