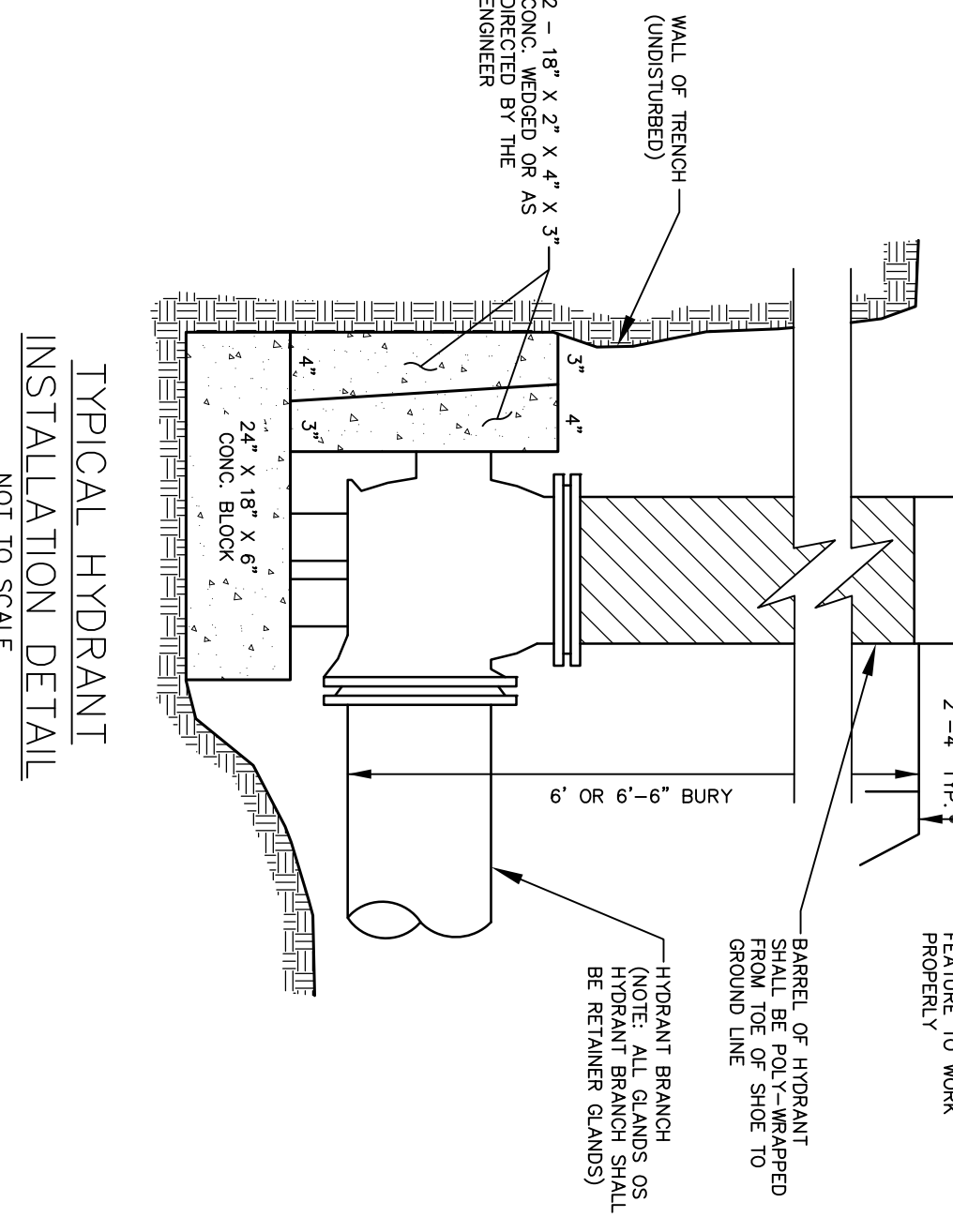
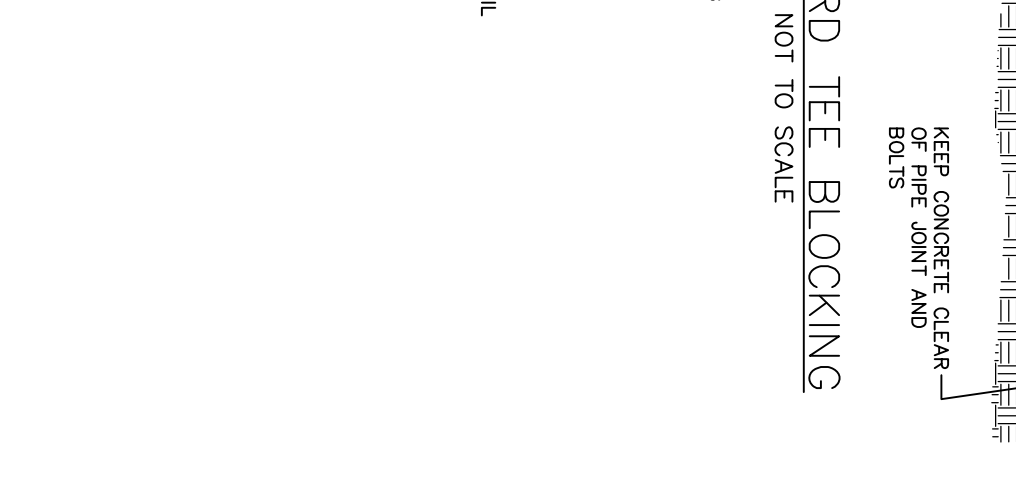
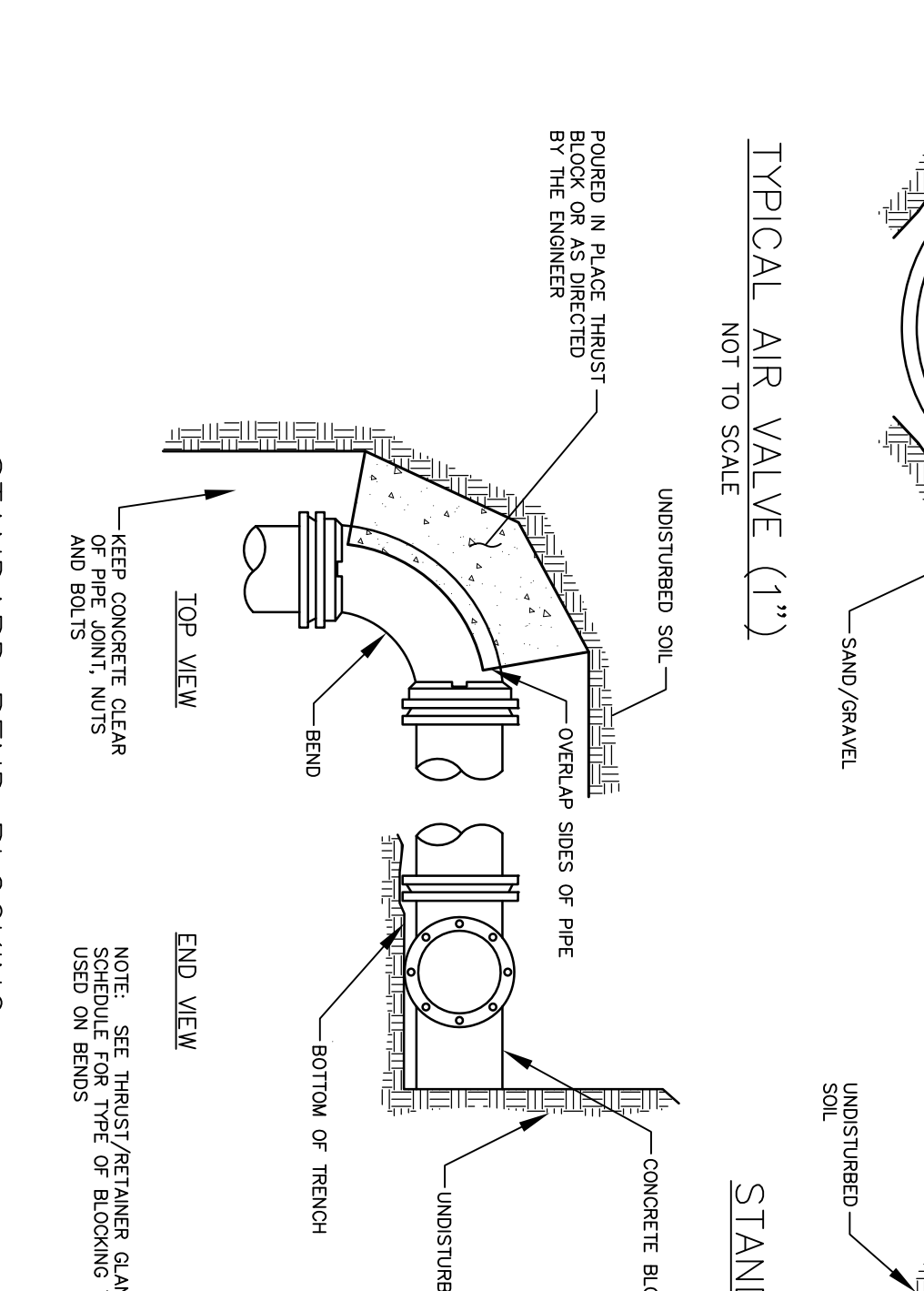
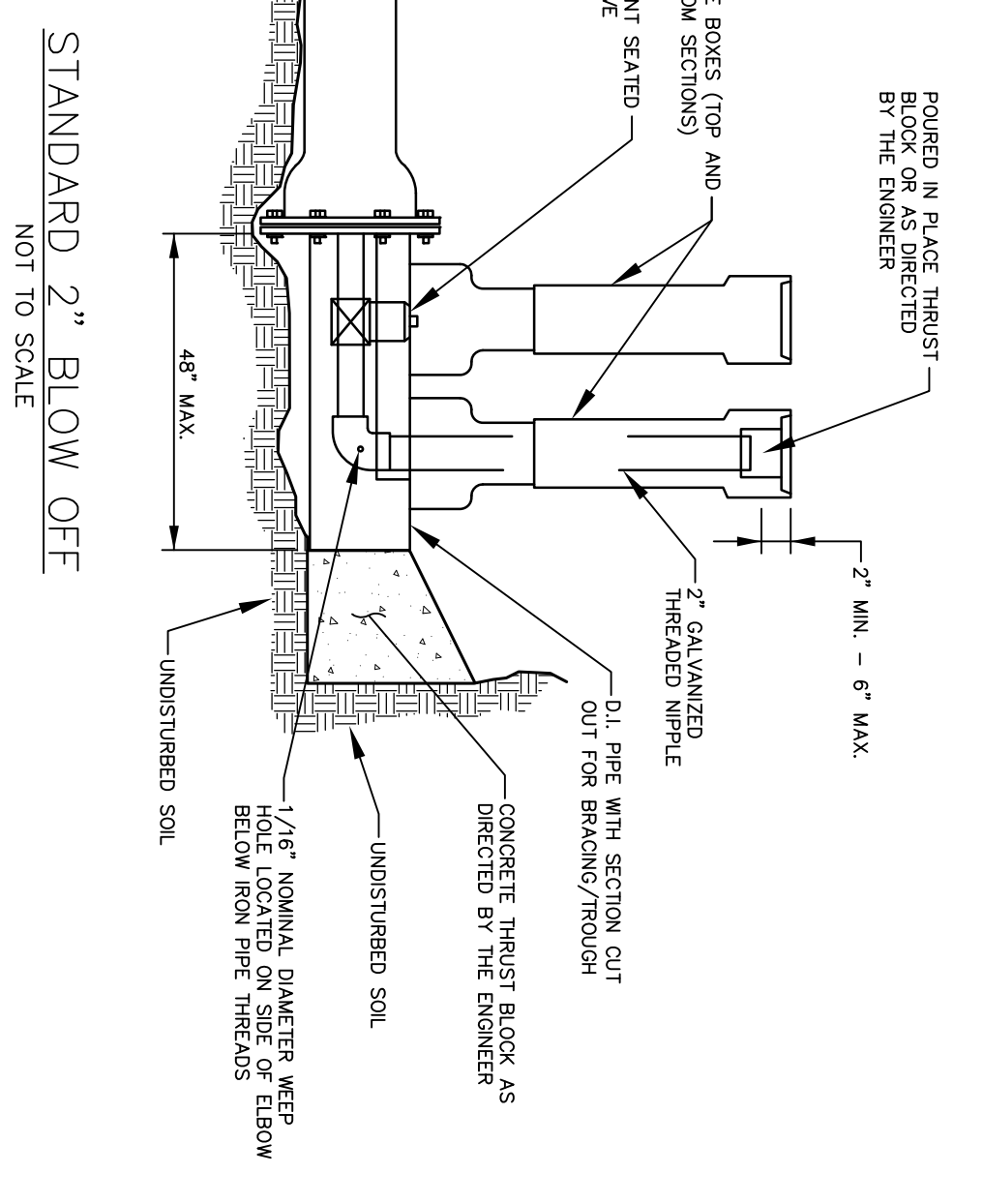
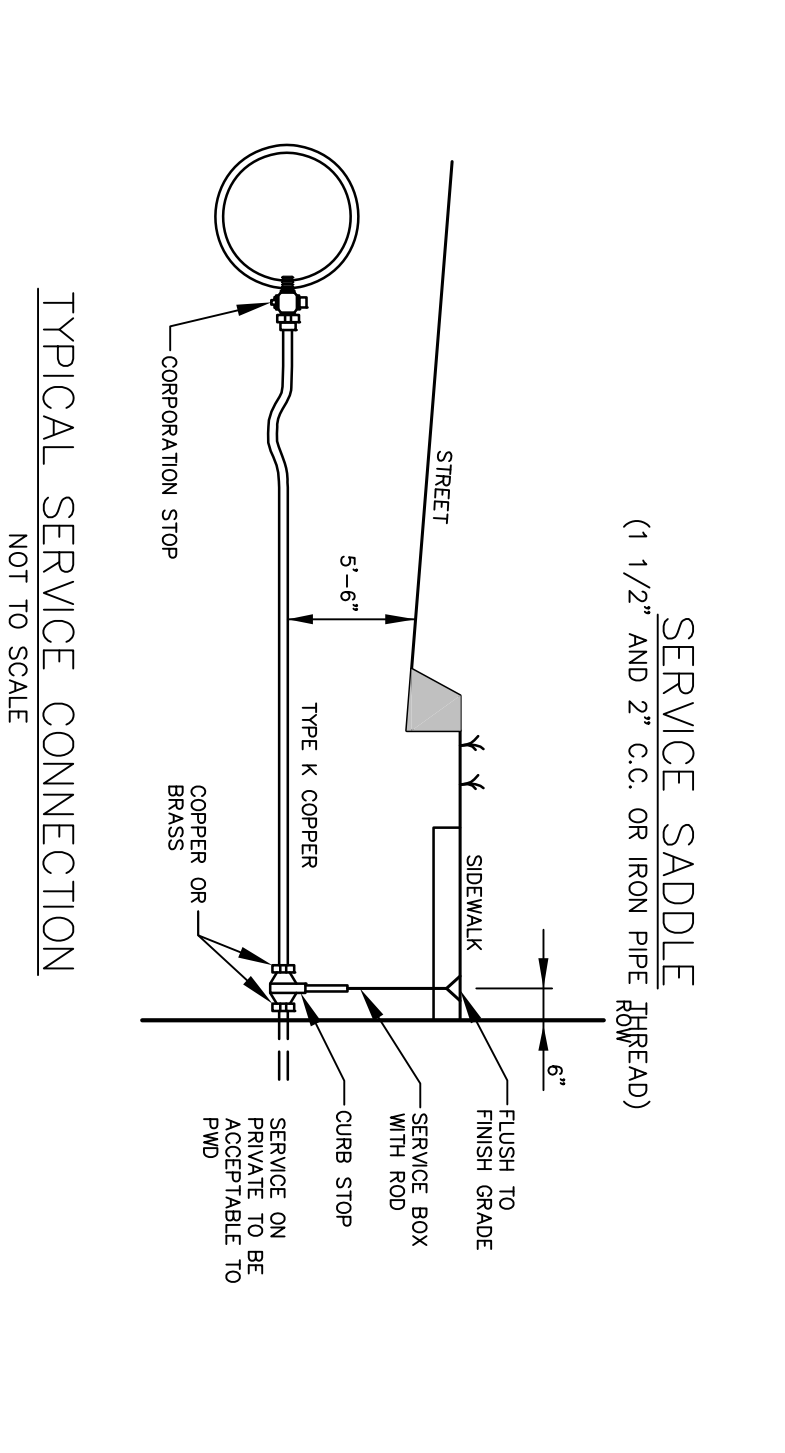
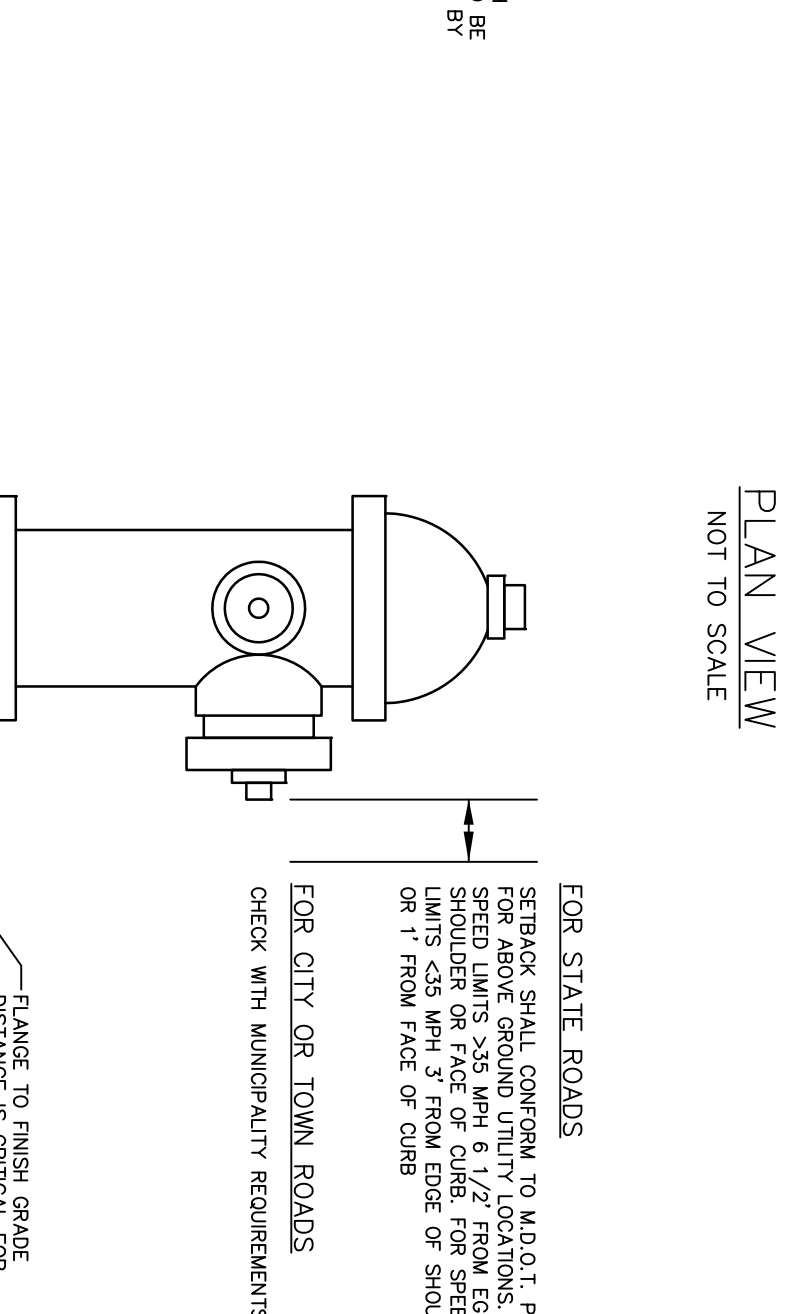
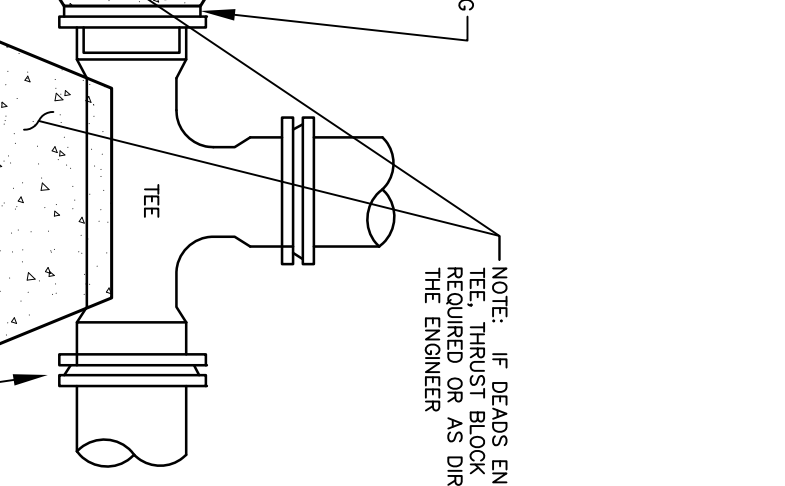
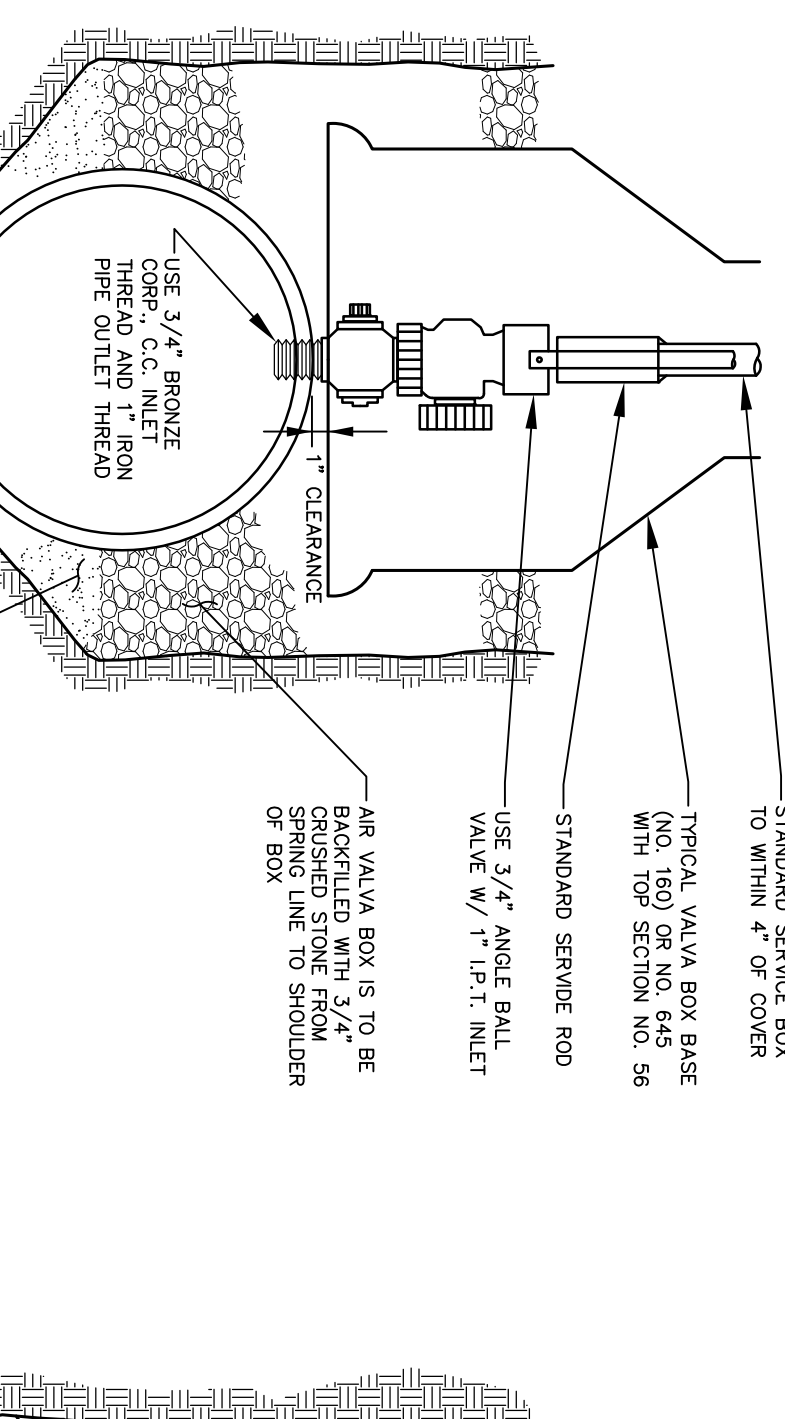
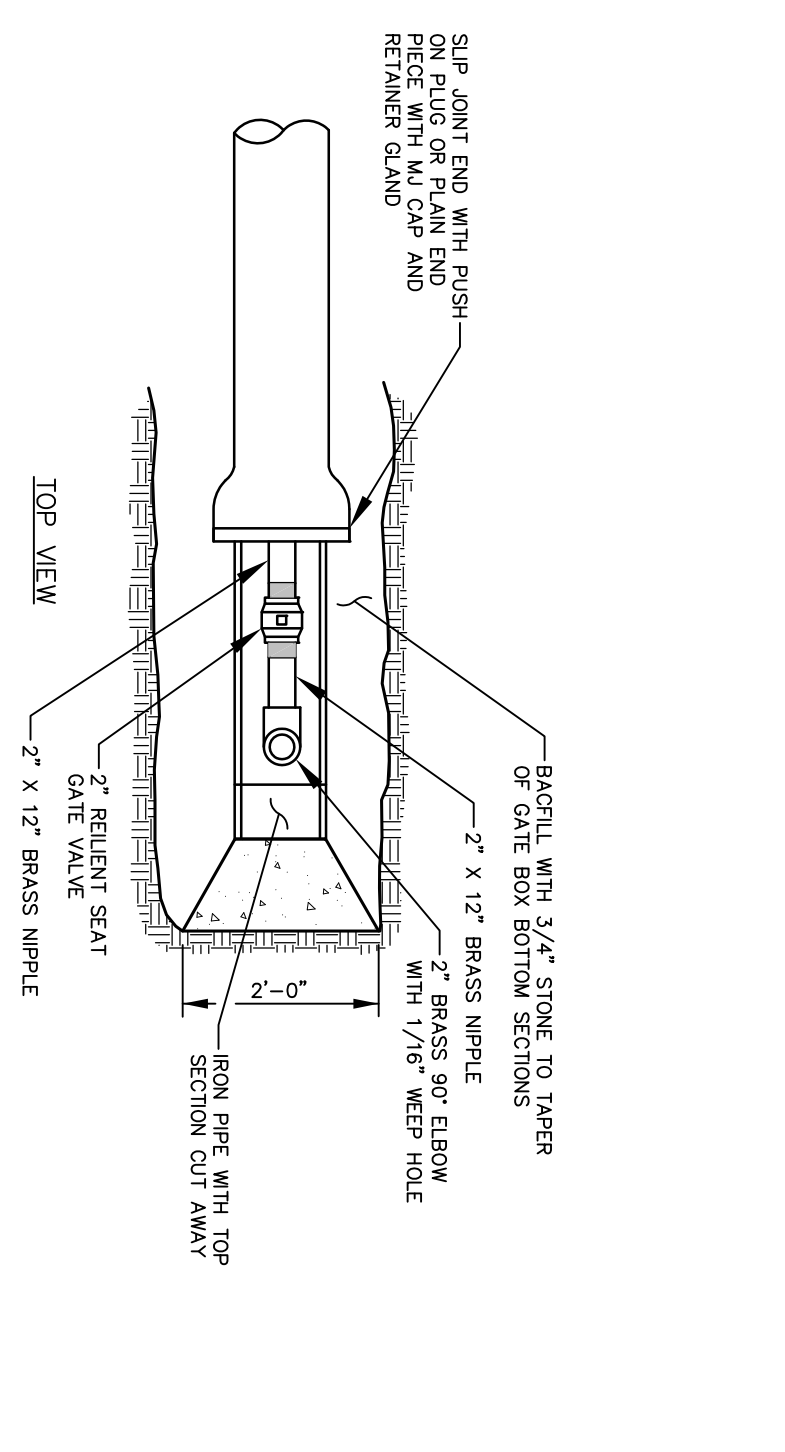


*** NOTE: ***
 ALL DUCTILE IRON PIPE AND FITTINGS SHALL BE POLYWRAPPED



THIS PLAN IS FOR REVIEW PURPOSES ONLY AND IS NOT INTENDED FOR CONSTRUCTION OR RECORDING

Number	By	Check	Date
1	SMA	10/14/14	REVISED PER TOWN COMMENTS

PROJECT NUMBER: 33229.02
 ACAD FILE: 33229-DETAILS.DWG
 SCALE: NTS
 DATE: AUGUST 4, 2014

CONSTRUCTION DETAILS - SHEET 3

Project Name and Location:
PAMELA ROAD EXTENSION
 PAMELA ROAD, PORTLAND, MAINE 04101

Prepared For:
TELLOS CAPITAL, LLC
 2 MILK STREET, PORTLAND, MAINE 04101

Northwest Civil Solutions
 SURVEYING ENGINEERING LAND PLANNING
 INCORPORATED
 153 US ROUTE 1, SCARBOROUGH, MAINE 04074
 Tel: 207.883.1000
 Fax: 207.883.1001
 Email: info@northwestcivilsolutions.com