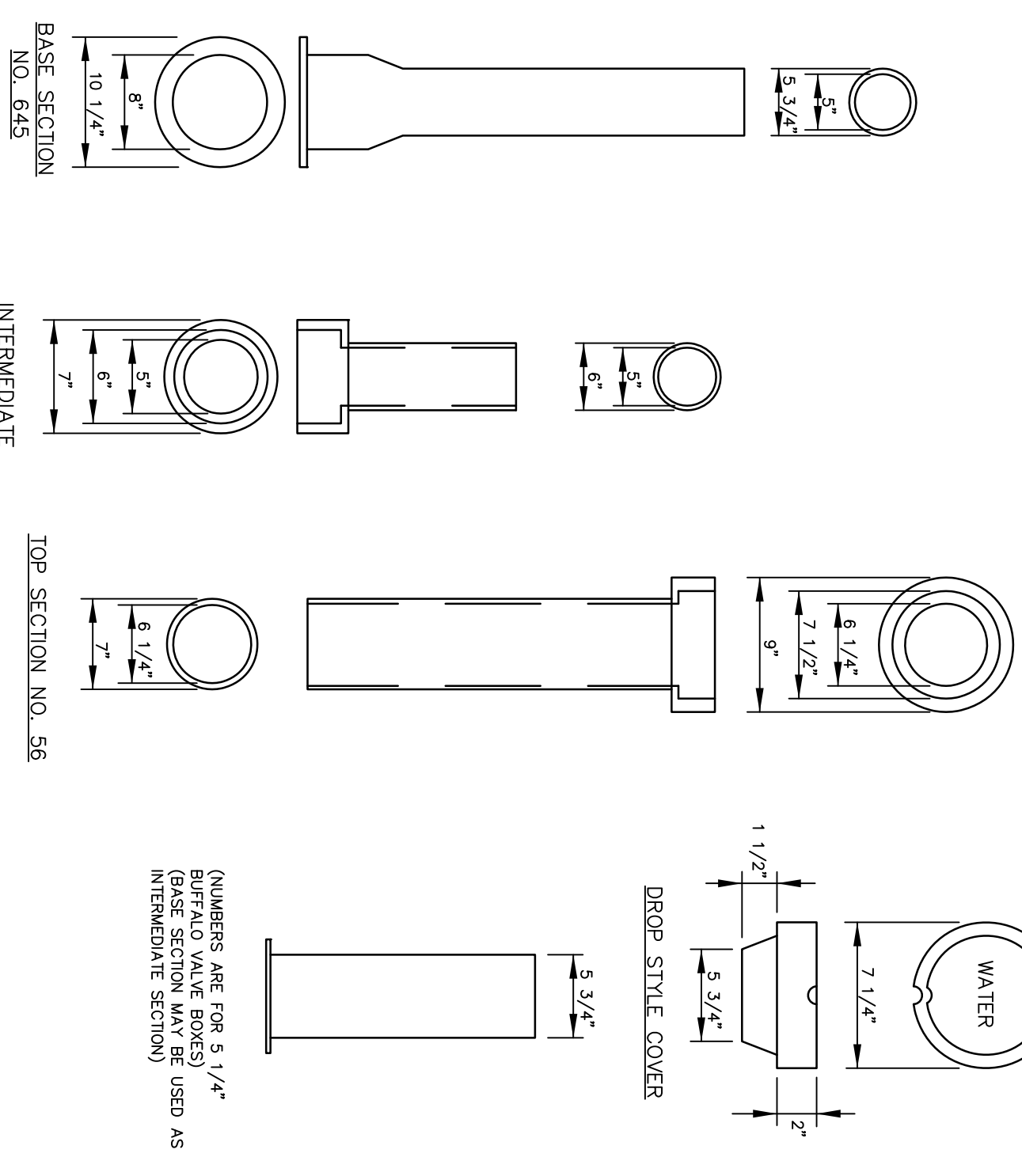
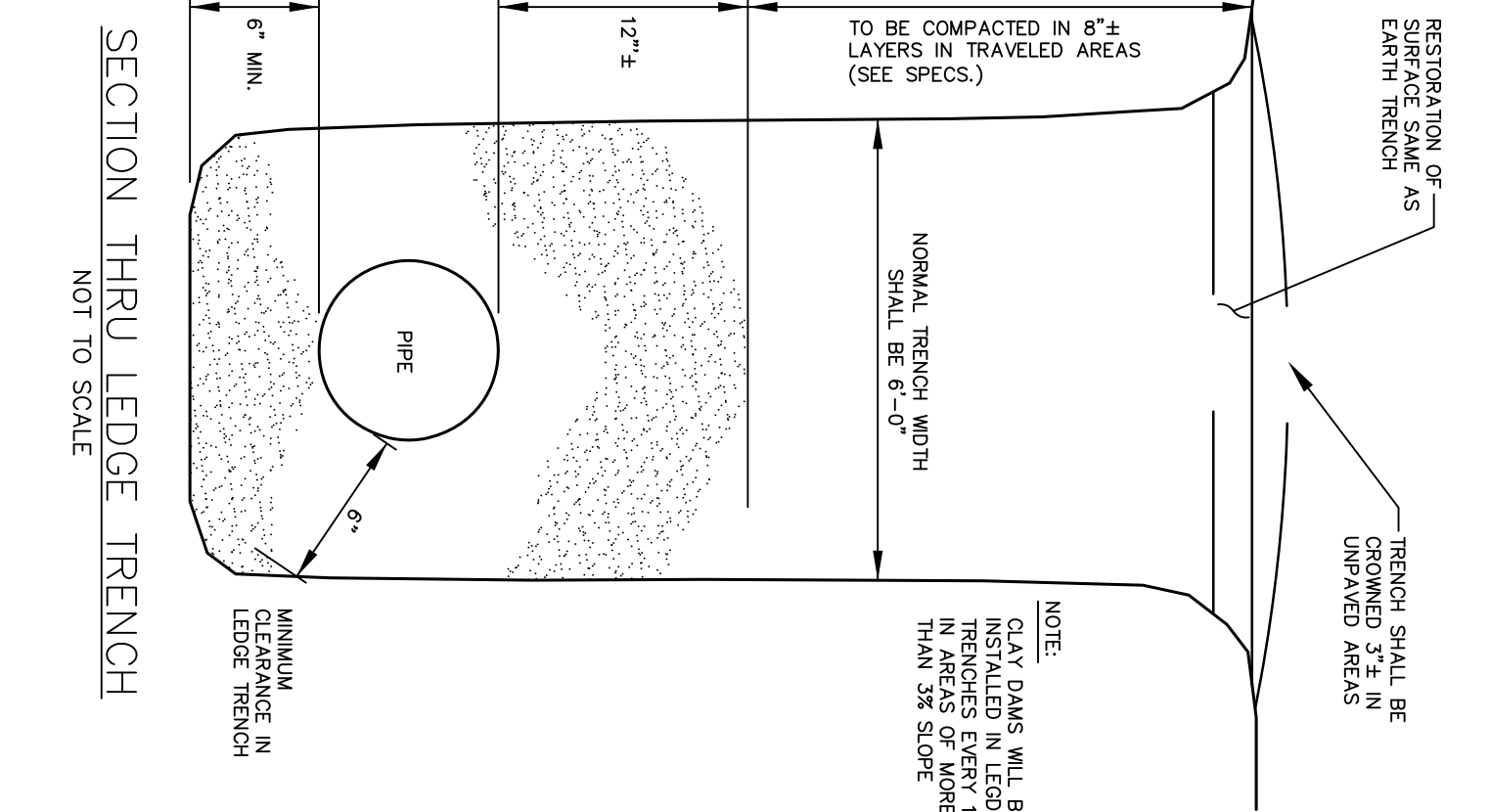
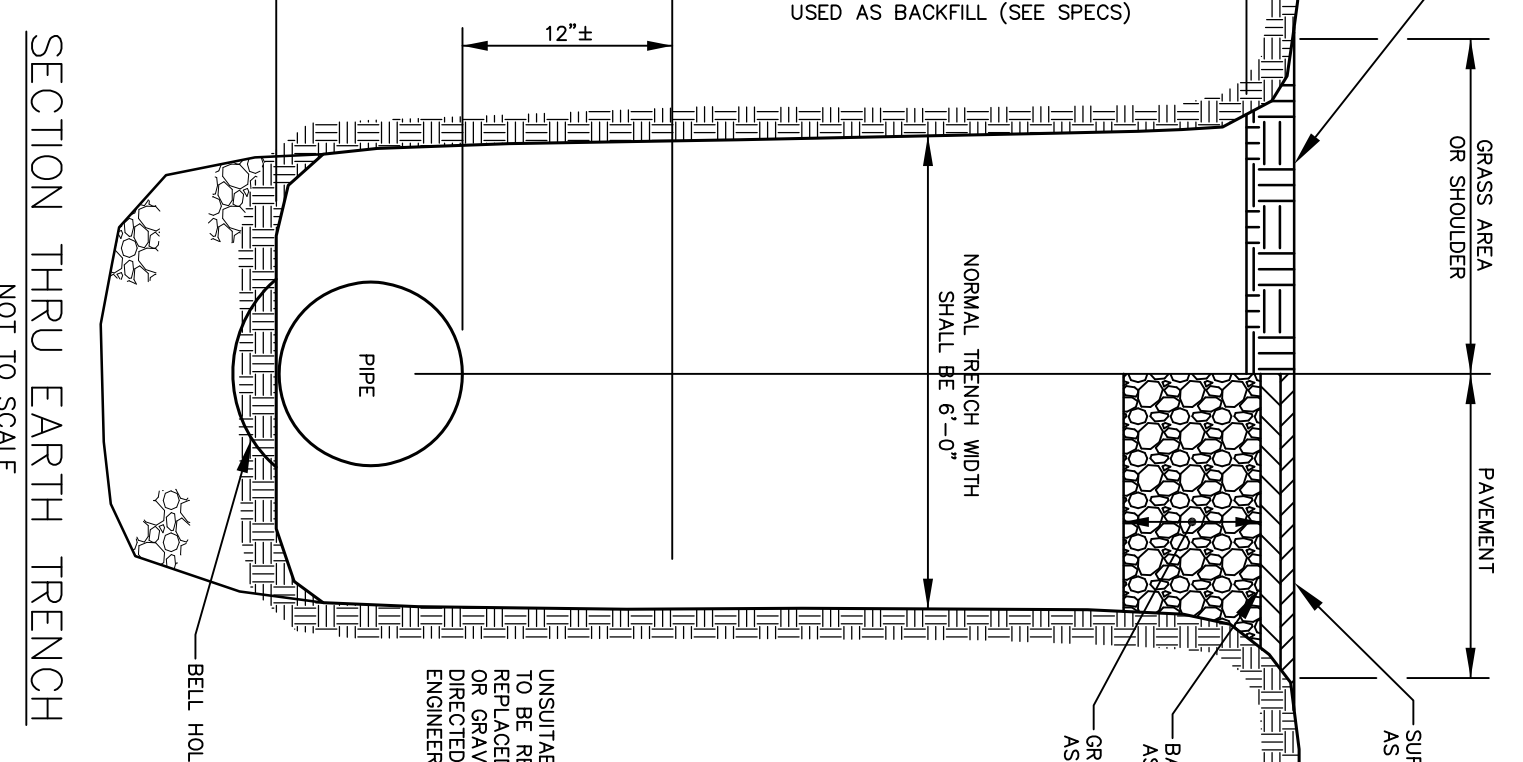


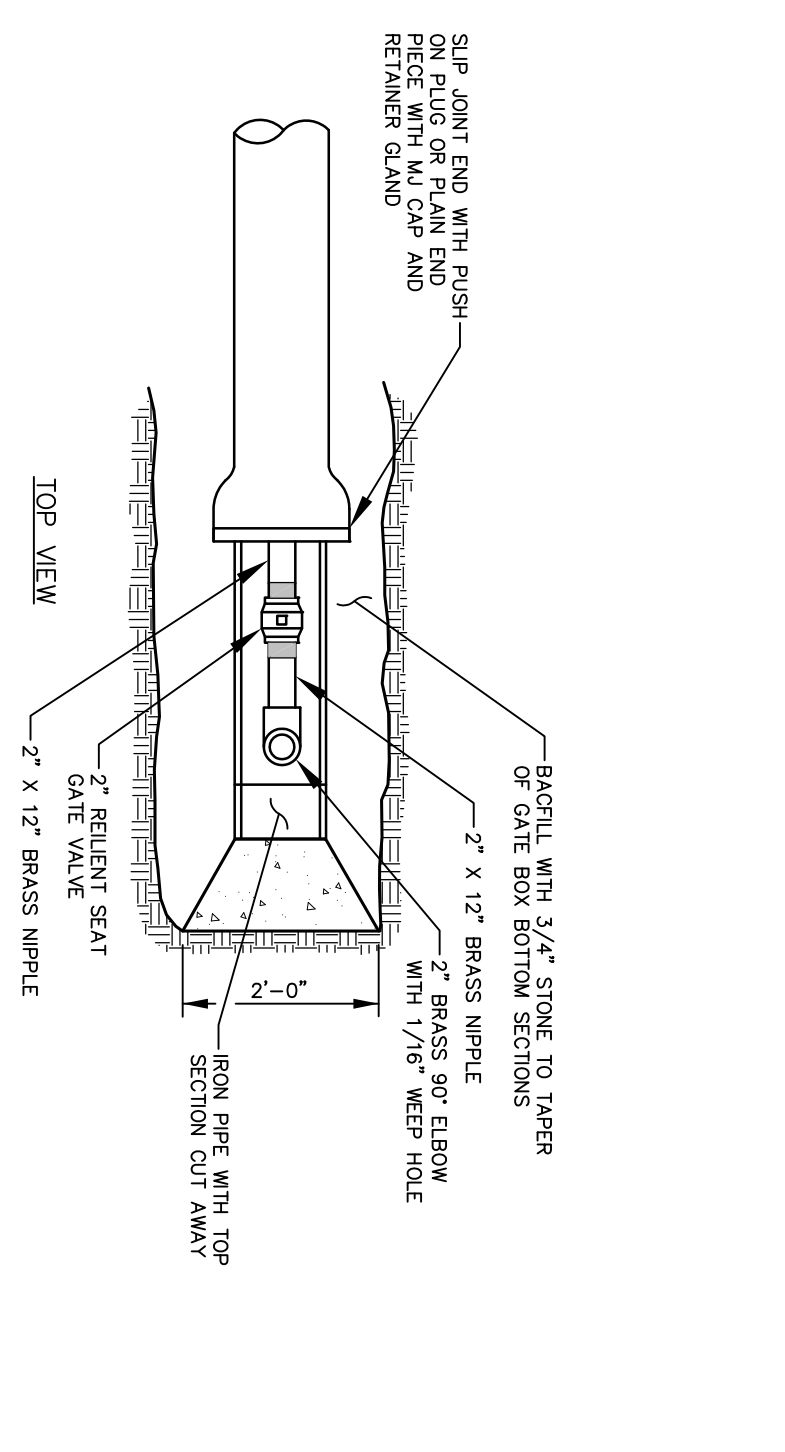
NOTE: ANY EXTENSION OF SERVICE BOX REQUIRES A CORNING & 1" THREADED PIPE



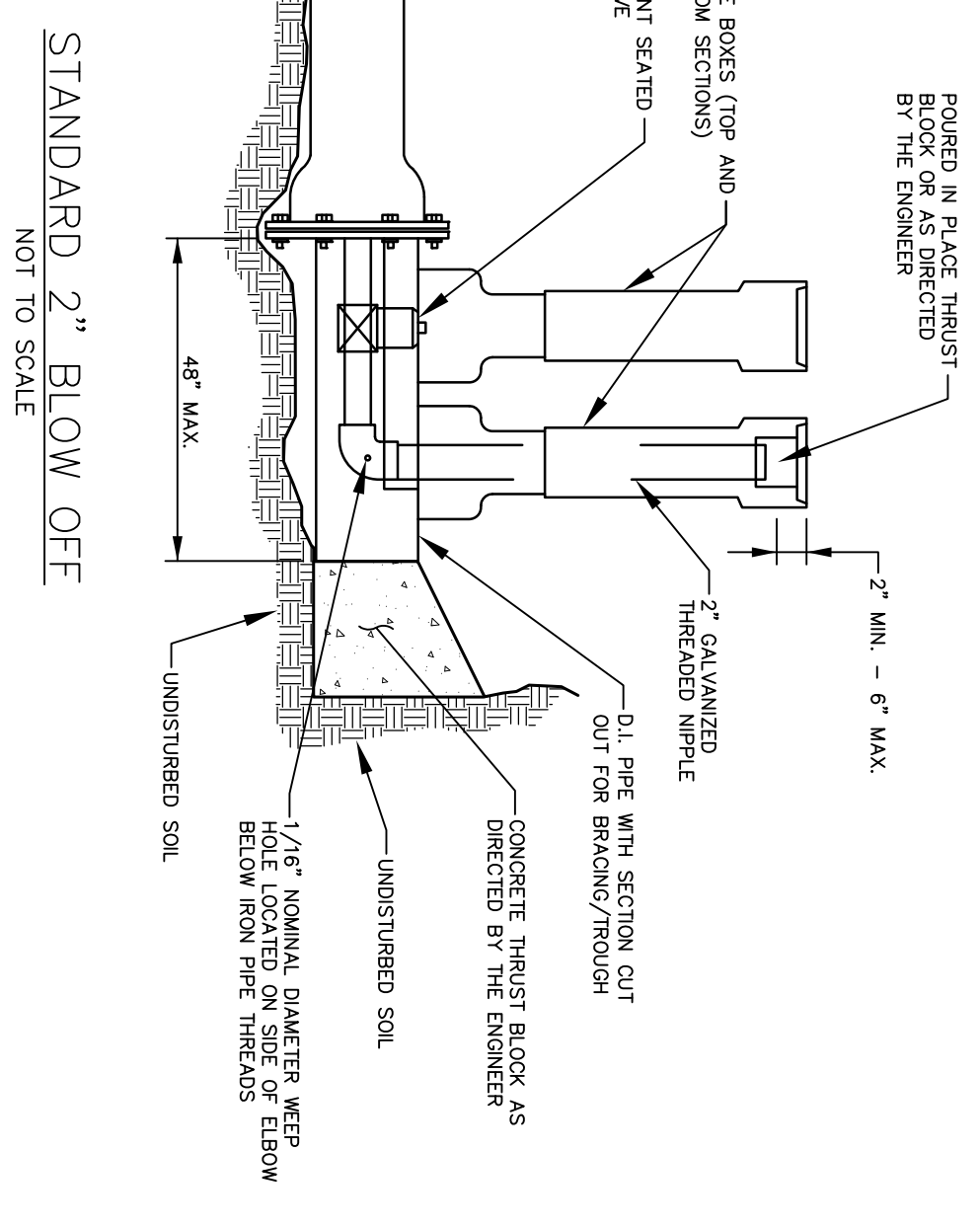
VALVE BOX & COVER
NOT TO SCALE



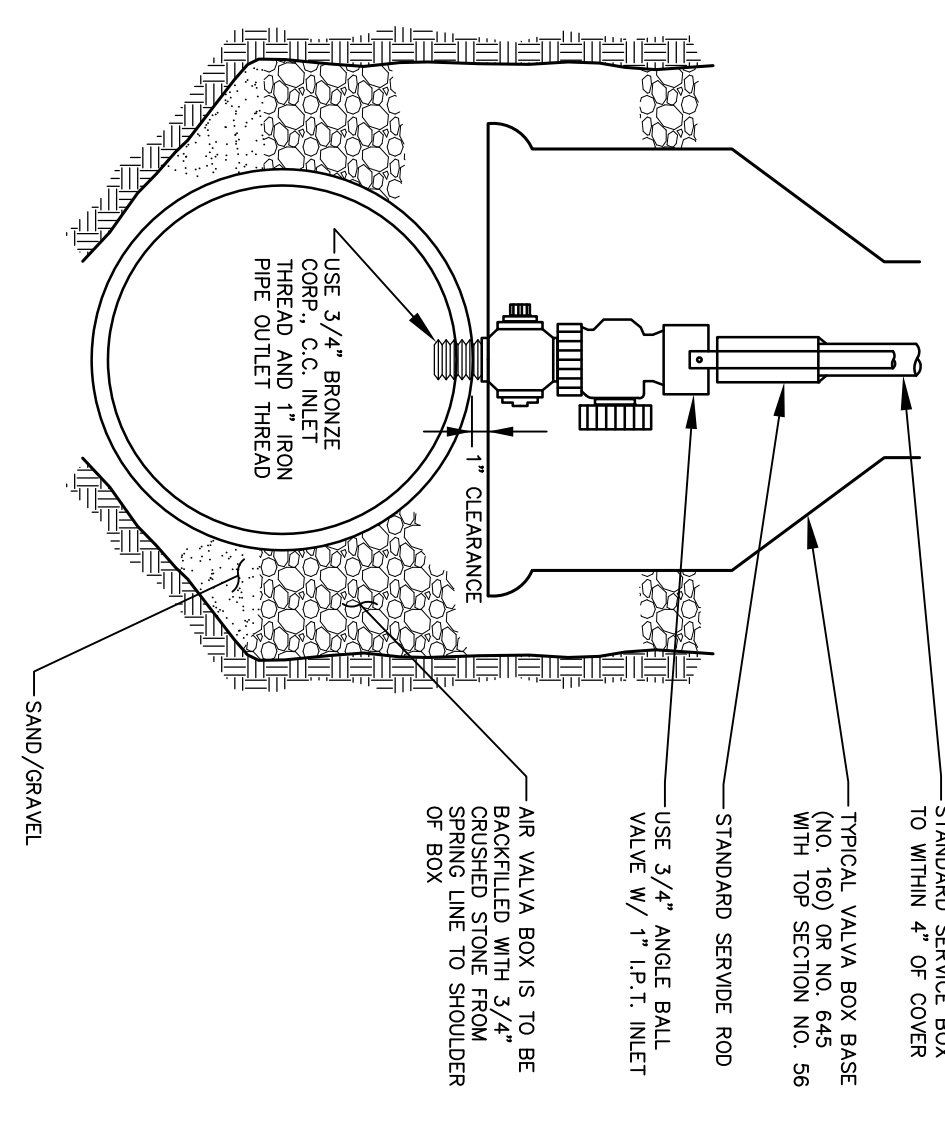
*** NOTE: ***
ALL DUCTILE IRON PIPE AND FITTINGS SHALL BE POLYWRAPPED



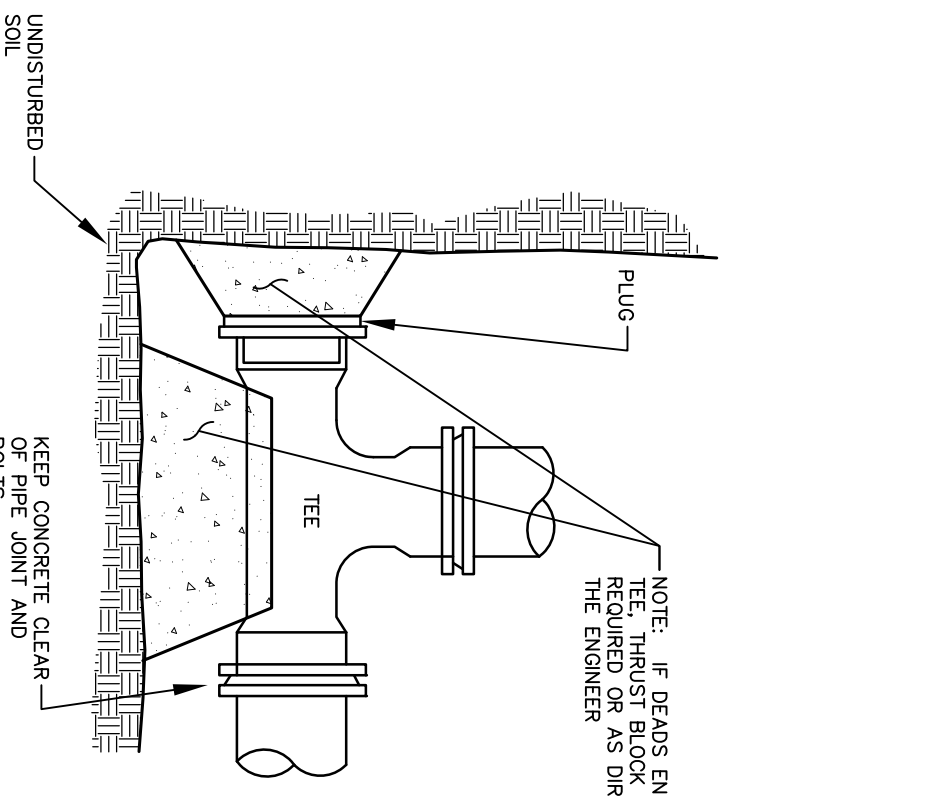
POURED IN PLACE THURST BLOCK OR AS DIRECTED BY THE ENGINEER



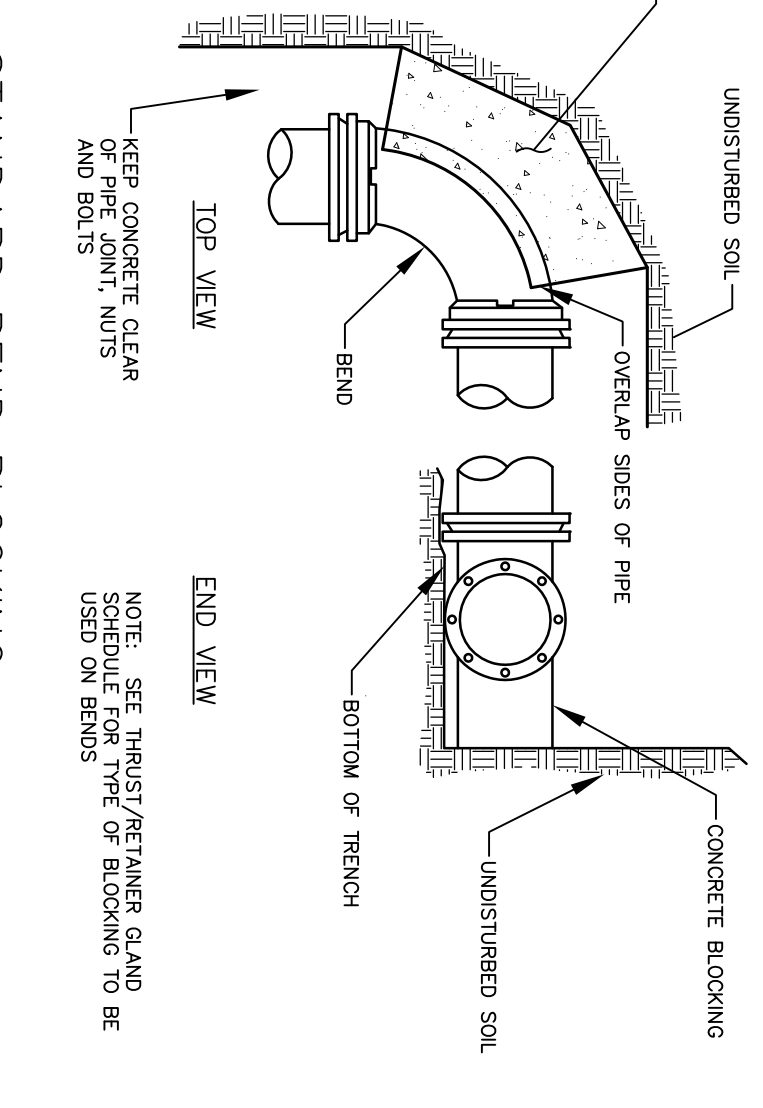
STANDARD 2" BLOW OFF
NOT TO SCALE



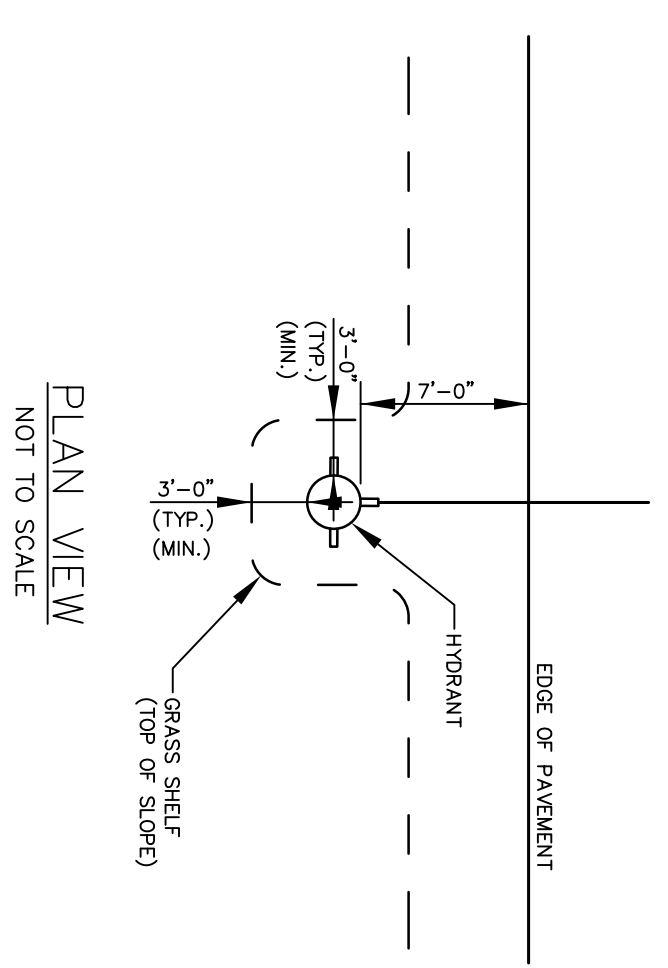
TYPICAL AIR VALVE (1")
NOT TO SCALE



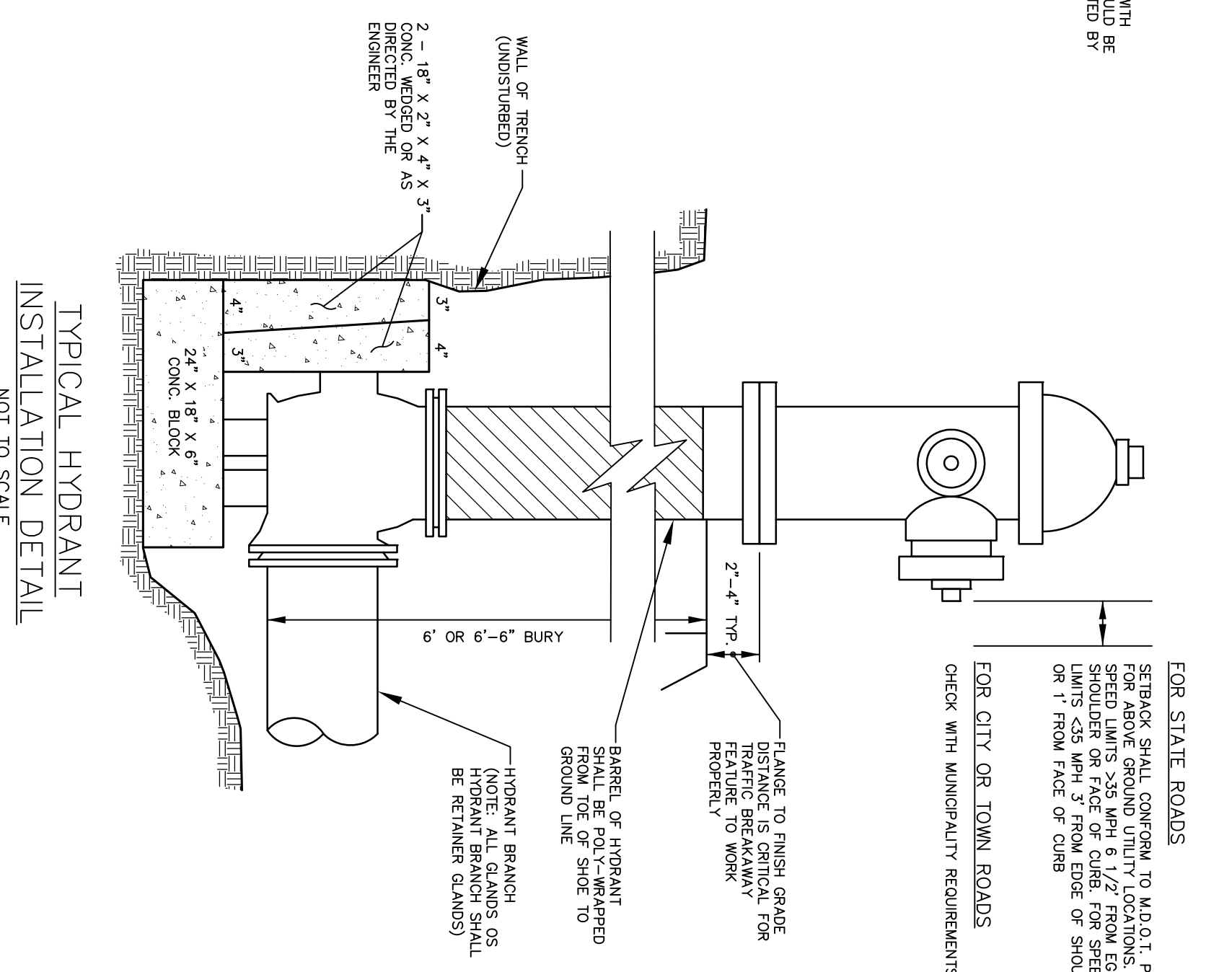
STANDARD TEE BLOCKING
NOT TO SCALE



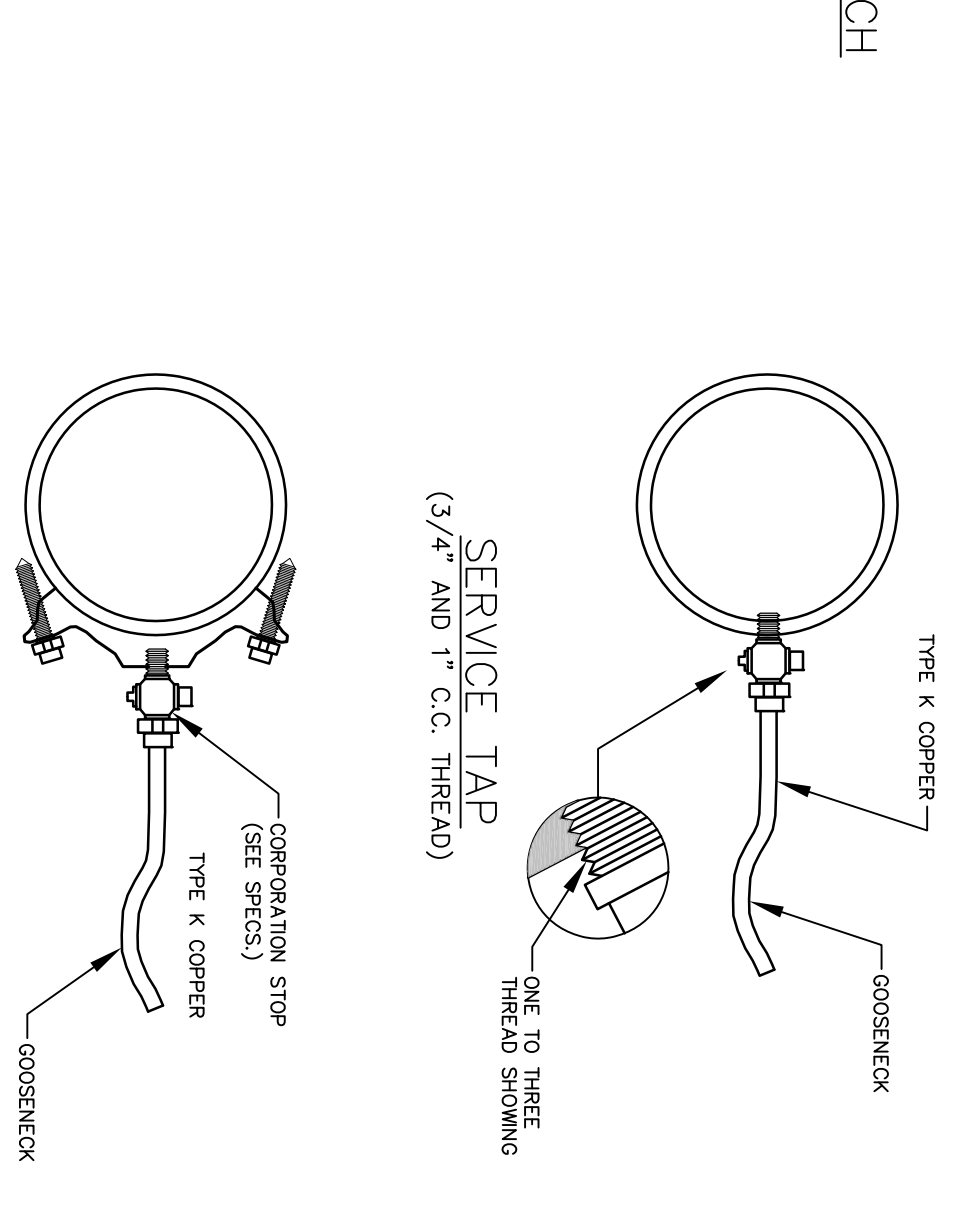
STANDARD BEND BLOCKING
NOT TO SCALE



PLAN VIEW
NOT TO SCALE



TYPICAL HYDRANT INSTALLATION DETAIL
NOT TO SCALE



TYPICAL SERVICE CONNECTION
NOT TO SCALE

THIS PLAN IS FOR REVIEW PURPOSES ONLY AND IS NOT INTENDED FOR CONSTRUCTION OR RECORDING

NO.	DATE	BY	CHKD.	CHANGE
1	10/14/14	SMA		REVISED PER TOWN COMMENTS

PROJECT NUMBER: 33229.02
ACAD FILE: 33229-DETAILS.DWG
SCALE: NTS
DATE: AUGUST 4, 2014

CONSTRUCTION DETAILS - SHEET 3

Project Name and Location:
PAMELA ROAD EXTENSION
PAMELA ROAD, PORTLAND, MAINE 04101

Prepared For:
TELLOS CAPITAL, LLC
2 MILK STREET, PORTLAND, MAINE 04101

Northwest Civil Solutions
SURVEYING ENGINEERING LAND PLANNING
INCORPORATED
153 US ROUTE 1, SCARBOROUGH, MAINE 04074
Tel: 207.883.1000
Fax: 207.883.1001
Email: info@northwestcivilsolutions.com