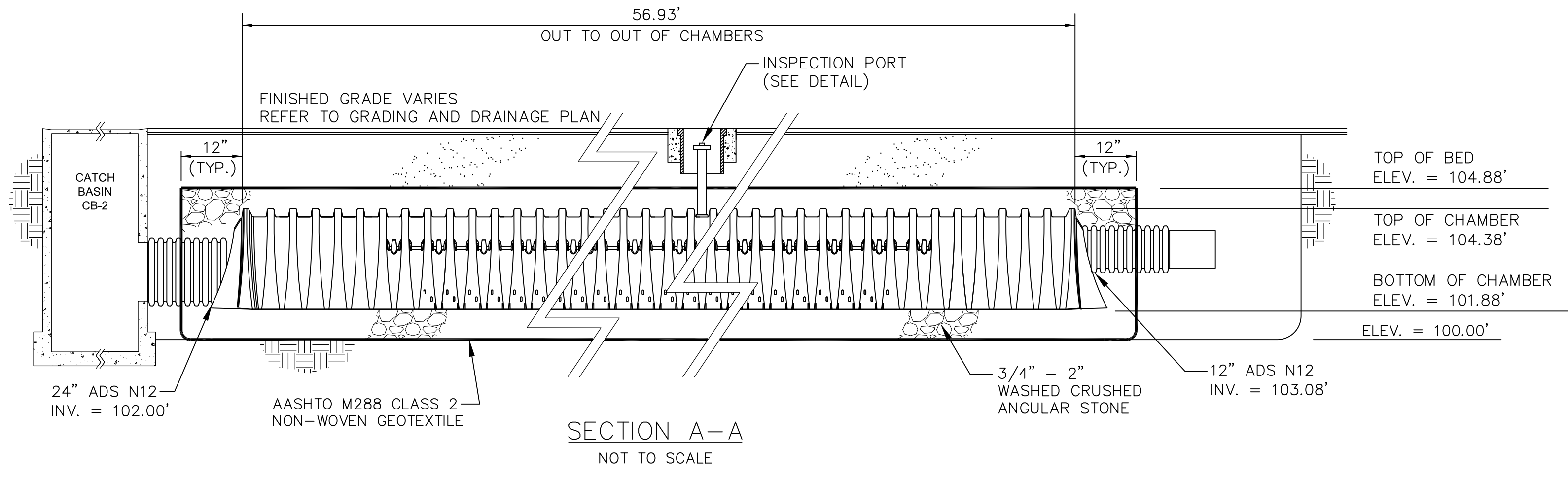
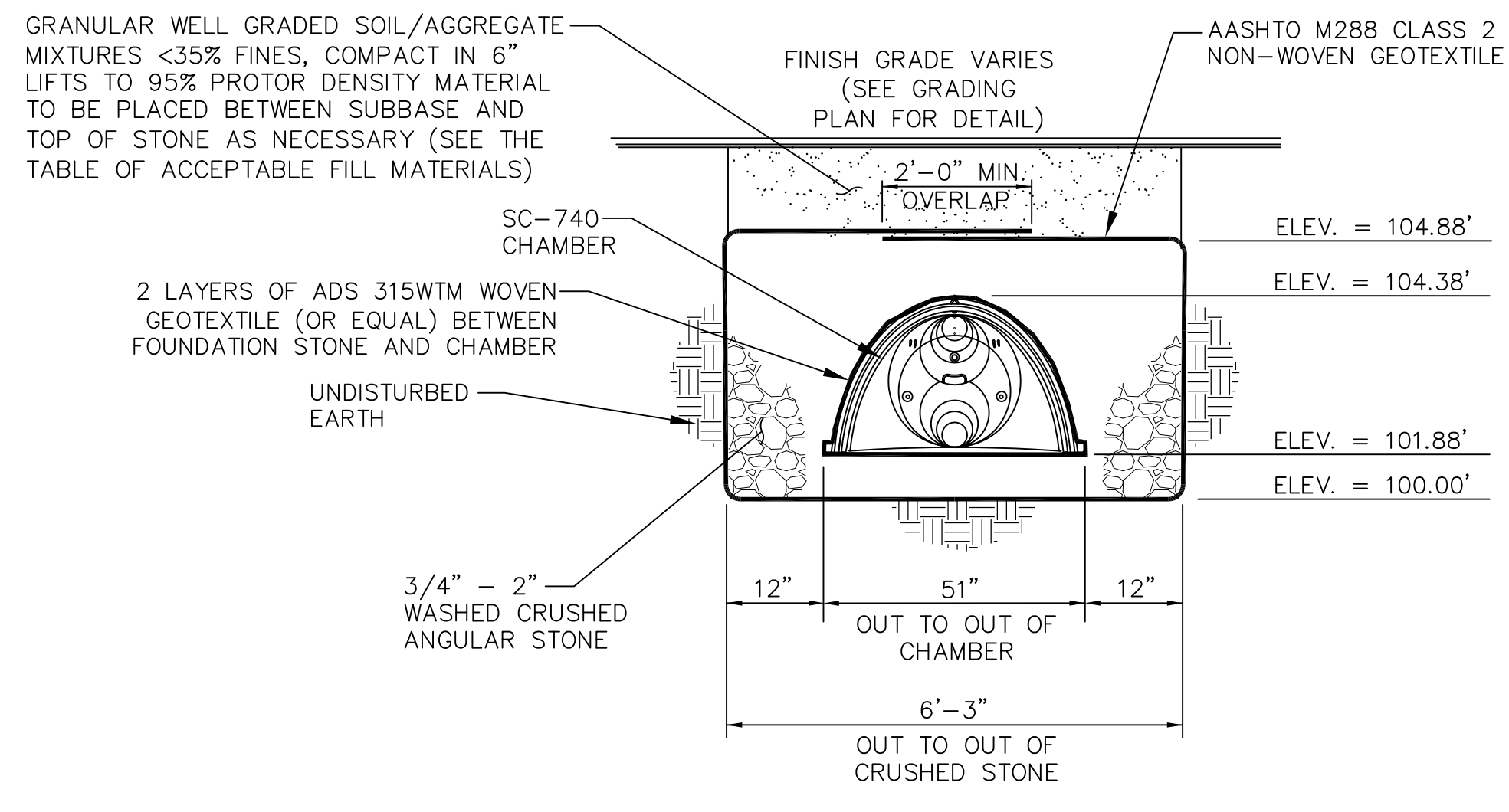


- NOTES:
1. MANHOLE FRAME AND GRATE SHALL BE DESIGNED TO WITHSTAND H-20 LOADING.
 2. ACCESS LADDER WITH PRECAST DROP FRONT STEEL REINFORCED COPOLYMER RUNGS AT 12" O.C.
 3. LeBARON STANDARD FRAME AND COVER SET IN MORTAR. CAT NO LK 110 SET ON TOP OF BRICK MASONRY AND SEALED WITH MORTAR. COVER TO BE SUPPLIED WITH 3" LETTERING TO READ "DRAIN".

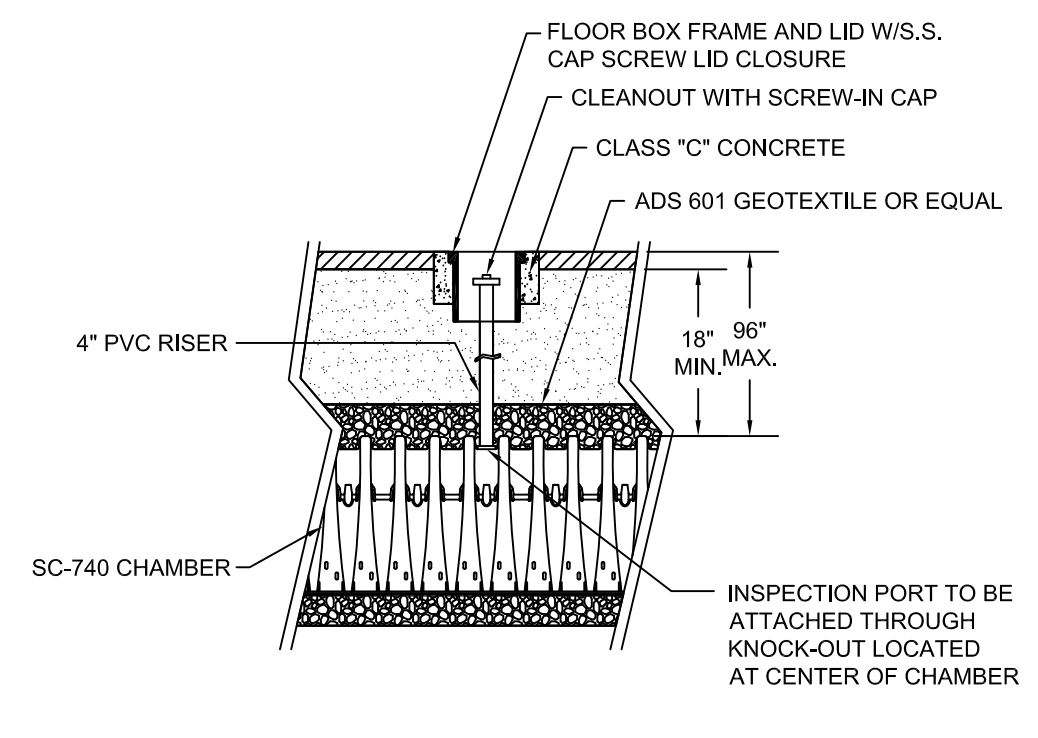
INFILTRATION SYSTEM #1
SCALE: 1" = 10'



SECTION A-A
NOT TO SCALE



SECTION B-B
NOT TO SCALE

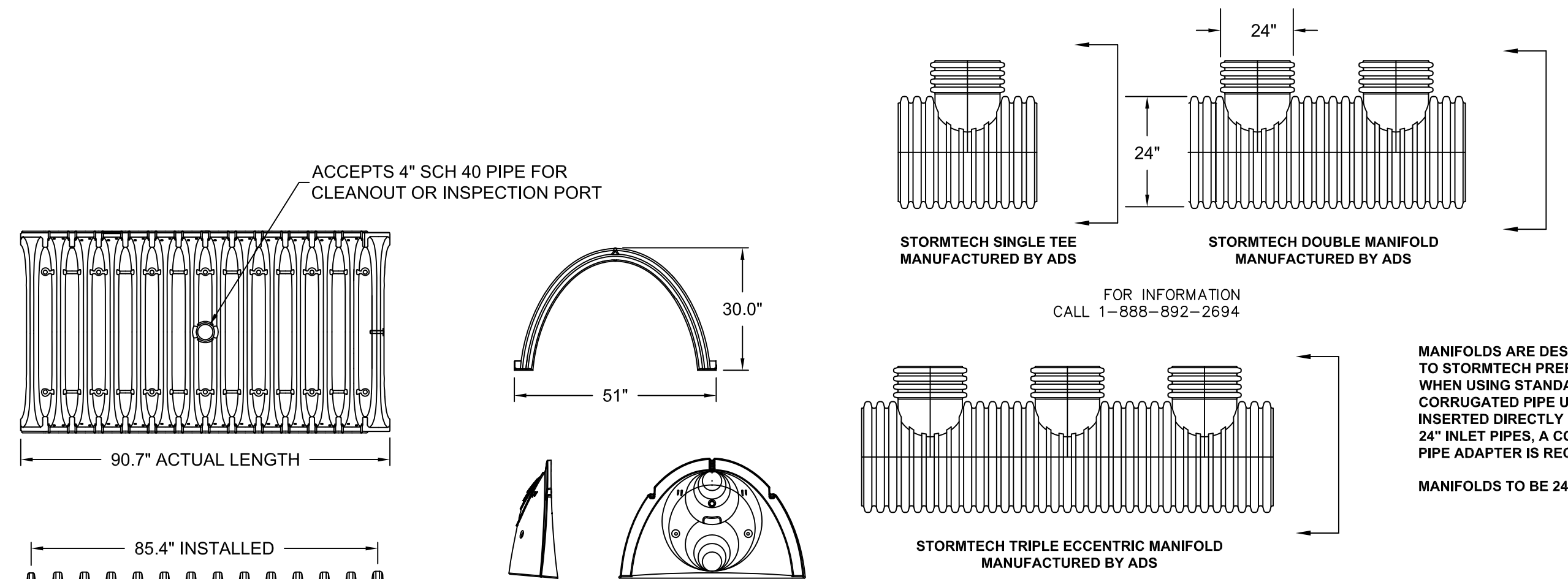


STORMTECH INSPECTION PORT DETAIL
NOT TO SCALE

ACCEPTABLE FILL MATERIALS
STORMTECH SC-740 CHAMBER SYSTEMS

MATERIAL LOCATION	DESCRIPTION	AASHTO M43 DESIGNATION	AASHTO M145 DESIGNATION	COMPACTION/DENSITY REQUIREMENT
FILL MATERIAL FROM 18" TO GRADE ABOVE CHAMBERS	ANY SOIL/ROCK MATERIALS, NATIVE SOILS OR PER ENGINEER'S PLANS. (SEE TYPICAL STORMWATER TRENCH SECTION ON SHEET C-10)	N/A	N/A	PREPARE PER ENGINEER'S PLANS. PAVED INSTALLATIONS MAY HAVE STRINGENT MATERIAL AND PREPARATION REQUIREMENTS.
FILL MATERIAL FOR 6" TO 18" ELEVATION ABOVE CHAMBERS (24" FOR UNPAVED INSTALLATIONS)	GRANULAR WELL-GRADED SOIL/AGGREGATE MIXTURES, <35% FINES.	3, 357, 4, 467, 5, 56, 57, 6, 67, 68, 7, 78, 8, 89, 9, 10	A-1, A-2, A-3	COMPACT IN 6" LIFTS TO A MINIMUM 95% STANDARD PROCTOR DENSITY. ROLLER GROSS VEHICLE WEIGHT NOT TO EXCEED 12,000 LBS. DYNAMIC FORCE NOT TO EXCEED 20,000 LBS.
EMBEDMENT STONE SURROUNDING TO AN ELEVATION 12" ABOVE & 6" BELOW CHAMBERS	WASHED ANGULAR STONE WITH THE MAJORITY OF PARTICLES BETWEEN 3/4" - 2 INCH	3, 357, 4, 467, 5, 56, 57	N/A	NO COMPACTION REQUIRED
FOUNDATION BELOW CHAMBERS	WASHED ANGULAR STONE WITH THE MAJORITY OF PARTICLES BETWEEN 3/4" - 2 INCH	3, 357, 4, 467, 5, 56, 57	N/A	PLATE COMPACT OR ROLL TO ACHIEVE A 95% STANDARD PROCTOR DENSITY
SUBSURFACE SOIL FILTER	SEE CROSS SECTION	N/A	N/A	

STORMTECH ACCEPTABLE FILL MATERIALS



ADS MANIFOLDS
NOT TO SCALE

NOMINAL CHAMBER SPECIFICATIONS
SIZE (W x H x INSTALLED LENGTH)
CHAMBER STORAGE
MINIMUM INSTALLED STORAGE
WEIGHT

51.0" x 30.0" x 85.4"
45.9 CUBIC FEET
74.9 CUBIC FEET
75 LBS.

PART #	CHAMBER	PIPE SIZE	A	B	C	D
SC740EP12B	SC 740	12 in (300 mm)	14.70 in (373 mm)	7.70 in (196 mm)	N/A	1.20 in (30 mm)
SC740EP24B	SC 740	24 in (600 mm)	18.50 in (470 mm)	9.15 in (232 mm)	N/A	0.10 in (3 mm)

NOTE: ALL DIMENSIONS ARE NOMINAL
ALL STUBS, EXCEPT FOR THE SC740EP24B ARE PLACED AT BOTTOM OF END CAP SUCH THAT THE OUTSIDE DIAMETER OF THE STUB IS FLUSH WITH THE BOTTOM OF THE END CAP. FOR ADDITIONAL INFORMATION CONTACT STORMTECH AT 1-888-892-2694.
* FOR THE SC740EP24B THE 24" STUB LIES BELOW THE BOTTOM OF THE END CAP APPROXIMATELY 1.75". BACKFILL MATERIAL SHOULD BE REMOVED FROM BELOW THE N-12 STUB SO THAT THE FITTING SETS LEVEL.

SC-740 TECHNICAL DETAILS
NOT TO SCALE

- NOTES:
1. ALL DESIGN SPECIFICATIONS FOR STORMTECH CHAMBERS SHALL BE IN ACCORDANCE WITH THE STORMTECH DESIGN MANUAL.
 2. THE INSTALLATION OF STORMTECH CHAMBERS SHALL BE IN ACCORDANCE WITH THE LATEST STORMTECH INSTALLATION INSTRUCTIONS.
 3. THE CONTRACTOR IS ADVISED TO REVIEW AND UNDERSTAND THE INSTALLATION INSTRUCTIONS PRIOR TO BEGINNING SYSTEM INSTALLATION. CALL 1-888-892-2694 OR VISIT WWW.STORMTECH.COM TO RECEIVE A COPY OF THE LATEST STORMTECH INSTALLATION INSTRUCTIONS.

Revision	By	Date	Change
5	SMA	2/12/15	REVISED OWNER/APPLICANT
2	SMA	11/10/14	REVISED PER PEER REVIEW COMMENTS
1	SMA	10/14/14	REVISED PER TOWN COMMENTS

PROJECT NUMBER: 33229.02 ACAD FILE: 33229-DETAILS.DWG SCALE: NTS DATE: AUGUST 4, 2014

Drawing Name:
UNDERGROUND DETENTION SYSTEM DETAILS

Project Name and Location:
PAMELA ROAD EXTENSION
PAMELA ROAD, PORTLAND, MAINE 04101

Prepared For:
GENEVA VENTURES, LLC
190 US Route 1, PMB 161, FALMOUTH, MAINE 04105

STATE OF MAINE
Professional Engineer
Allen
9218
2-12-15

SURVEYING ENGINEERING LAND PLANNING
Northeast Civil Solutions
INCORPORATED
153 US ROUTE 1, SCARBOROUGH, MAINE 04074
tel 207.883.1000 fax 207.883.1001 e-mail info@northeastcivilsolutions.com
800.882.2227

SHEET 12 OF 12

E:\LAND PROJECT\33000\33229_CREST VIEW\PLANSET\33229-DETAILS.DWG