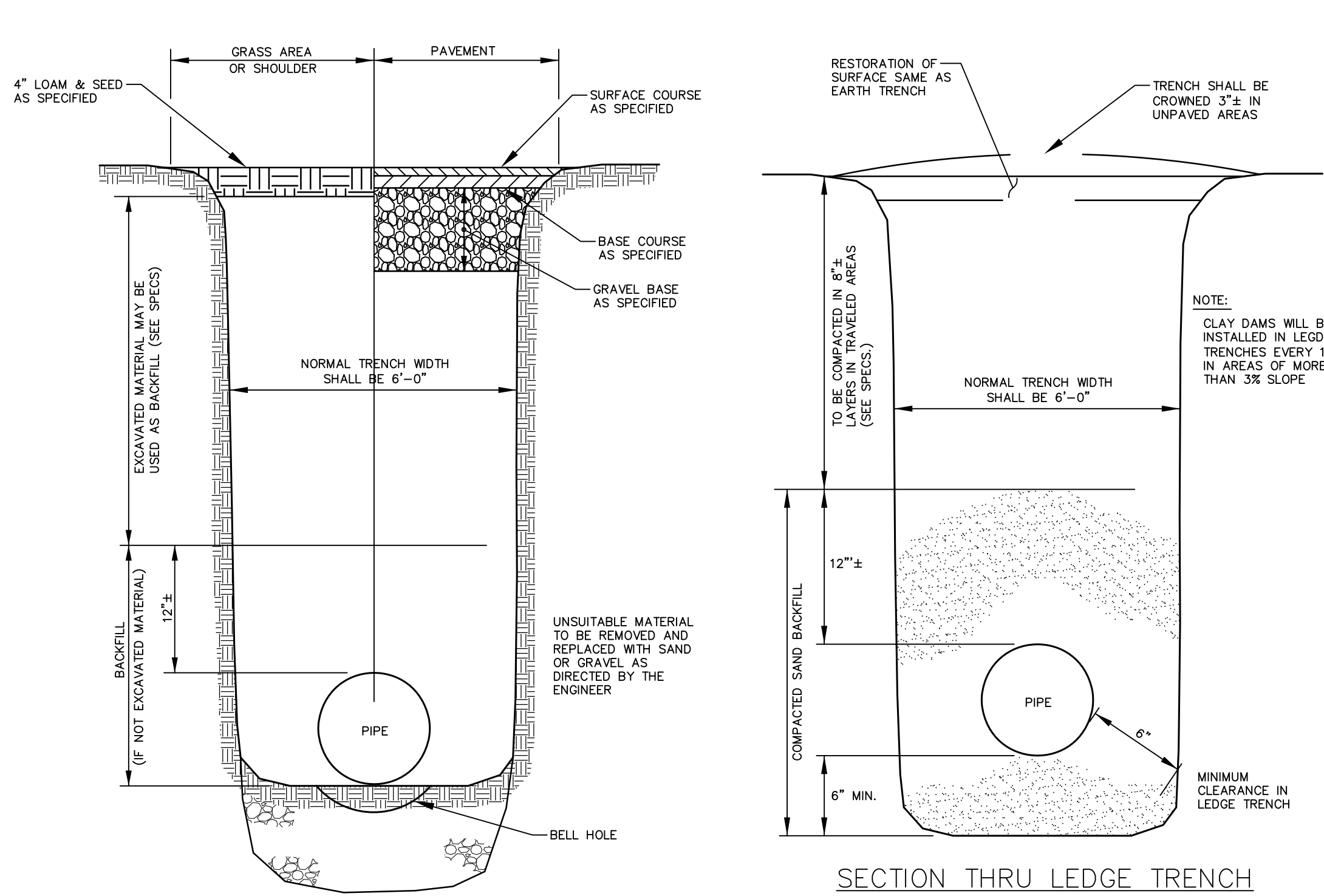


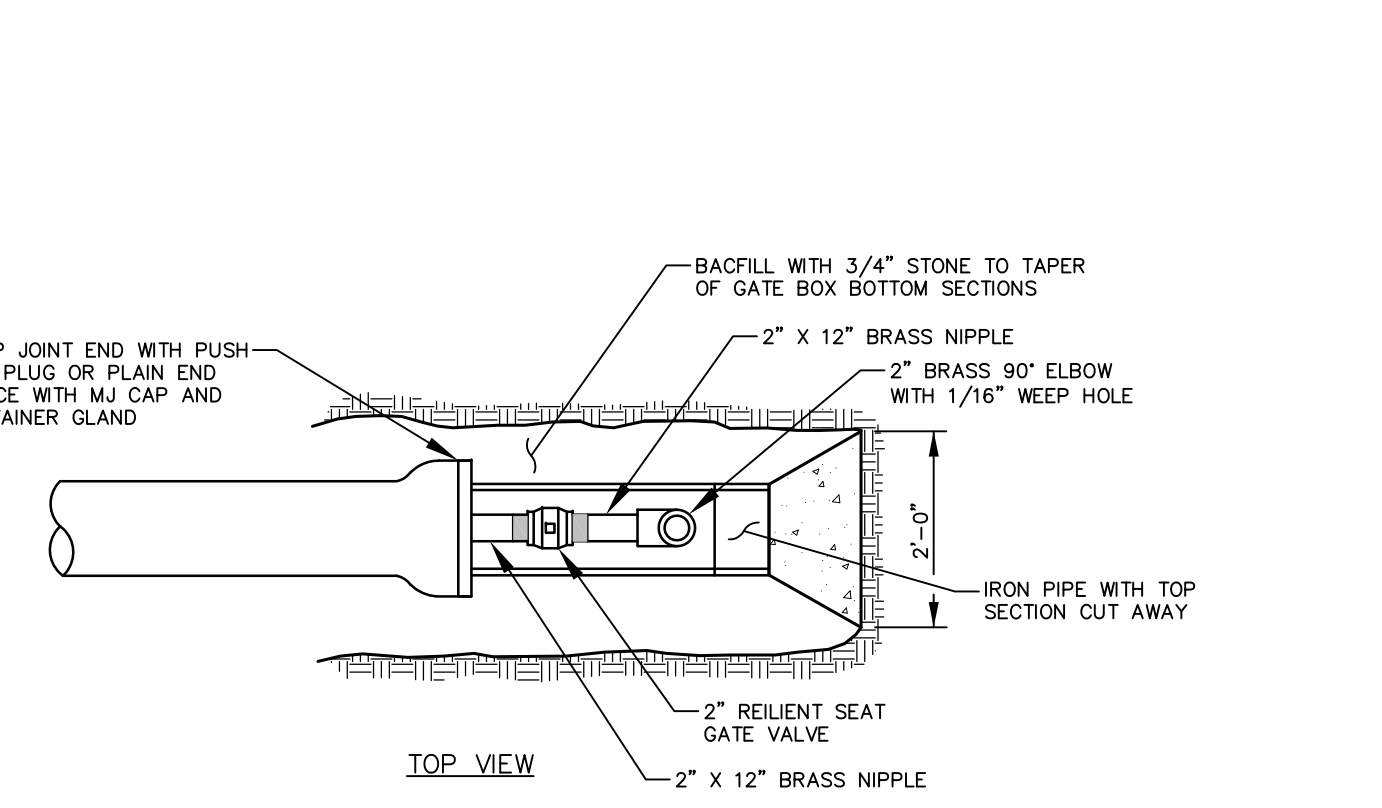
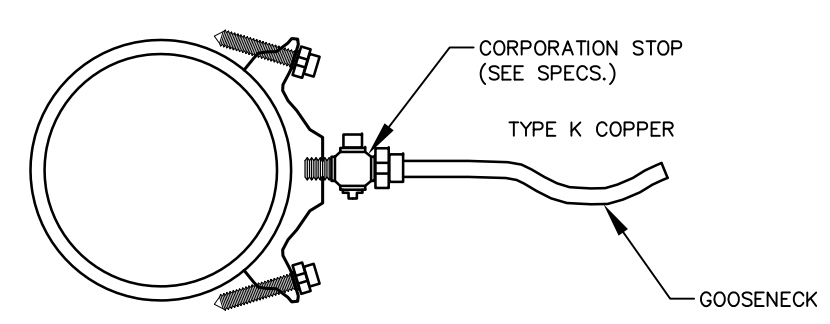
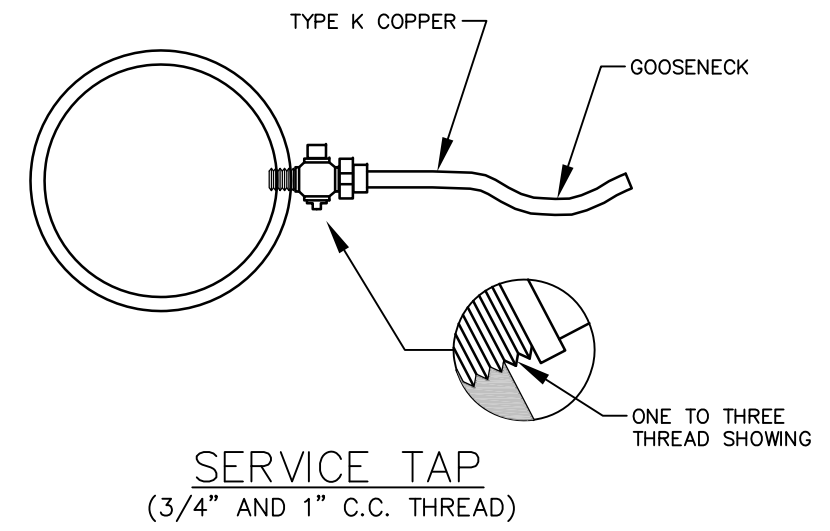
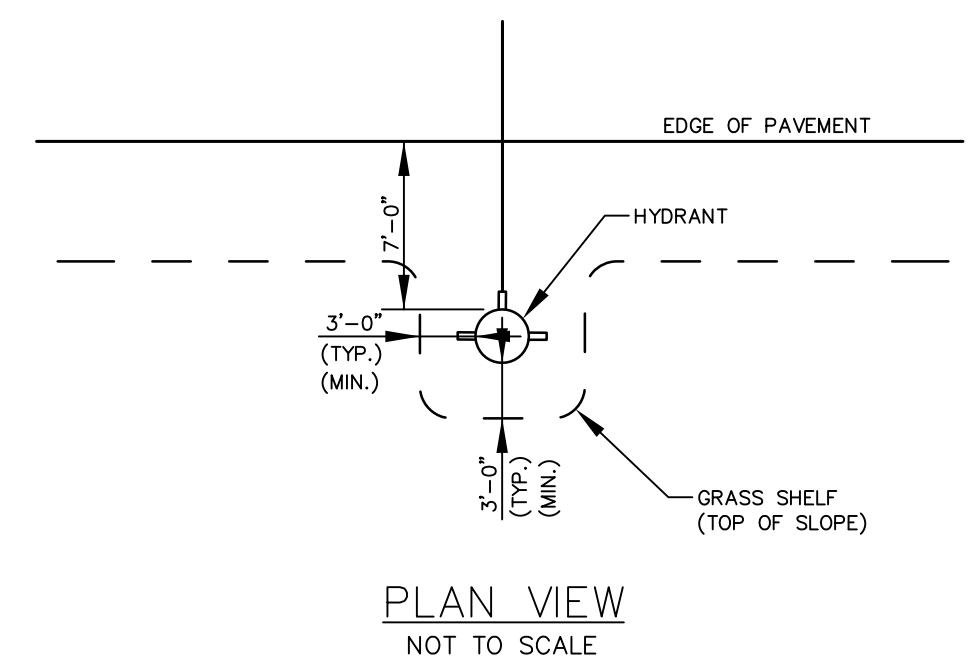
**VALVE BOX & COVER**  
 NOT TO SCALE



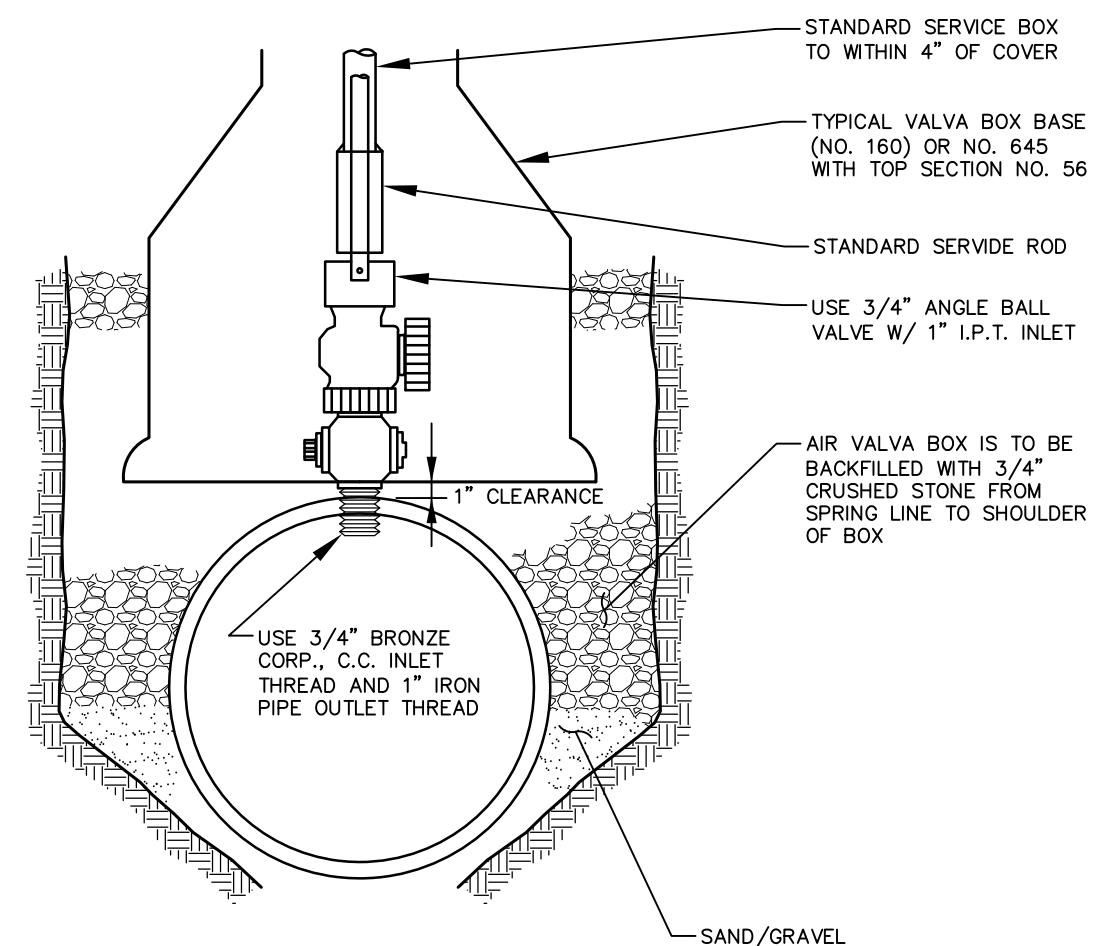
**SECTION THRU EARTH TRENCH**  
 NOT TO SCALE

**SECTION THRU LEDGE TRENCH**  
 NOT TO SCALE

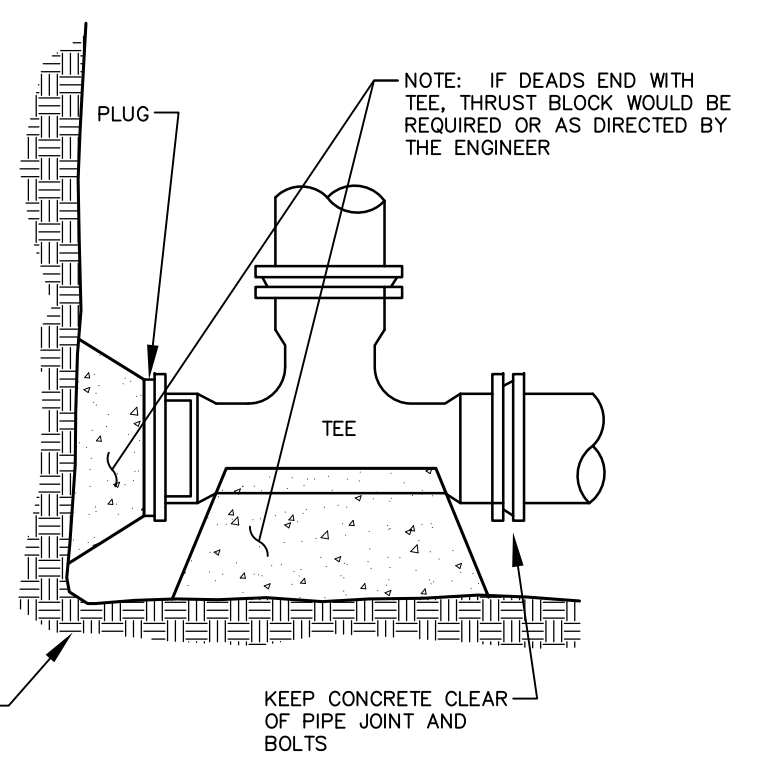
**\* NOTE: \***  
 ALL DUCTILE IRON PIPE AND FITTINGS SHALL BE POLYWRAPPED



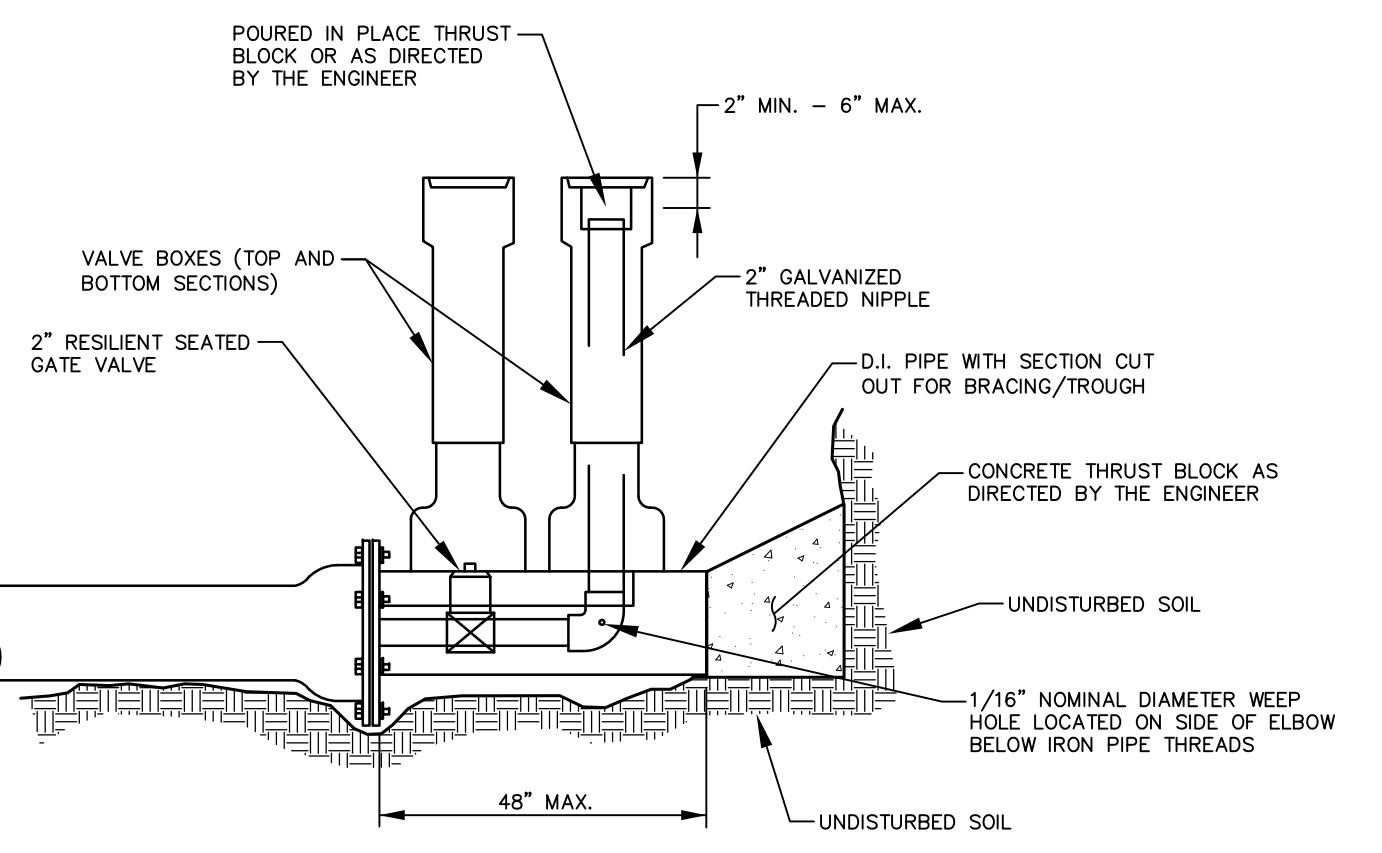
**STANDARD 2" BLOW OFF**  
 NOT TO SCALE



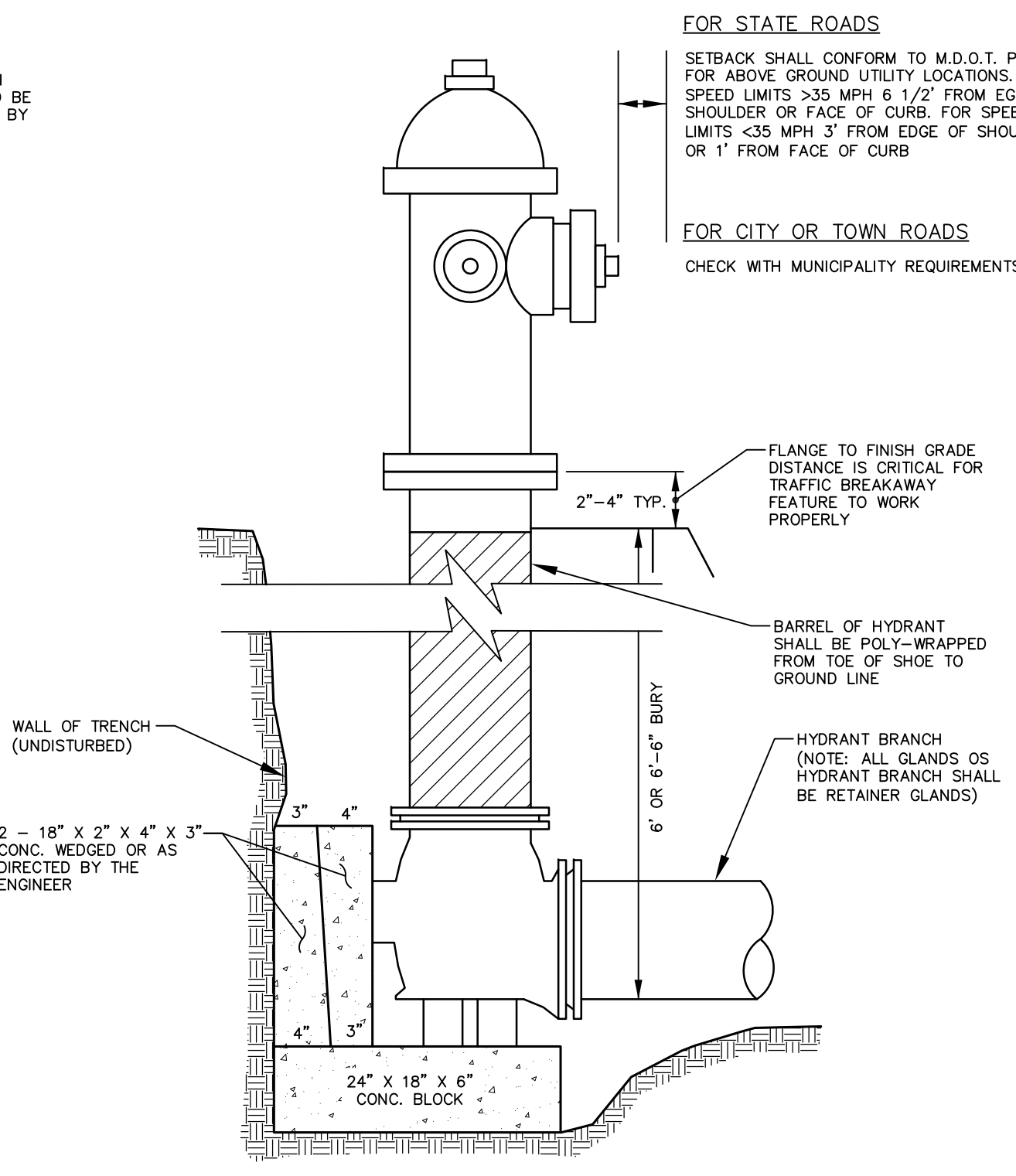
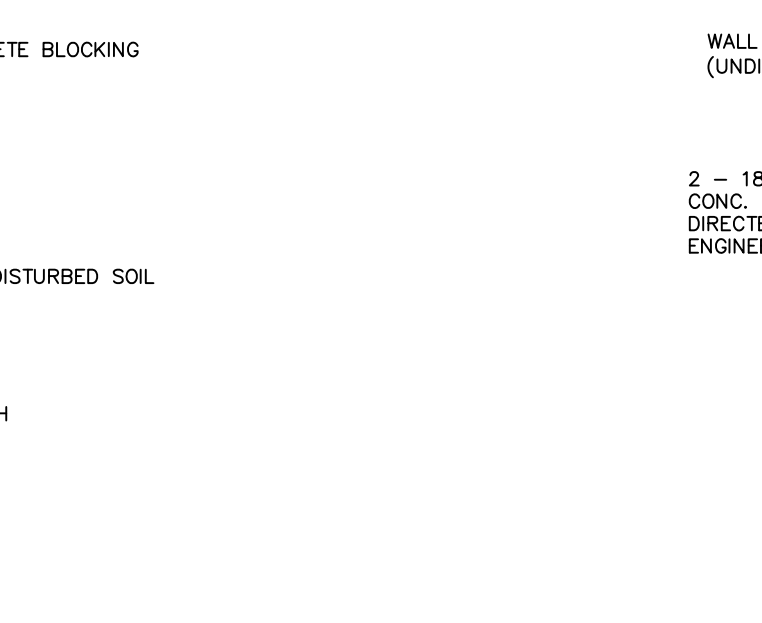
**TYPICAL AIR VALVE (1")**  
 NOT TO SCALE



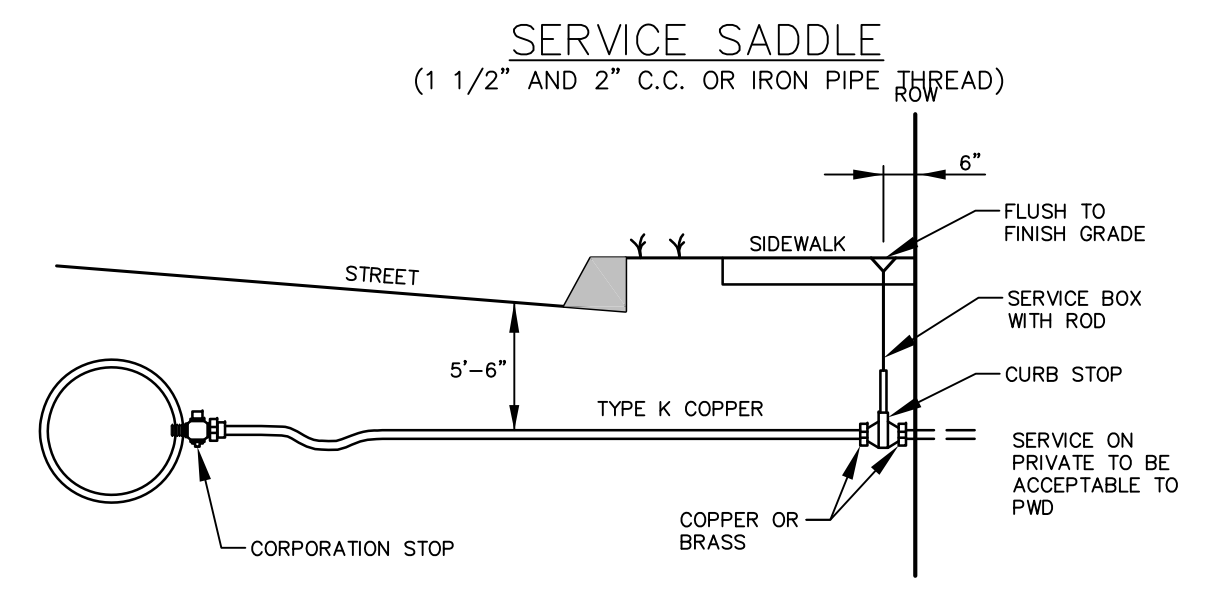
**STANDARD TEE BLOCKING**  
 NOT TO SCALE



**STANDARD BEND BLOCKING**  
 NOT TO SCALE



**TYPICAL HYDRANT INSTALLATION DETAIL**  
 NOT TO SCALE



**TYPICAL SERVICE CONNECTION**  
 NOT TO SCALE

Revision	By	Date	Change
5	SMA	2/12/15	REVISED OWNER/APPLICANT
1	SMA	10/14/14	REVISED PER TOWN COMMENTS

PROJECT NUMBER: 33229.02 ACAD FILE: 33229-DETAILS.DWG SCALE: NTS DATE: AUGUST 4, 2014

Drawing Name:  
**CONSTRUCTION DETAILS - SHEET 3**

Project Name and Location:  
**PAMELA ROAD EXTENSION**  
 PAMELA ROAD, PORTLAND, MAINE 04101

Prepared For:  
**GENEVA VENTURES, LLC**  
 190 US Route 1, PMB 161, FALMOUTH, MAINE 04105

STATE OF MAINE  
 ALLIANCE OF PROFESSIONAL ENGINEERS  
 2-12-15  
 Allen 9218

**Northeast Civil Solutions**  
 INCORPORATED  
 153 US ROUTE 1, SCARBOROUGH, MAINE 04074  
 tel 207.883.1000 fax 207.883.1001 e-mail info@northeastcivilsolutions.com  
 800.882.2227

SHEET 10 OF 12

E:\LAND PROJECT\33000\33229\33229-DETAILS.DWG