



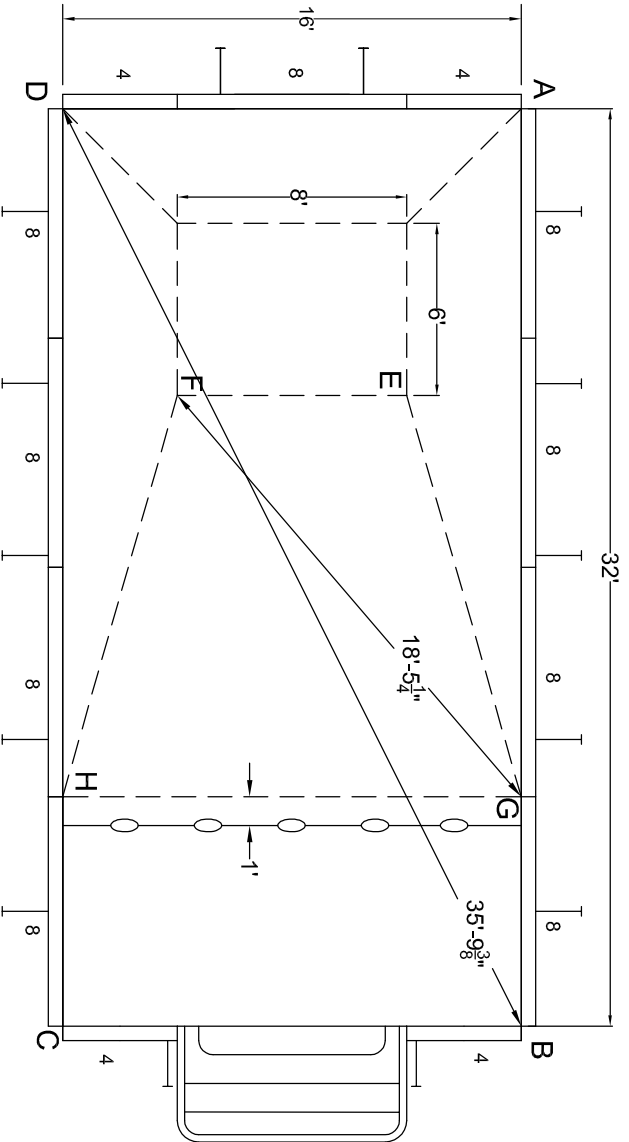
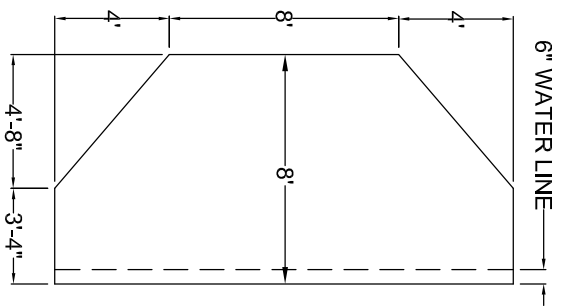
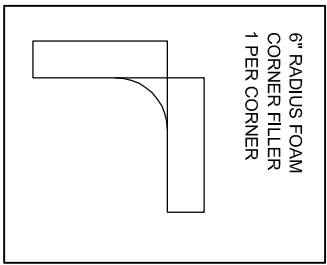
16 X 32 RECTANGLE W/8' HOPPER & 8' STEP

DATE:	01/18/13	PERIMETER:	96'-0"	AREA:	512 sq. ft.	GALLONAGE:	18,392.1 gal.	DEALER:	
THIS POOL IS DESIGNED TO MEET OR EXCEED INDUSTRY RECOMMENDED SAFETY STANDARDS (ANSI/APSP-5 AMERICAN NATIONAL STANDARDS FOR RESIDENTIAL INGROUND SWIMMING POOLS)				CUSTOMER PURCHASE ORDER #	DRAWN BY:	DAVE	CUSTOMER		
				POOL NO.	PRC16X32S8				PAGE 1 OF 4

LEGEND

BACKBRACE (TYP) - H

A - FRAME BRACE (TYP) - I



A	B	C	D	E	F	G	H
32'-0"	35'-9 ³ / ₈ "	16'-0"	16'-0"	10'-9 ¹ / ₄ "	15'-7 ¹ / ₂ "	24'-0"	28'-10 ¹ / ₈ "
B	16'-0"	35'-9 ³ / ₈ "	35'-9 ³ / ₈ "	22'-4 ³ / ₈ "	25'-0 ³ / ₄ "	8'-0"	17'-10 ⁵ / ₈ "
C			32'-0"	25'-0 ³ / ₄ "	22'-4 ³ / ₈ "	17'-10 ⁵ / ₈ "	8'-0"
D				15'-7 ¹ / ₂ "	10'-9 ¹ / ₄ "	28'-10 ¹ / ₈ "	24'-0"
E					8'-0"	14'-6 ³ / ₄ "	18'-5 ¹ / ₄ "
F						18'-5 ¹ / ₄ "	14'-6 ³ / ₄ "
G							16'-0"

ALL DIMENSIONS ARE FINISH DIMENSIONS

