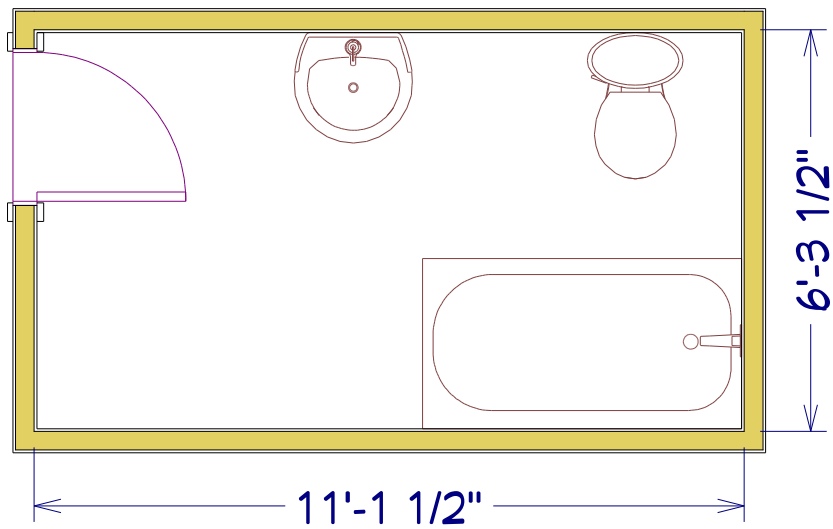


5 PANORAMIC VIEW DRIVE  
389-B-11

AS WAS EXISTING



CHANGES MADE TO EXISTING  
BATH, ADDING 2X4 PARTITION  
WALL TO CREATE NEW 1/2 BATH,  
ADDING NEW SINK AND TOILET

