

City of Portland, Maine - Building or Use Permit Application

389 Congress Street, 04101 Tel: (207) 874-8703, Fax: (207) 874-8716

Permit No: 06-0914	Issue Date: PERMIT ISSUED JUN 30 2006	CBL: B88A 3007001
-----------------------	--	----------------------

Location of Construction: 132 ABBY LN	Owner Name: BECK JOHN W & BONNIE S BEC	Owner Address: 132 ABBY LN	Phone:
Business Name:	Contractor Name: Sebago Lake Pools	Contractor Address: 629 Lower Main St, Gorham, PORTLAND	Phone: 207 856 0000
Lessee/Buyer's Name	Phone:	Permit Type: Swimming Pools	Zone: 22

Past Use: Single Family Home	Proposed Use: Single Family Home/ install a 16' x 32' inground pool	Permit Fee: \$219.00	Cost of Work: \$21,145.00	CEO District: 5
---------------------------------	--	-------------------------	------------------------------	--------------------

Proposed Project Description: install a 16' x 32' inground pool	FIRE DEPT: <input type="checkbox"/> Approved <input type="checkbox"/> Denied	INSPECTION: Use Group: 200/ Type: 6/30/06 Signature: <i>[Signature]</i>
	Signature: _____	

PEDESTRIAN ACTIVITIES DISTRICT (P.A.D.)		
Action: <input type="checkbox"/> Approved <input type="checkbox"/> Approved w/Conditions <input type="checkbox"/> Denied		
Signature: _____	Date: _____	

Permit Taken By: Idobson	Date Applied For: 06/22/2006	Zoning Approval	
-----------------------------	---------------------------------	------------------------	--

1. This permit application does not preclude the Applicant(s) from meeting applicable State and Federal Rules. 2. Building permits do not include plumbing, septic or electrical work. 3. Building permits are void if work is not started within six (6) months of the date of issuance. False information may invalidate a building permit and stop all work..	Special Zone or Reviews <input type="checkbox"/> Shoreland <input type="checkbox"/> Wetland <input type="checkbox"/> Flood Zone <input type="checkbox"/> Subdivision <input type="checkbox"/> Site Plan Maj <input type="checkbox"/> Minor <input type="checkbox"/> MM <input type="checkbox"/> Date: 6/30/06	Zoning Appeal <input type="checkbox"/> Variance <input type="checkbox"/> Miscellaneous <input type="checkbox"/> Conditional Use <input type="checkbox"/> Interpretation <input type="checkbox"/> Approved <input type="checkbox"/> Denied Date: _____	Historic Preservation <input checked="" type="checkbox"/> Not in District or Landmark <input type="checkbox"/> Does Not Require Review <input type="checkbox"/> Requires Review <input type="checkbox"/> Approved <input type="checkbox"/> Approved w/Conditions <input type="checkbox"/> Denied Date: _____
	<i>OK 432 19 [Signature]</i>		

CERTIFICATION

I hereby certify that I am the owner of record of the named property, or that the proposed work is authorized by the owner of record and that I have been authorized by the owner to make this application as his authorized agent and I agree to conform to all applicable laws of this jurisdiction. In addition, if a permit for work described in the application is issued, I certify that the code official's authorized representative shall have the authority to enter all areas covered by such permit at any reasonable hour to enforce the provision of the code(s) applicable to such permit.

SIGNATURE OF APPLICANT	ADDRESS	DATE	PHONE
------------------------	---------	------	-------

RESPONSIBLE PERSON IN CHARGE OF WORK, TITLE	DATE	PHONE
---	------	-------

DISPLAY THIS CARD ON PRINCIPAL FRONTAGE OF WORK

CITY OF PORTLAND

BUILDING INSPECTION

PERMIT ISSUED

Permit Number: 060914

JUN 30 2006

CITY OF PORTLAND

Please Read Application And Notes, If Any, Attached

This is to certify that BECK JOHN W & BONNIE BECK JTS/Sebago Lake Po has permission to install a 16' x 32' inground AT 132 ABBY LN L 388A B007001

provided that the person or persons who accept this permit shall comply with all of the provisions of the Statutes of Maine and of the Ordinances of the City of Portland regulating the construction, maintenance and use of buildings and structures, and of the application on file in this department.

Apply to Public Works for street line and grade if nature of work requires such information.

A certificate of inspection must be obtained and when permission is granted before this building or part thereof is occupied or services closed-in. OUR NOTES ARE REQUIRED

A certificate of occupancy must be procured by owner before this building or part thereof is occupied.

OTHER REQUIRED APPROVALS

- Fire Dept.
Health Dept.
Appeal Board
Other Department Name

Handwritten signature and title: Director - Building & Inspection Services

PENALTY FOR REMOVING THIS CARD

pool side of the fence. Spacing between vertical members shall not exceed 1.75 inches (44 mm) in width. Where there are decorative cutouts within vertical members, spacing within the cutouts shall not exceed 1.75 inches (44 mm) in width.

5. Where the barrier is composed of horizontal and vertical members and the distance between the tops of the horizontal members is 45 inches (1143 mm) or more, spacing between vertical members shall not exceed 4 inches (102 mm). Where there are decorative cutouts within vertical members, spacing within the cutouts shall not exceed 1.75 inches (44 mm) in width.
6. Maximum mesh size for chain link fences shall be a 2.25-inch (57 mm) square unless the fence is provided with slats fastened at the top or the bottom which reduce the openings to not more than 1.75 inches (44 mm).
7. Where the barrier is composed of diagonal members, such as a lattice fence, the maximum opening formed by the diagonal members shall not be more than 1.75 inches (44 mm).
8. Access gates shall comply with the requirements of Section AG105.2, Items 1 through 7, and shall be equipped to accommodate a locking device. Pedestrian access gates shall open outward away from the pool and shall be self-closing and have a self-latching device. Gates other than pedestrian access gates shall have a self-latching device. Where the release mechanism of the self-latching device is located less than 54 inches (1372 mm) from the bottom of the gate, the release mechanism and openings shall comply with the following:
 - 8.1. The release mechanism shall be located on the pool side of the gate at least 3 inches (76 mm) below the top of the gate, and
 - 8.2. The gate and barrier shall have no opening greater than 0.5 inch (12.7 mm) within 18 inches (457 mm) of the release mechanism.
9. Where a wall of a dwelling serves as part of the barrier one of the following conditions shall be met:
 - 9.1. The pool shall be equipped with a powered safety cover in compliance with ASTM F1346; or
 - 9.2. All doors with direct access to the pool through that wall shall be equipped with an alarm which produces an audible warning when the door and its screen, if present, are opened. The alarm shall sound continuously for a minimum of 30 seconds immediately after the door is opened and be capable of being heard throughout the house during normal house-hold activities. The alarm shall automatically reset under all conditions. The alarm system shall be equipped with a manual means, such as touchpad or switch, to temporarily deactivate the alarm for a single opening. Such deactivation shall last for not more than 15 seconds. The deactivation switch(es) shall be located at least 54 inches (1372 mm) above the threshold of the door; or
 - 9.3. Other means of protection, such as self-closing doors with self-latching devices, which are ap-

proved by the governing body, shall be acceptable so long as the degree of protection afforded is not less than the protection afforded by Items 9.1 or 9.2 described above.

10. Where an aboveground pool structure is used as a barrier or where the barrier is mounted on top of the pool structure, and the means of access is a ladder or steps, the following shall apply:
 - 10.1. The ladder or steps shall be capable of being secured, locked or removed to prevent access.
 - 10.2. The ladder or steps shall be surrounded by a barrier which meets the requirements of Section AG105.2, Items 1 through 9. When the ladder or steps are secured, locked or removed, an opening created shall not allow the passage of a 4-inch-diameter (102 mm) sphere.

AG105.3 Indoor swimming pool. All walls surrounding an indoor swimming pool shall comply with Section AG105.2, Item 9.

AG105.4 Prohibited locations. Barriers shall be located so as to prohibit permanent structures, equipment or similar objects from being used to climb the barriers.

AG105.5 Barrier exceptions. Spas or hot tubs with a safety cover which complies with ASTM F 1346, as listed in Section AG107, shall be exempt from the provisions of this appendix.

SECTION AG106 ENTRAPMENT PROTECTION FOR SWIMMING POOL AND SPA SUCTION OUTLETS

AG106.1 General. Suction outlets shall be designed to produce circulation throughout the pool or spa. Single outlet systems, such as automatic vacuum cleaner systems, or other systems with multiple suction outlets whether isolated by valves or otherwise shall be protected against user entrapment.

AG106.2 Suction fittings. All Pool and Spa suction outlets shall be provided with a cover that conforms with ANSI/ASME A112.19.8M, or a 12" × 12" drain grate or larger, or an approved channel drain system.

Exception: Surface skimmers

AG106.3 Atmospheric vacuum relief system required. Single or multiple outlet circulation systems shall be equipped with atmospheric vacuum relief should vacuum relief systems shall include at least one approved or engineered method of the type specified herein, as follows:

1. Safety vacuum release system conforming to ASME A112.19.17, or
2. An approved gravity drainage system

AG106.4 Dual drain separation. Single or multiple pump circulation systems shall be provided with a minimum of two suction outlets of the approved type. A minimum horizontal distance of three (3) feet shall separate such outlets. These suction outlets shall be piped so that water is drawn through them simultaneously through a vacuum relief-protected line to the pump or pumps.

7/18/06 Det back, pool location - w/ John B.

OK to setbacks - discussed gate assembly that he installed - not to code - he will change - did not check alarm at screen door (no batteries)

7/27/06 Checked Electrical installation & bonding to pool, patio grid & ladders -- No lights

OK to pour. Right side yard gate meets code & Alarm on back door.

Still need final grading @ Fence and

left side was missing several sections of fence.

JMB

Pool Installation/Construction Permit Application



If you or the property owner owes real estate or personal property taxes or user charges on any property within the City, payment arrangements must be made before permits of any kind are accepted.

Location/Address of Construction: 132 Abby La.		Total Square Footage of Proposed Structure: 412'		Square Footage of Lot: 19000	
Tax Assessor's Chart, Block & Lot: 388A 8-7 13		Owner: John W Beck Bonnie S Beck		Telephone: 7973577	
Lessee/Buyer's Name (If Applicable):		Applicant name, address & telephone: John + Bonnie Beck 132 Abby La 7973577		Cost Of Work: \$ 21,115 Fee: \$ 219.00	
Dimensions of pool: 16' X 32'		above or below ground: below ground		Dimensions of decking and/or any platforms, sheds, or other structures:	
Contractor's name, address & telephone: Sebago Lake Pools 629 Lower Main St Gorham Me. 856-1005		Who should we contact when the permit is ready: John W Beck Phone: 7973577 Mailing address: 132 Abby La Portland Me 04103			

Please submit all of the information outlined in the pool application checklist. Failure to do so could result in the automatic denial of your permit.

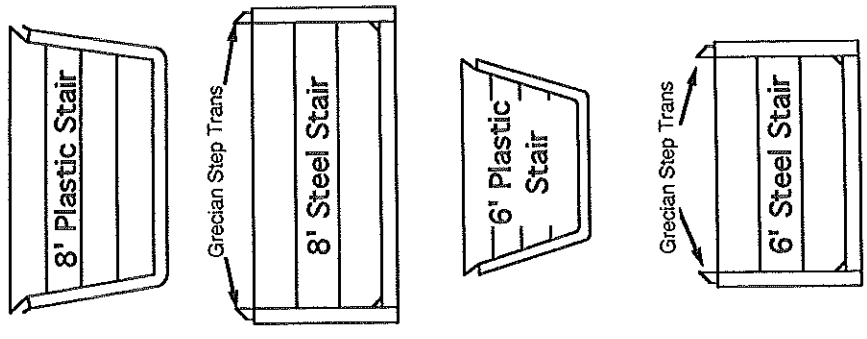
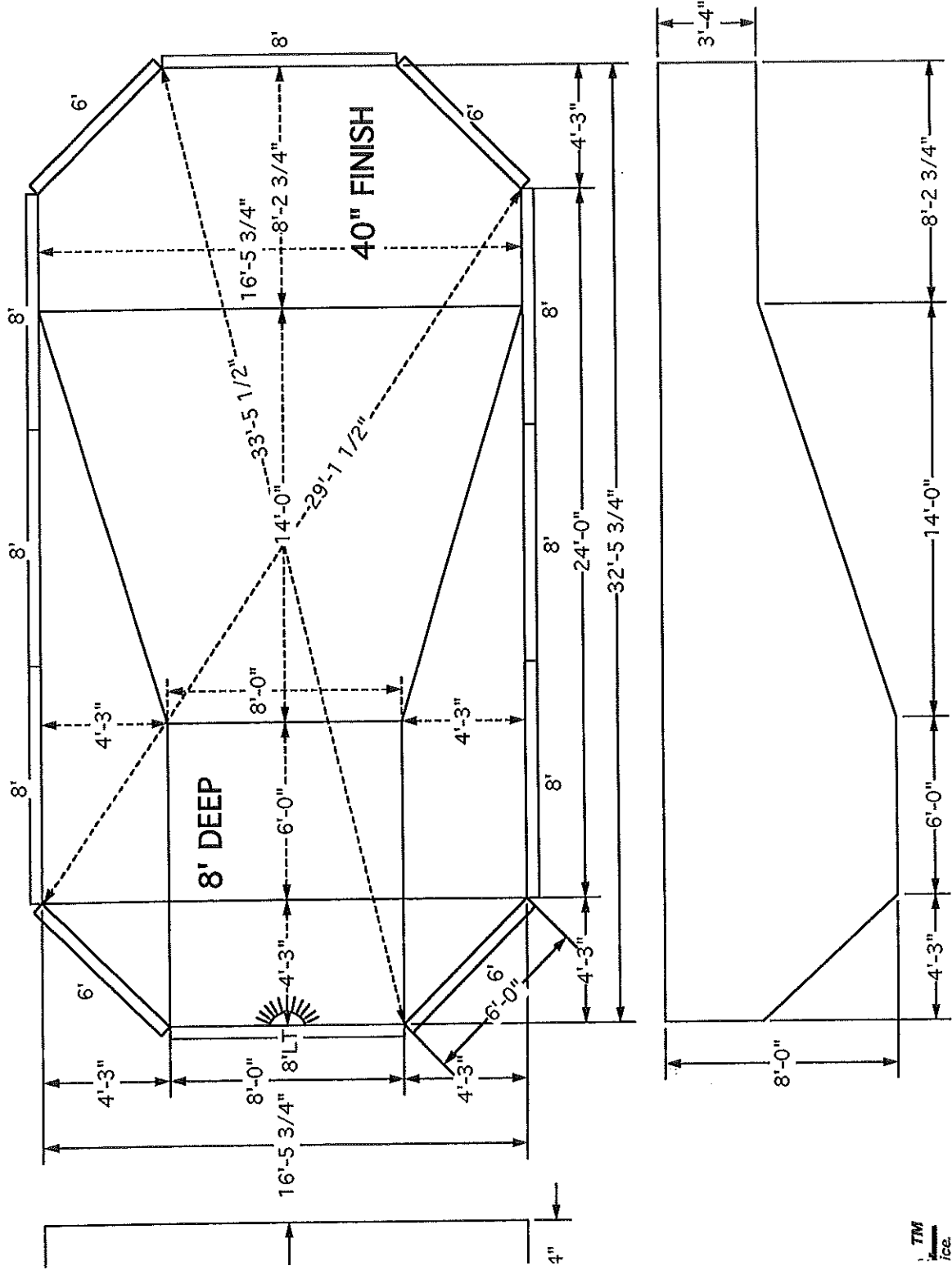
In order to be sure the City fully understands the full scope of the project, the Planning and Development Department may request additional information prior to the issuance of a permit. For further information visit us on-line at www.portlandmaine.gov, stop by the Building Inspections office, room 315 City Hall or call 874-8703.

I hereby certify that I am the Owner of record of the named property, or that the owner of record authorizes the proposed work and that I have been authorized by the owner to make this application as his/her authorized agent. I agree to conform to all applicable laws of this jurisdiction. In addition, if a permit for work described in this application is issued, I certify that the Code Official's authorized representative shall have the authority to enter all areas covered by this permit at any reasonable hour to enforce the provisions of the codes applicable to this permit.

Signature of applicant: <i>John W Beck</i>	Date: 6/21/06
--	---------------

This is not a permit; you may not commence ANY work until the permit is issued.

Grecian 16' x 32'



File Name: GRECIAN16x32
 Area: 536 sq. ft.
 Perimeter: 88'
 Date: January 2006



WHITE - Applicant's Copy
YELLOW - Office Copy
PINK - Permit Copy

No work is to be started until PERMIT CARD is actually posted upon the premises. Acceptance of fee is no guarantee that permit will be granted. PRESERVE THIS RECEIPT. In case permit cannot be granted the amount of the fee will be refunded upon return of the receipt less \$10.00 or 10% whichever is greater.

THIS IS NOT A PERMIT

Check #: _____ Total Collected \$ 219.00

CBL: 2157

Other: Pool

Building (11) _____ Plumbing (15) _____ Electrical (12) _____ Site Plan (U2) _____

Permit Fee \$ 219.00

Cost of Construction \$ _____

Location of Work 125 Hilly Lane

Received from John Paul

6-22-06

CITY OF PORTLAND, MAINE
Department of Building Inspections



WARRANTY DEED
(Maine Statutory Short Form)
(Joint Tenants)

KNOW ALL PERSONS BY THESE PRESENTS, that We, Robert G. Fraser and Margaret M. Fraser, of Westbrook, County of Cumberland, and State of Maine, for consideration paid, **grant to John W. Beck and Bonnie S. Beck**, of Westbrook, County of Cumberland, State of Maine, whose mailing address is 45 Arlington Avenue, Westbrook, Maine 04092, as **Joint Tenants with rights of survivorship with WARRANTY COVENANTS**, the land with buildings thereon, in Portland, County of Cumberland, State of Maine, described as follows:

A certain lot or parcel of land together with the buildings thereon situated in said Portland and being lot No. 13 Abby Lane, Valley View Heights, as delineated on a plan made for Philip E. Hamlin by H. I. and E. C. Jordan, dated March 10, 1960, recorded in Cumberland County Registry of Deeds in Plan Book 59, Page 22, to which plan and the record thereof reference is made for a more particular description.

Also another certain lot or parcel of land situated in said Portland, bounded and described as follows: Beginning at the most northerly corner of Lot No. 13 as shown on aforesaid plan; thence running northwesterly by Gass Drive 25 feet to a point; thence running southeasterly parallel with the northeasterly side line of said lot No. 13, 100 feet to a point, thence running southwesterly 25 feet to the most easterly corner of lot No. 13; thence running northwesterly by the northeasterly side line of lot No. 13, 100 feet to the point of beginning, being a strip of land 25 feet in width adjoining and northwesterly of said lot No. 13.

Meaning and intending to convey the same premises described in deed of C.H. Hanson & Company, Inc., dated August 14, 1967 and recorded in the Cumberland County Registry of Deeds in Book 3007, Page 368.

Witness our hands and seals this 20th day of January, 2006.

Witness

Robert G. Fraser

Witness

Margaret M. Fraser

STATE OF MAINE
COUNTY OF CUMBERLAND, SS.

January 20, 2006

Then personally appeared before me the above-named Robert G. Fraser and Margaret M. Fraser and acknowledged the foregoing instrument to be their free act and deed

Before me,

Notary Public/ Attorney at Law

City of Portland, Maine - Building or Use Permit

389 Congress Street, 04101 Tel: (207) 874-8703, Fax: (207) 874-8716

Permit No: 06-0914	Date Applied For: 06/22/2006	CBL: 388A B007001
-----------------------	---------------------------------	----------------------

Location of Construction: 132 ABBY LN	Owner Name: BECK JOHN W & BONNIE S BEC	Owner Address: 132 ABBY LN	Phone:
Business Name:	Contractor Name: Sebago Lake Pools	Contractor Address: 629 Lower Main St. Gorham	Phone (207) 856-1000
Lessee/Buyer's Name	Phone:	Permit Type: Swimming Pools	

Proposed Use: Single Family Home/ install a 16' x 32' inground pool	Proposed Project Description: install a 16' x 32' inground pool
--	--

Dept: Zoning Status: Approved with Conditions Reviewer: Mike Nugent Approval Date: 06/30/2006
 Note: Ok to Issue:
 1) Must comply with Section 14-432 of the Zoning Reg.

Dept: Building Status: Approved with Conditions Reviewer: Mike Nugent Approval Date: 06/30/2006
 Note: Ok to Issue:

- 1) The applicant advises that there is one door from the fhouse into the pool area. This will be alarmed.
This alarm must comply with Section AG105.2.9(2)
- 2) Applicant advises that the entire yard is being surrounded with a 6' stockade fence. The 6' gate on the right side has no latch on the "public" side.

This gate must be self closing

Comments:

6/30/2006-mjn: Called owner/Left message and need info regarding gate acces/latch etc, as well as protection fo the back door.

ELECTRICAL PERMIT

City of Portland, Me.



To the Chief Electrical Inspector, Portland Maine:
 The undersigned hereby applies for a permit to make electrical installations
 in accordance with the laws of Maine, the City of Portland Electrical Ordinance,
 National Electrical Code and the following specifications:

Date 7-17-06
 Permit # 06-4631
 CBL# 388A B007

LOCATION: 132 Abby Ln. METER MAKE & # _____
 CMP ACCOUNT # _____ OWNER _____
 TENANT Bonny Beck PHONE # _____

OUTLETS	Receptacles	Switches	Smoke Detector	TOTAL EACH FEE
				.20
FIXTURES	Incandescent	Fluorescent	Strips	.20
SERVICES	Overhead	Underground	TTL AMPS <800	15.00
	Overhead	Underground	>800	25.00
Temporary Service	Overhead	Underground	TTL AMPS	25.00
METERS	(number of)			25.00
MOTORS	(number of)			1.00
RESID/COM	Electric units			2.00
HEATING	oil/gas units	Interior	Exterior	1.00
APPLIANCES	Ranges	Cook Tops	Wall Ovens	5.00
	Insta-Hot	Water heaters	Fans	2.00
	Dryers	Disposals	Dishwasher	2.00
	Compactors	Spa	Washing Machine	2.00
	Others (denote)			2.00
MISC. (number of)	Air Cond/win			3.00
	Air Cond/cent			3.00
	HVAC	EMS	Thermostat	5.00
	Signs			10.00
	Alarms/res			5.00
	Alarms/com			15.00
	Heavy Duty(CRKT)			2.00
	Circus/Carnv			25.00
	Alterations			5.00
	Fire Repairs			15.00
	E Lights			1.00
	E Generators			20.00
PANELS	Service	Remote	Main	4.00
TRANSFORMER	0-25 Kva			5.00
	25-200 Kva			8.00
	Over 200 Kva			10.00
			TOTAL AMOUNT DUE	
	MINIMUM FEE/COMMERCIAL 45.00		MINIMUM FEE	35.00

DEPT. OF BUILDING INSPECTION
 CITY OF PORTLAND, ME
 JUL 17 2006
 RECEIVED

45.00

CONTRACTORS NAME JRC Electrical MASTER LIC. # _____
 ADDRESS 595 Giver Rd LIMITED LIC. # 50016955
 TELEPHONE 671-9074

SIGNATURE OF CONTRACTOR [Signature] # 3443