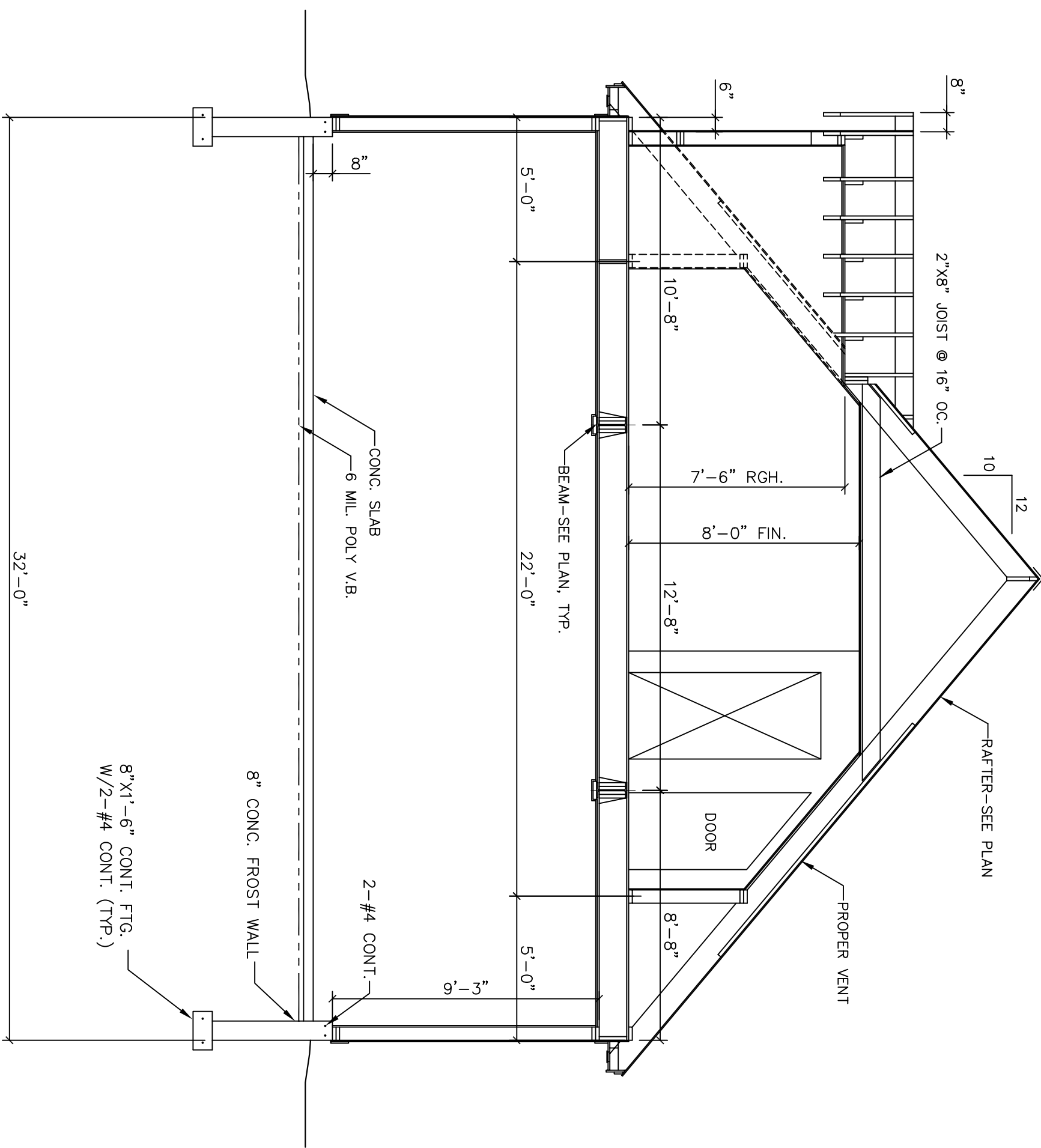
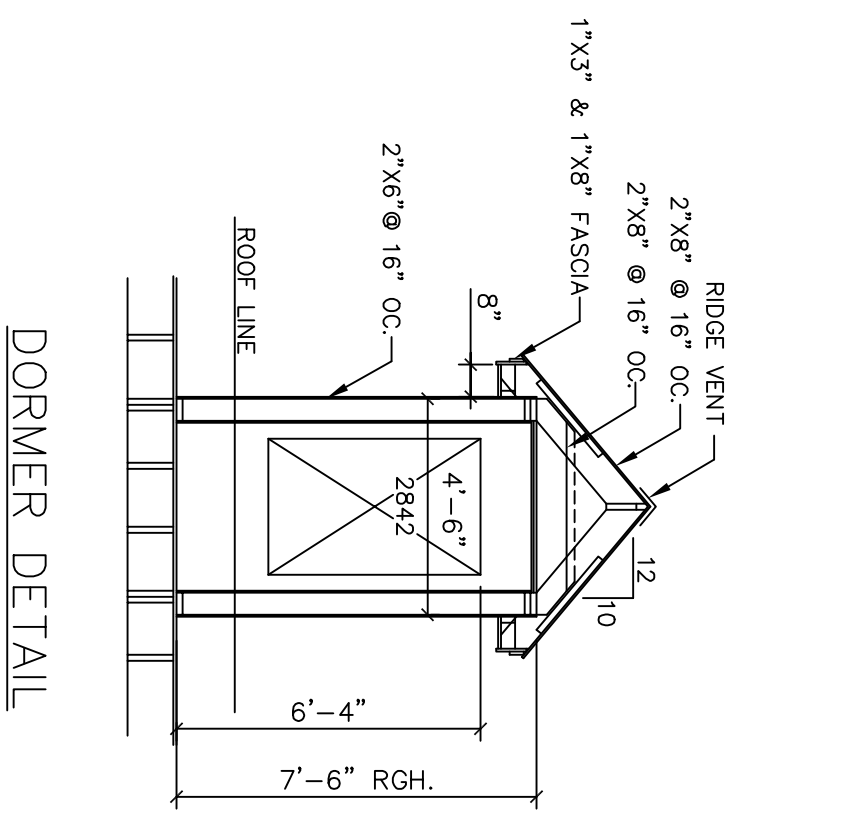


ALL DRAWINGS, PLANS, SPECIFICATIONS, ETC. ARE PROVIDED TO OUR CLIENTS BASED UPON THE INFORMATION PROVIDED TO US BY OUR CLIENTS AND ARE NOT TO BE USED FOR ANY OTHER PROJECTS WITHOUT THE WRITTEN CONSENT OF MORIN DRAFTING. MORIN DRAFTING IS NOT RESPONSIBLE FOR ANY ERRORS OR OMISSIONS IN THESE DRAWINGS. MORIN DRAFTING SHALL BE HELD HARMLESS IN ALL EVENTS FOR CONSTRUCTION DEFECTS, CHANGES AND/OR REVISIONS TO PLANS.



SECTION @ GARAGE
SCALE: 1/4"=1'-0"

STANDARD MATERIAL LIST (UNLESS OTHERWISE NOTED)

FLOOR (WOOD FRAMED) - 2x10 SIPS
 SHEATHING 5/8" ADVANTIX (GLUED AND SCREWED OR NAILD)
 UNDERLAMENT AS NOTED, SABLE WITH FINISH FLOOR MANUF.
 INSULATION - SEE SPECIFICATIONS
 WALLS -
 STUDS: 2x6 @ 16" OC.
 SHEATHING: 5/8" ADVANTIX 2P SYSTEM
 AIR BARRIER: TYPICAL EQUIVALENT, NOT REDD W/2P SYSTEM
 INSULATION: SEE SPECIFICATIONS
 FINISH: JAMES HARDIE-HARDISHIPSHALE
 MAJOR BARRIER: 6 MIL. POLY
 FINISH (GARDEN): 5/8" TYPE "X" GYPSUM BOARD PER CODE
 INSULATION WALLS & CEILING 2" FRANK
 CEILING -
 JOISTS - SEE FRAMING PLAN
 FINISH: 1/2" GYPSUM BOARD
 INSULATION: SEE SPECIFICATIONS
 MAJOR BARRIER: 6 MIL. POLY (EXTERIOR EXPOSURE ONLY)
 INSULATION: SEE INSULATION
 ROOF -
 ROOF joists OR TRUSSES - SEE FRAMING PLAN
 20 YEAR ASPHALT SHINGLES
 INSULATION: SEE SPECIFICATIONS
 AIR BARRIER: TYPICAL EQUIVALENT, NOT REDD W/2P SYSTEM
 STEEPED METAL FLASHING @ ALL CHIMNEYS
 ALL CHIMNEYS
 ALL ROOFS SHALL HAVE PROPER VENTILATION WITH PROPER VENTS, RIDGE VENTS AND SPLIT VENTS.
 SPLIT/2WAKE TRAP -
 FLASHING: 1"x4" & 1"x8"
 SPLIT: 1"x STOCK
 FREEZE BOARD: 1"x 6"
 INSULATION WITH INTERNAL BUILDING CODE 2003, ENERGY CONSERVATION, CHAPTER 11
 LOCATION: CAMDEN AND COUNTY, ME
 MINIMUM INSULATION R-VALUES: (COMPLY WITH CHAPTER REQUIREMENTS FOR USING VALUES BELOW)
 CEILING: R-49
 FLOORS: R-21
 EXTERIOR WALLS: R-11
 ROOF: R-30
 CRAWL SPACE: R-20

56 QUIET LANE
 PORTLAND, MAINE

MORIN DRAFTING GORHAM, ME: 893-2462
 LEGERE RESIDENCE

SECTION

DRAWN: J. MORIN
 SCALE: 1/4"=1'-0"
 DATE: 09-20-09
 PLAN NO: A9