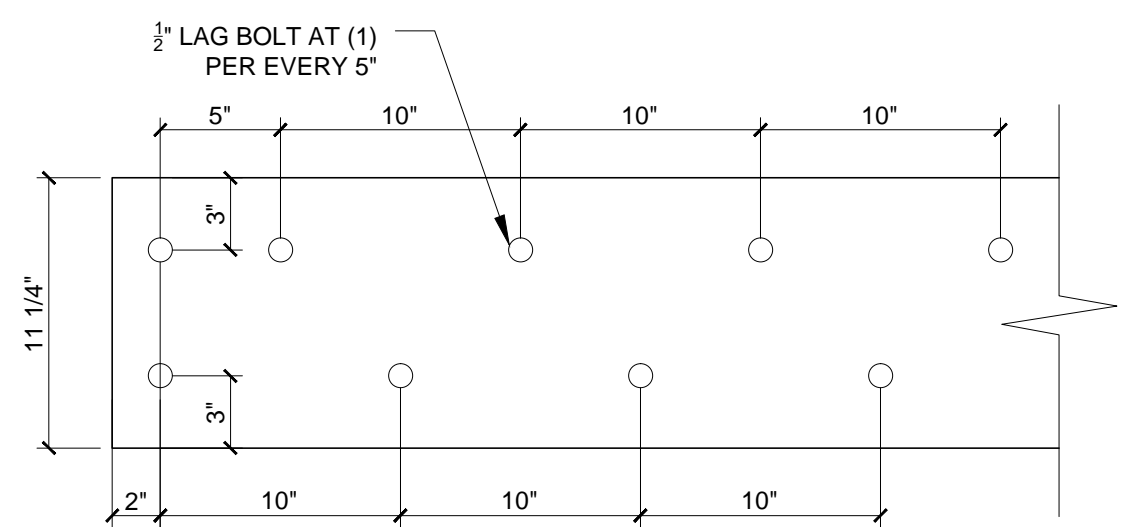
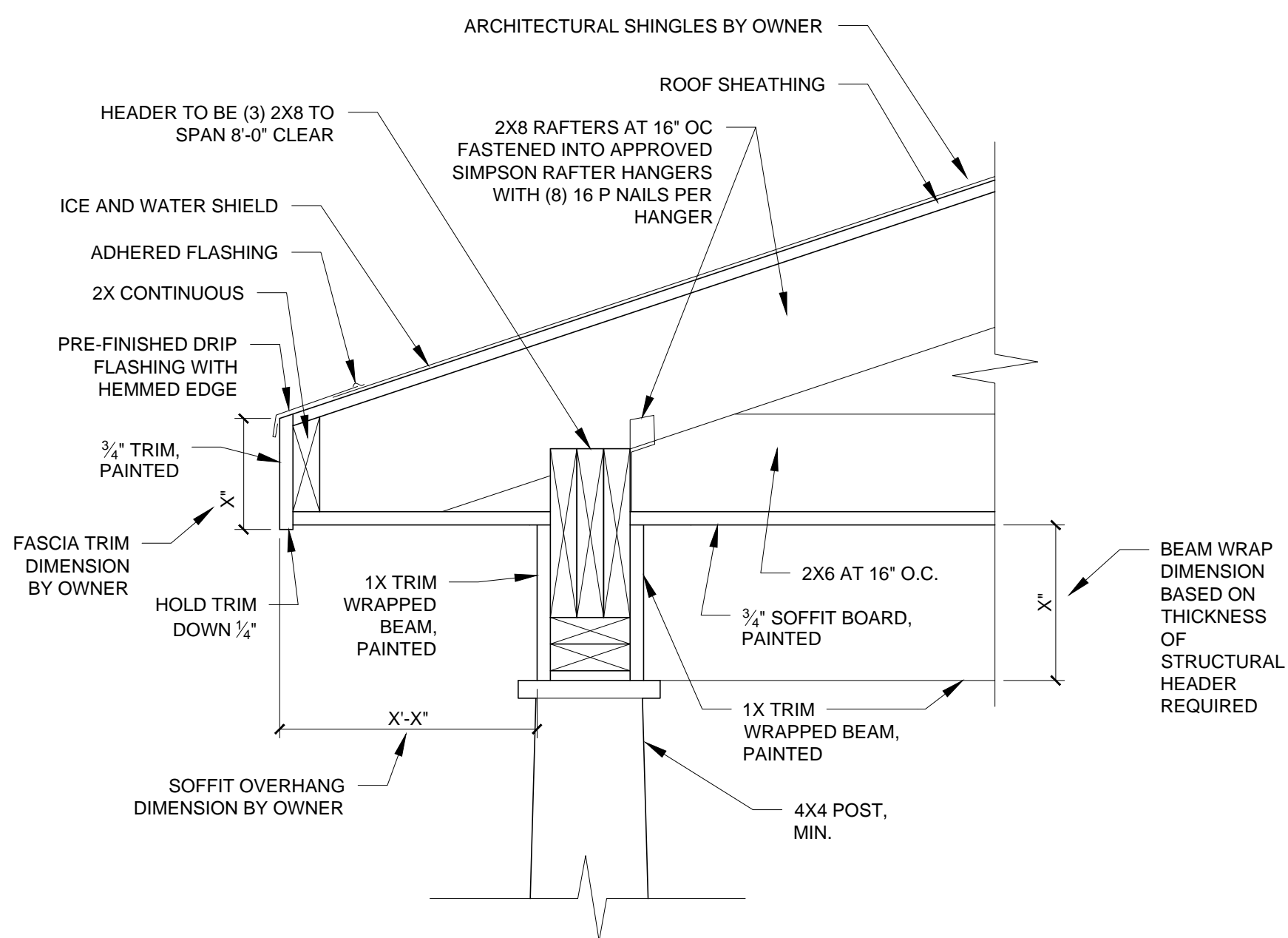


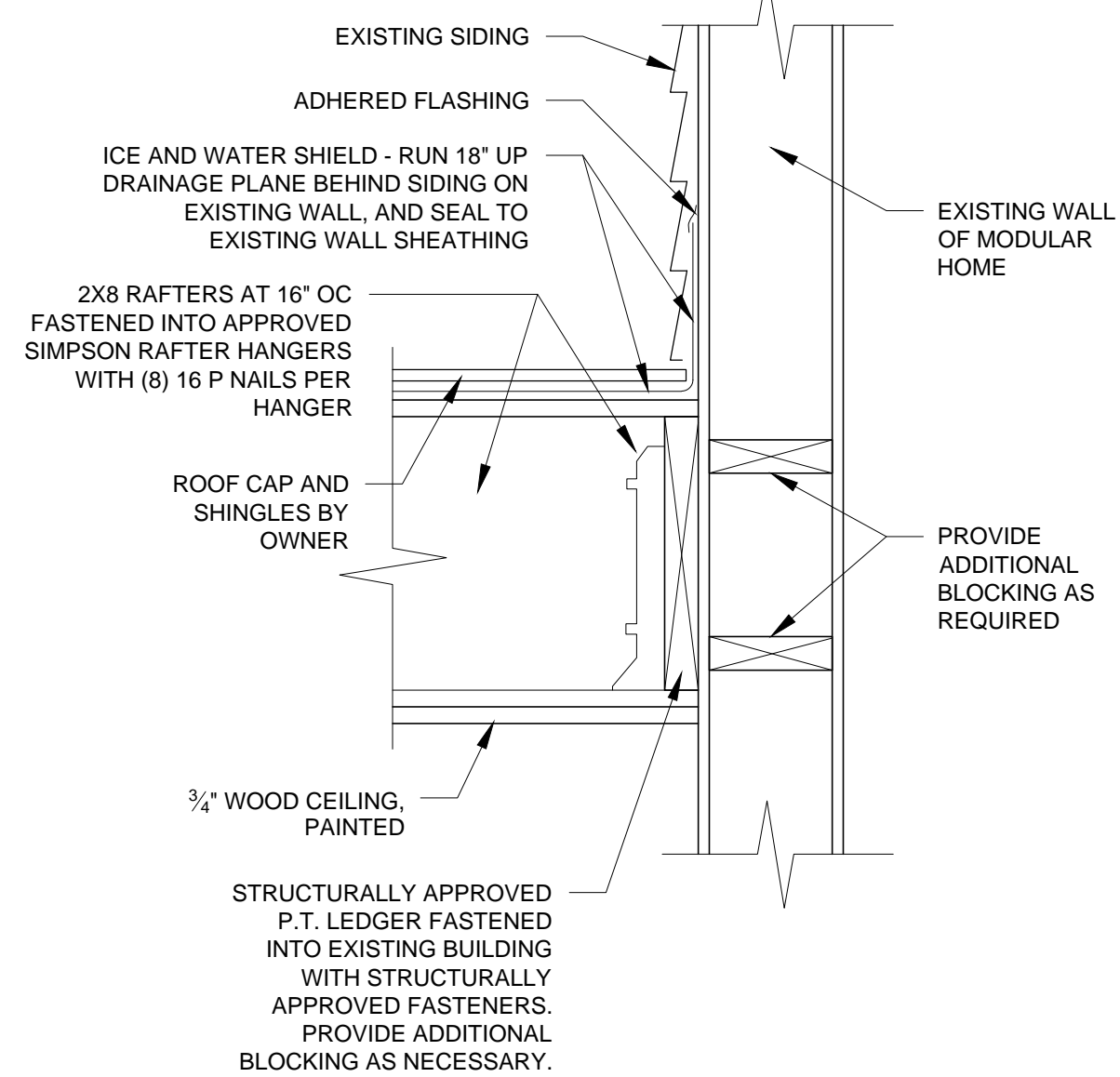
LEDGER FASTENING PATTERN



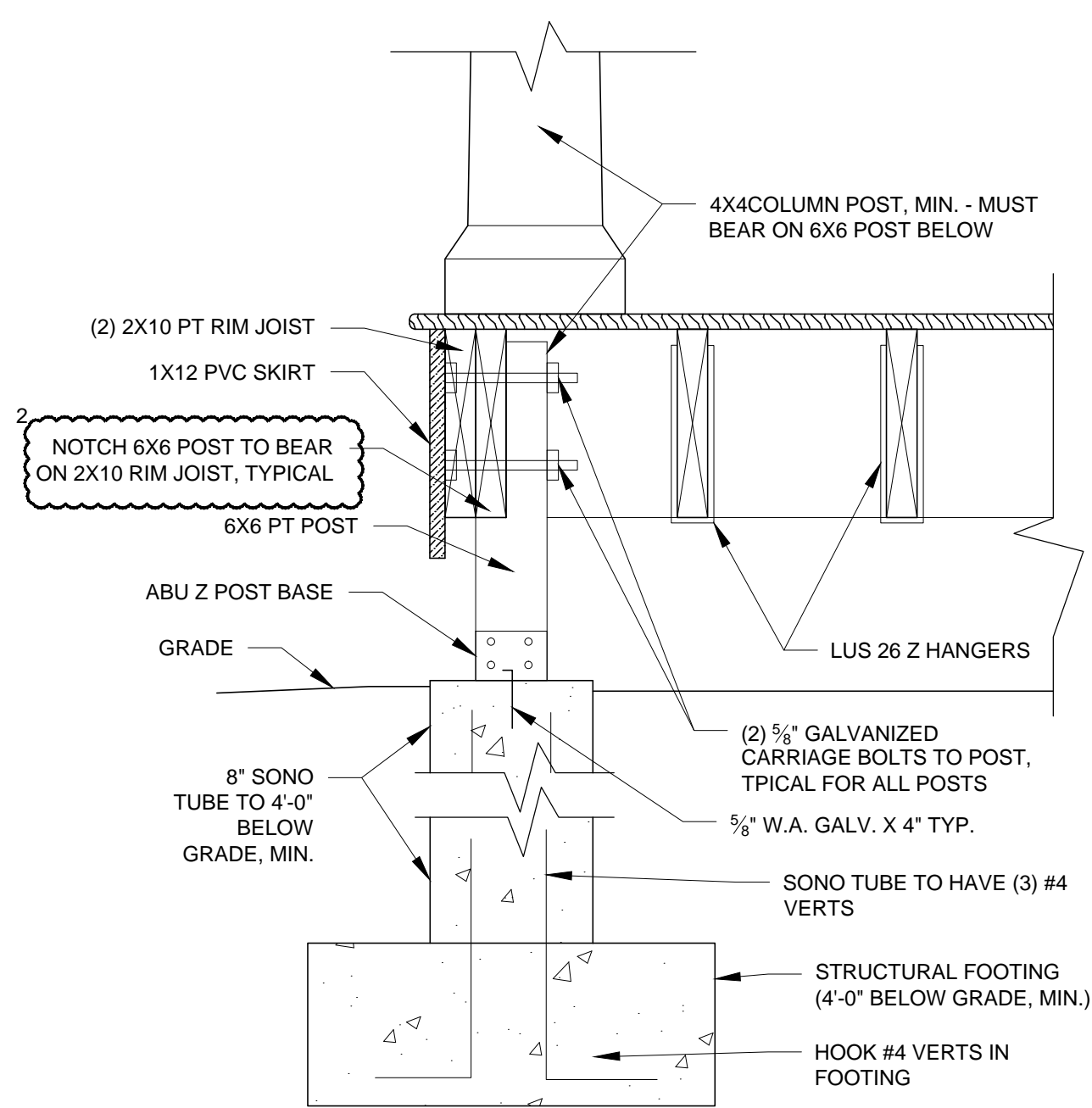
7 TYPICAL ELEVATION OF LEDGER FASTENING PATTERN
1/12" = 1'-0" (WHEN PRINTED AT 24"X36")



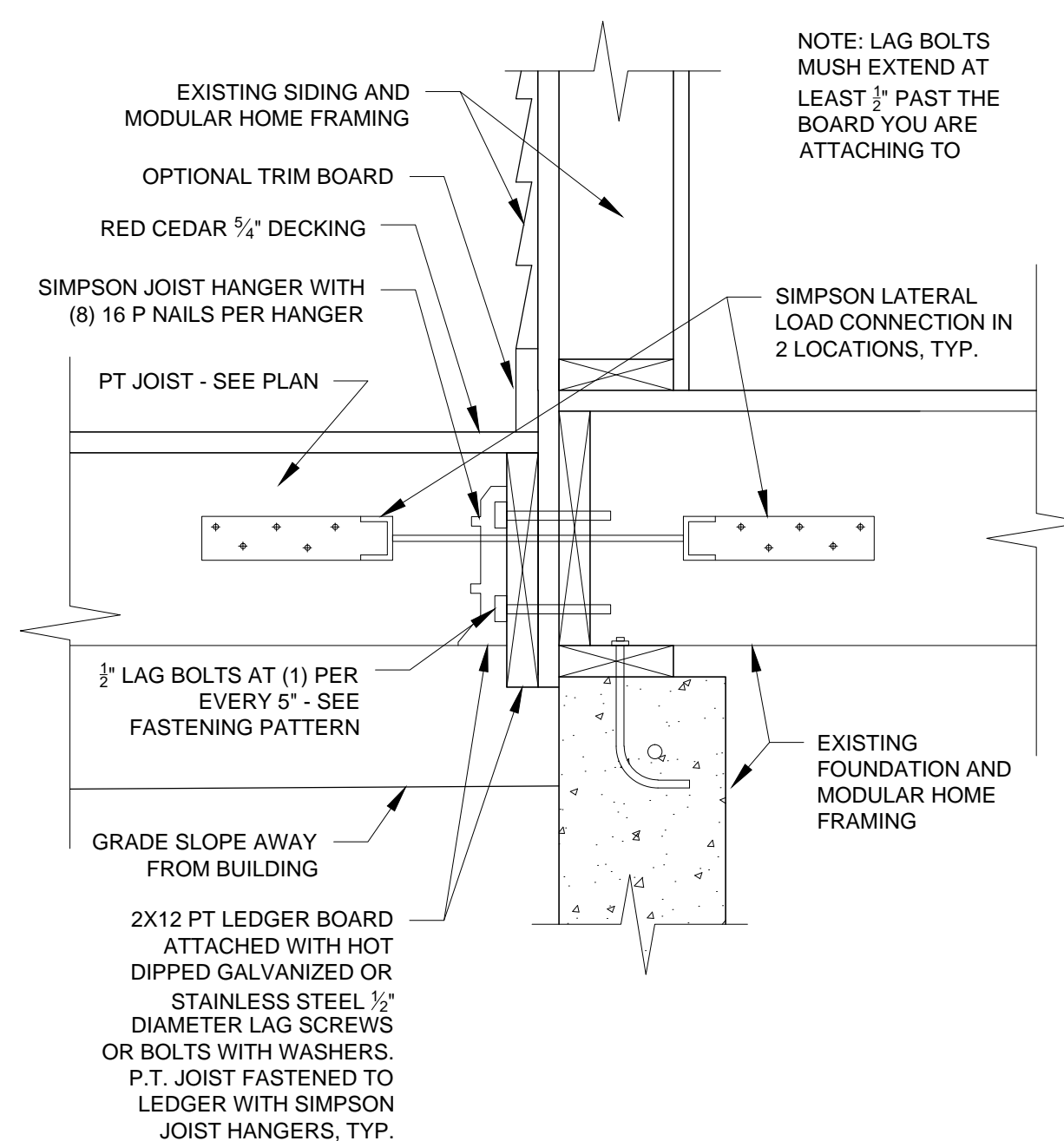
3 SECTION DETAIL AT SOFFIT AND HEADER
1/12" = 1'-0" (WHEN PRINTED AT 24"X36")



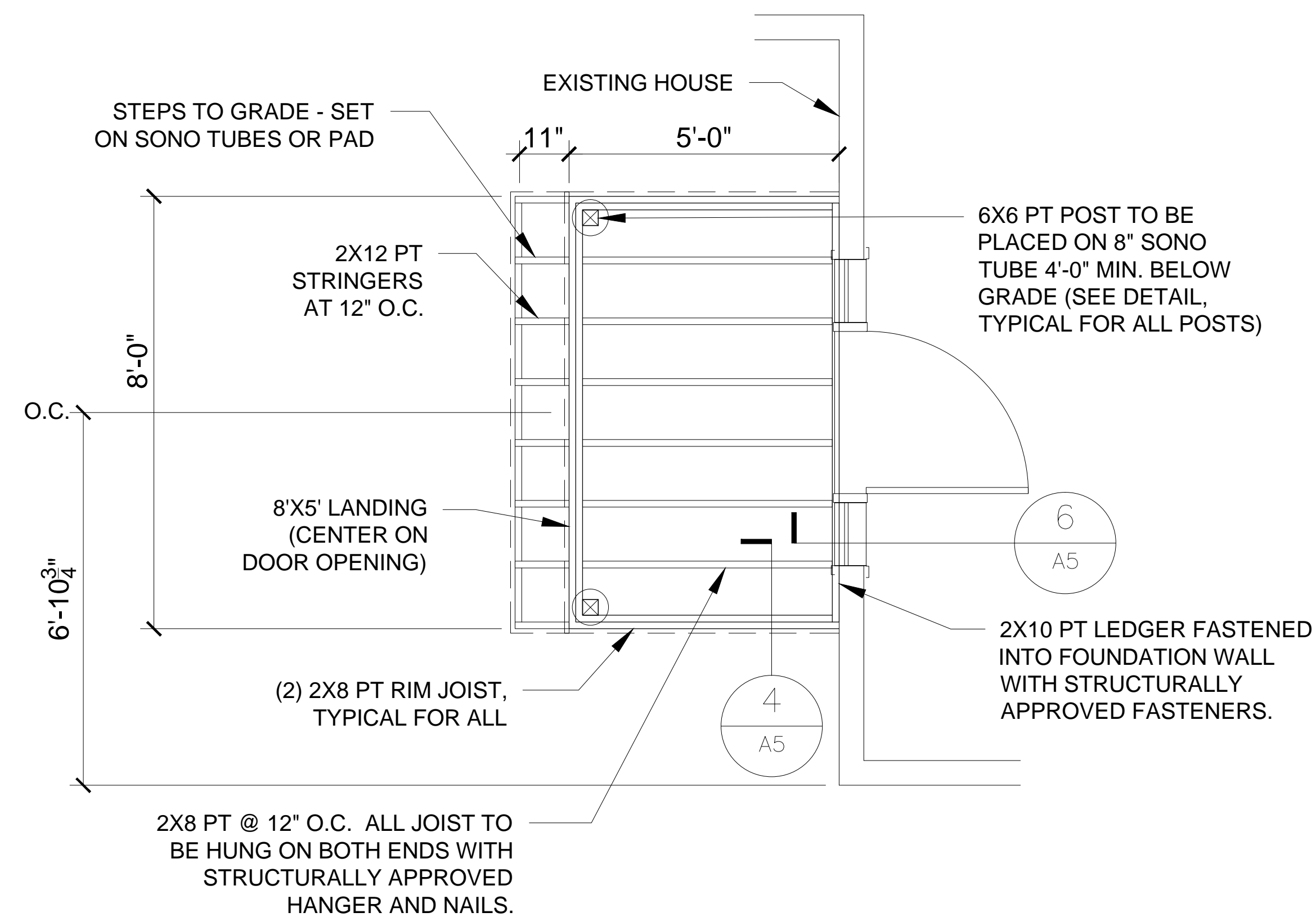
5 SECTION DETAIL AT PORCH ROOF INTERSECTION WITH EXISTING SIDING
1/12" = 1'-0" (WHEN PRINTED AT 24"X36")



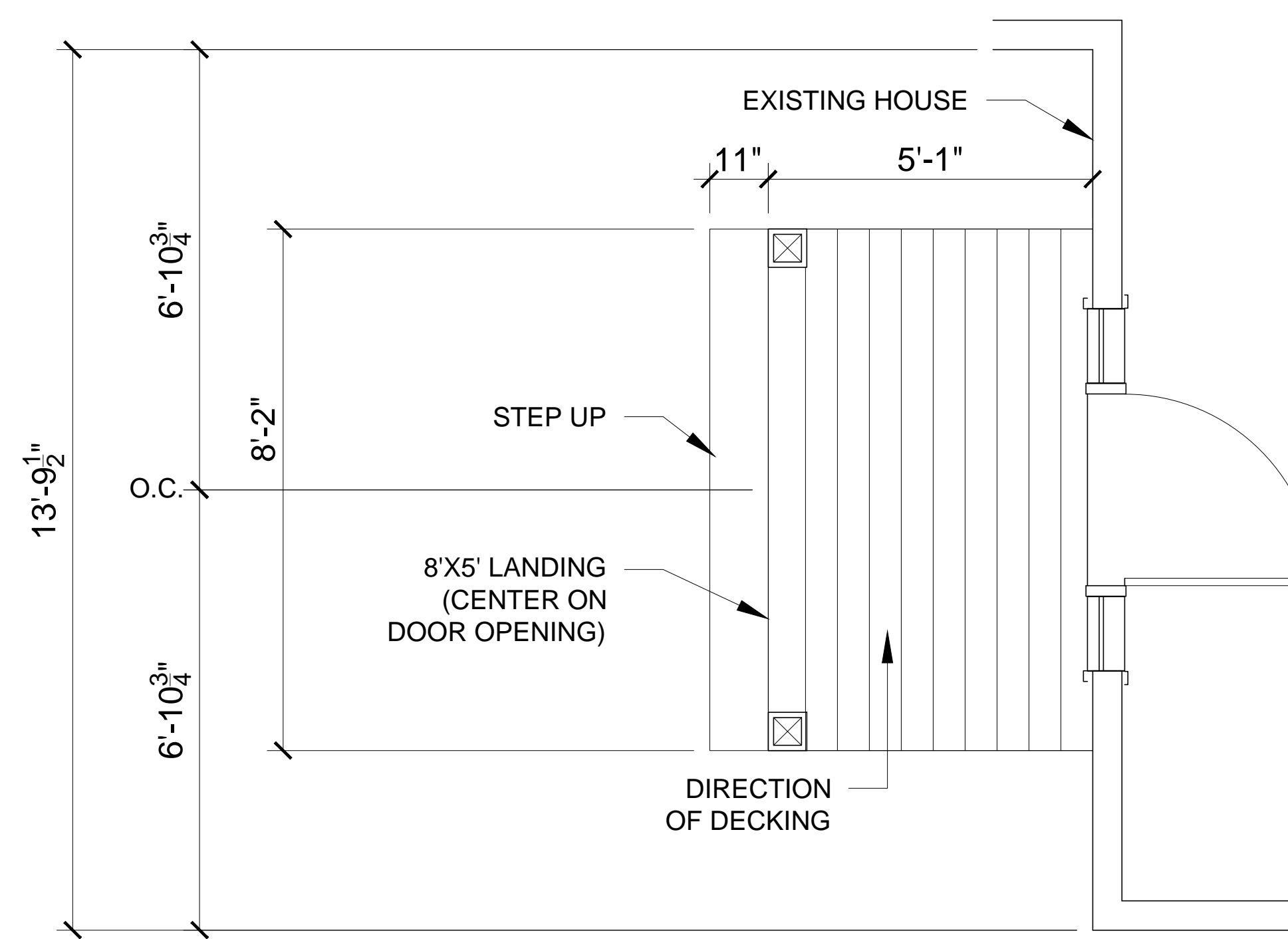
4 SECTION DETAIL AT PORCH FOUNDATION AND FRAMING
1/12" = 1'-0" (WHEN PRINTED AT 24"X36")



6 SECTION DETAIL AT PORCH FRAMING INTO EXISTING RIM JOIST
1/12" = 1'-0" (WHEN PRINTED AT 24"X36")



1 FRONT PORCH FRAMING PLAN
1/12" = 1'-0" (WHEN PRINTED AT 24"X36")



2 FRONT PORCH PLAN
1/12" = 1'-0" (WHEN PRINTED AT 24"X36")

PROGRESS PRINT
NOT FOR CONSTRUCTION