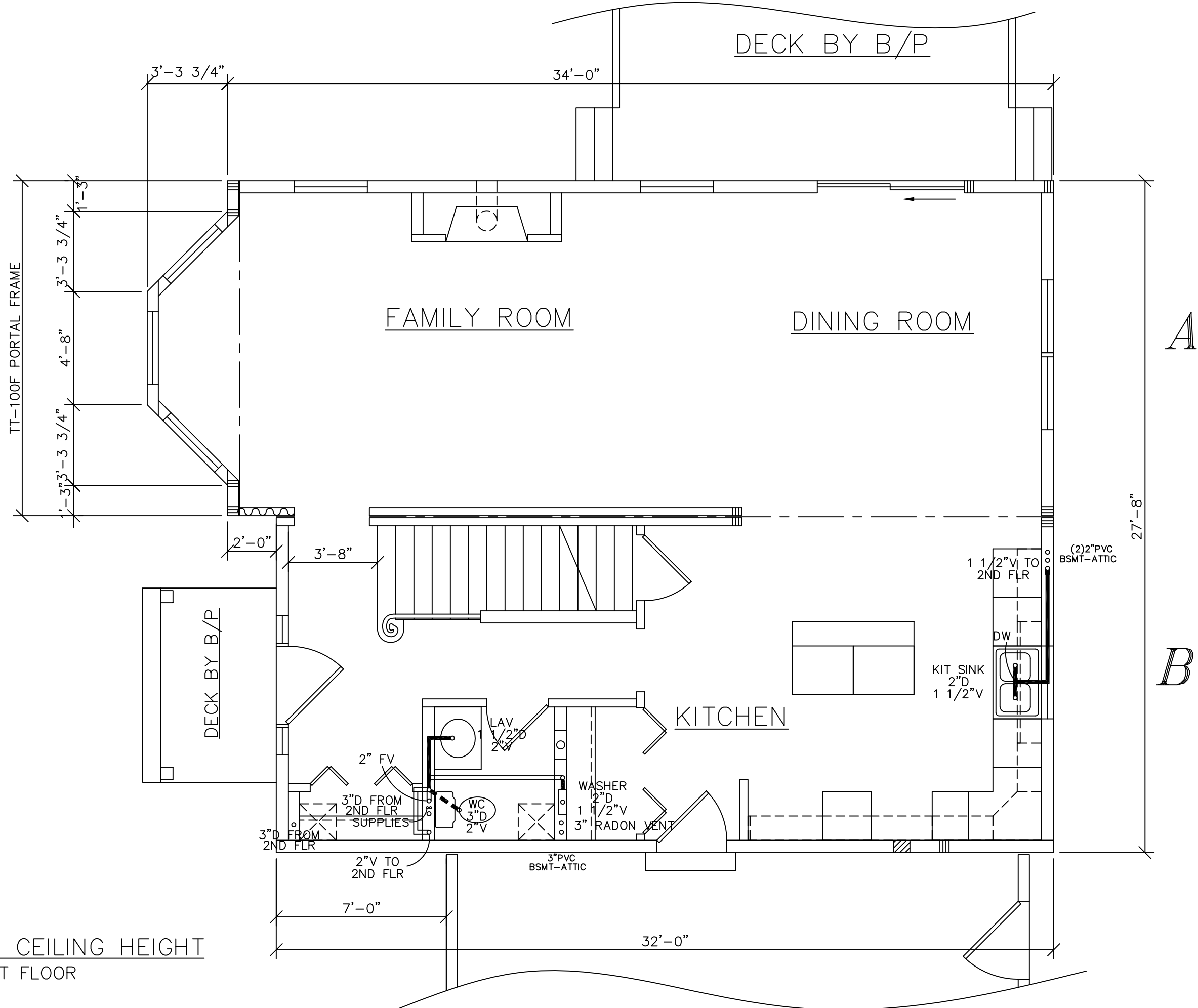


**FRONT**



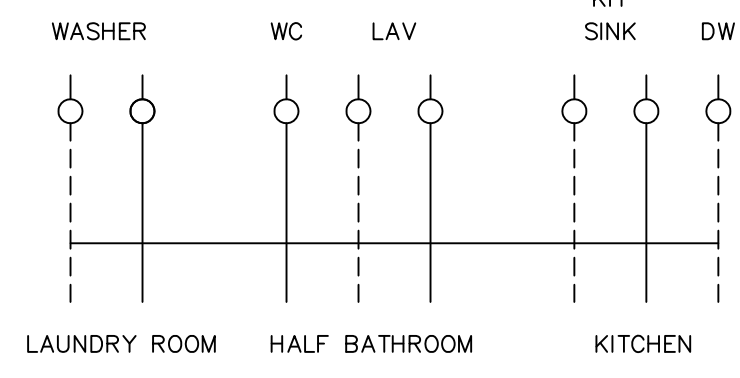
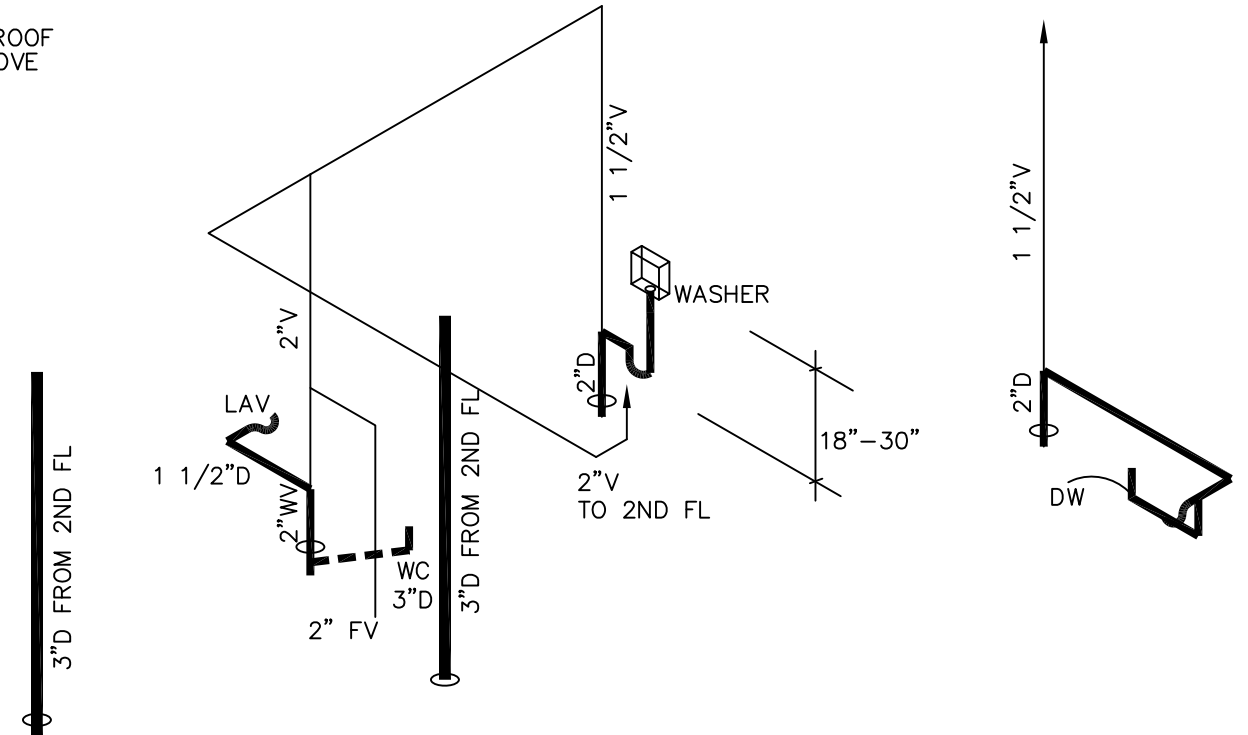
9'-0" FIRST FLOOR CEILING HEIGHT  
ENTIRE FIRST FLOOR

\*ALL VENTS THRU ROOF  
SHALL BE 24" ABOVE  
ROOF SURFACE

- DRAIN BY BP
- DRAIN BY WMH
- ===== VENT BY BP
- ===== VENT BY WMH

**DWV DIAGRAM**

- VIEW 'A' - NTS
- D = DRAIN
- V = VENT
- FV = FUTURE VENT
- SP = STAND PIPE
- DW = DISH WASHER
- WC = WATER CLOSET
- FC = FIELD CONNECTION BY B/P
- B/P = BUILDER/PURCHASER



**SUPPLY DIAGRAM**

- VIEW 'A' - NTS
- FL = FLOOR LINE
- ⊘ = 1/2" SHUT OFF VALVE
- COLD
- HOT

SEE STANDARD NOTES & DETAILS DWG #8

USE GROUP: SINGLE FAMILY		HOMEOWNER: BOUCHARD/MEOLI		THIRD PARTY INSPECTION AGENCY	
CONSTR. TYPE: VB		BUILDER: SILVER BEACH LLC DBA SILVER BEACH HOMES 83 WELLMOOD RD PORTLAND ME 04103		PE / RA	
DESIGNER: MJG	DATE: 05/05/17	SERIAL No. <b>17066</b>		PRODUCTION No.	
SCALE: 1/4" = 1'-0"	PAGE: 5A	REVISION		DATE	
RICHMOND CTM-L FIRST FLOOR PLUMBING PLAN		CHECK		DATE	
Westchester Modular Homes Inc 30 Reagans Mill Road, Wingdale, New York, 12594 Tel (845)832-9400 Fax (845)832-6698		CHECK		DATE	