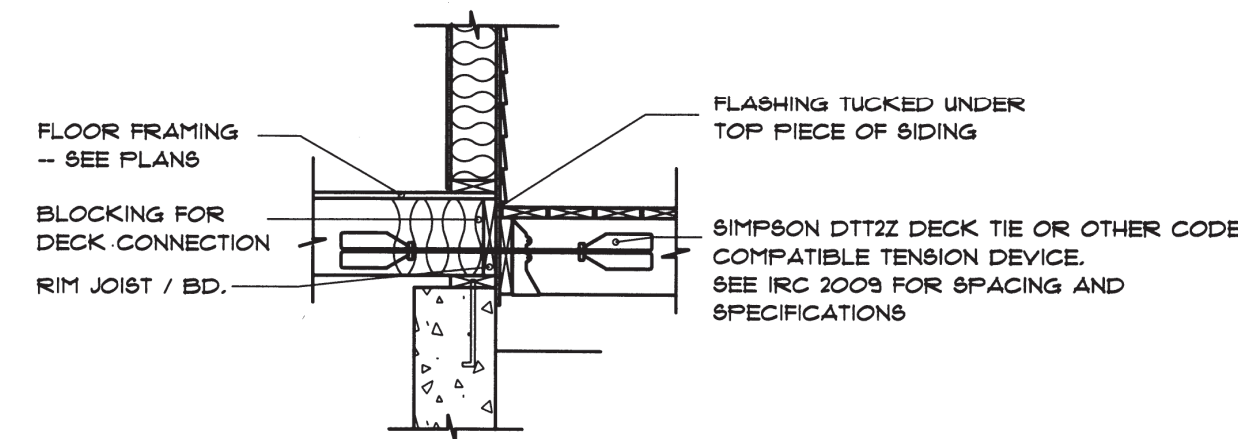
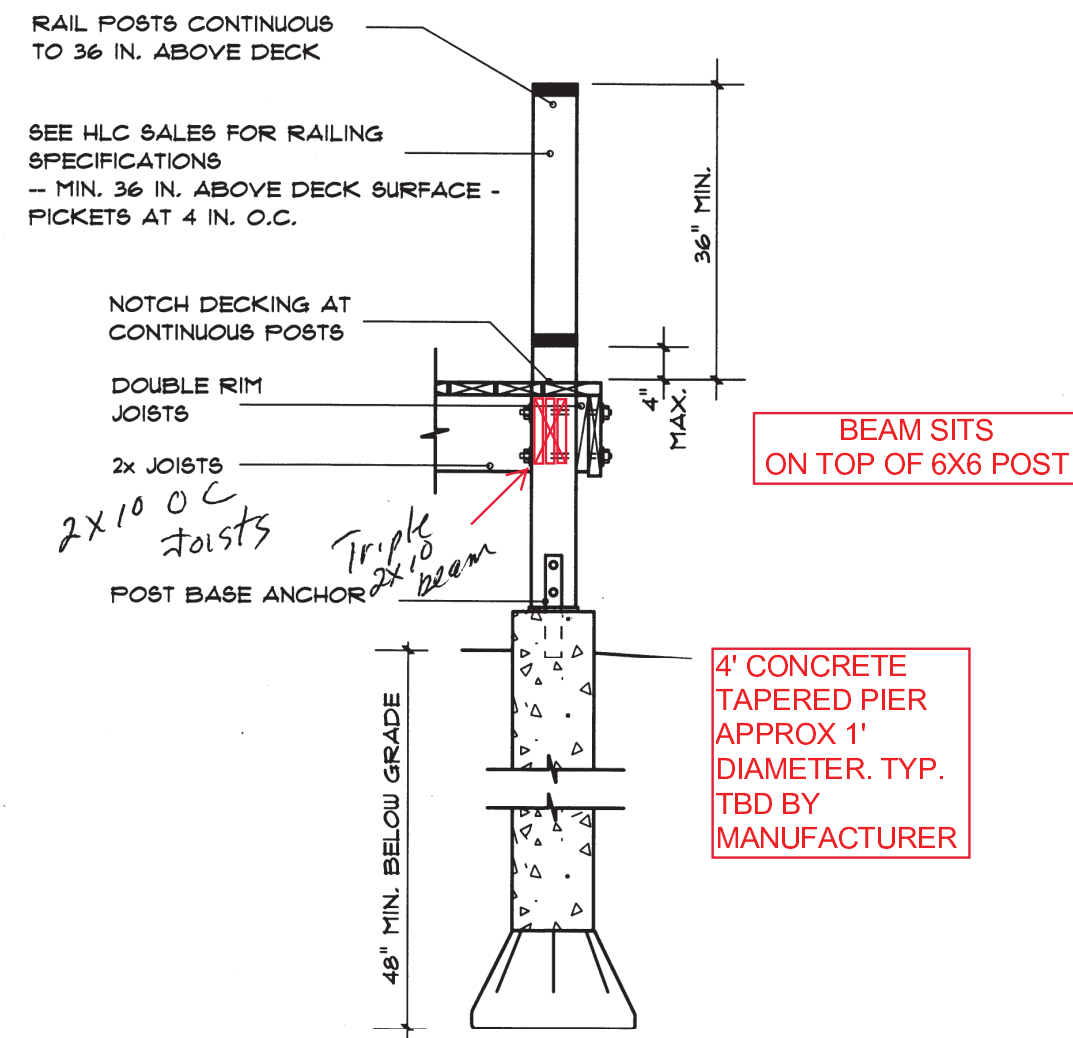


DECK DETAILS



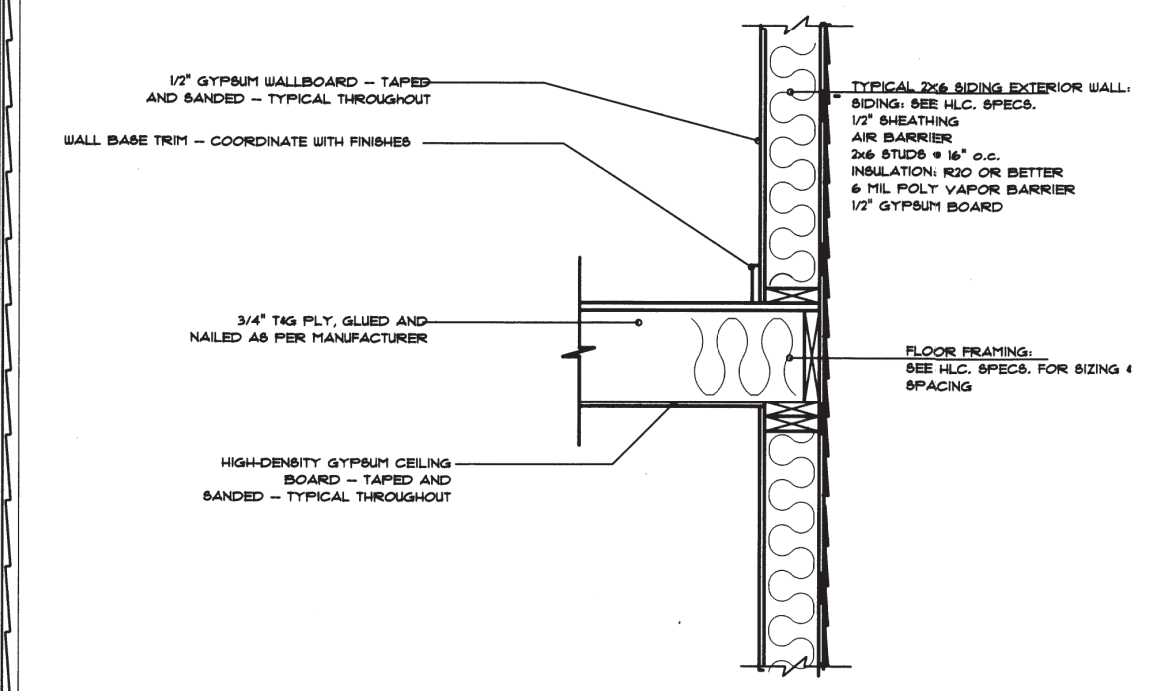
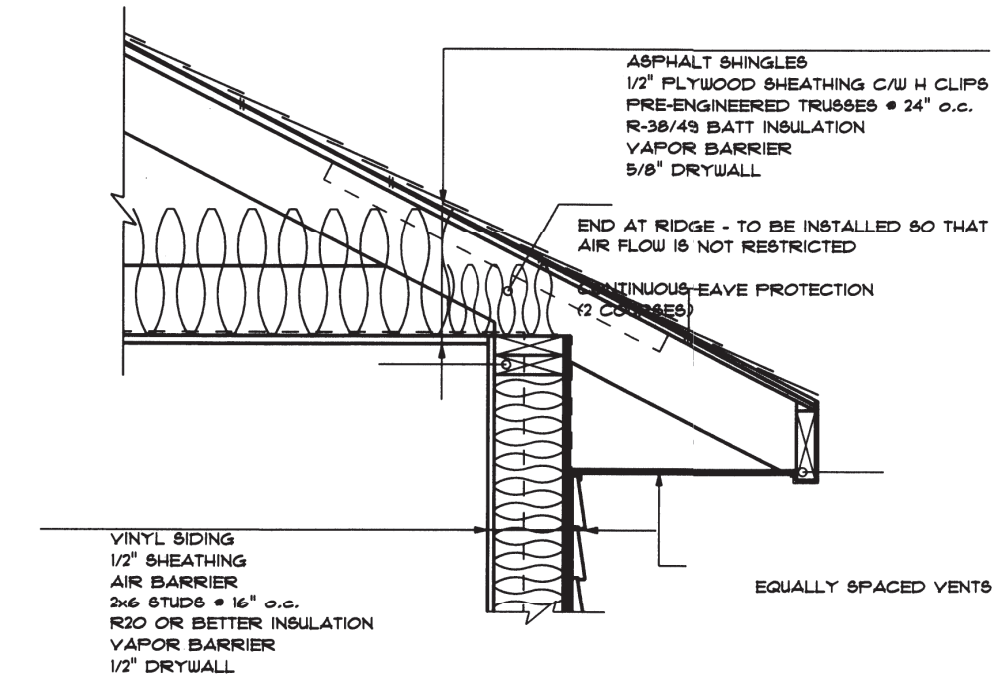
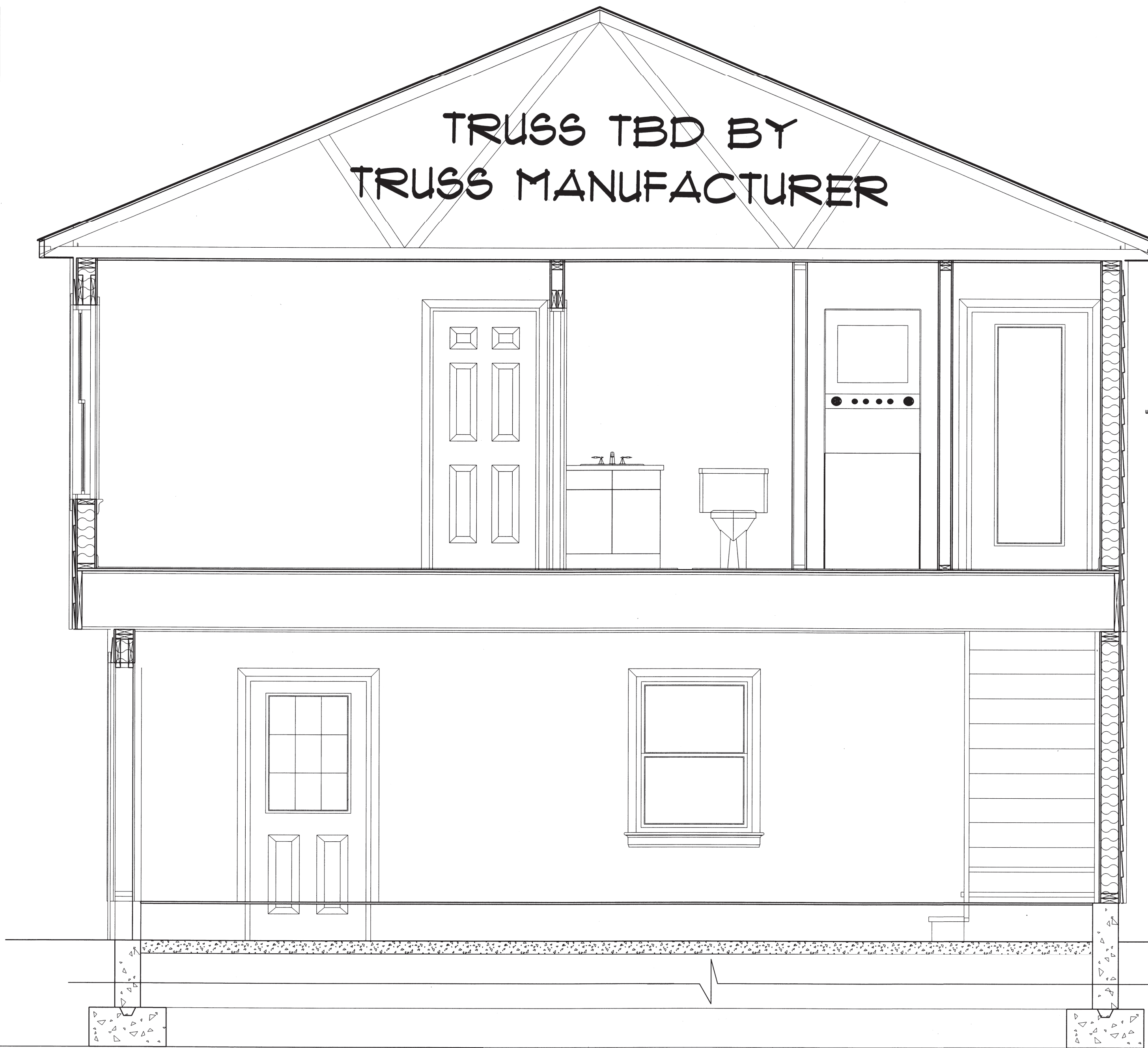
D.1 - DECK LATERAL LOAD CONNECTION

REFER TO IRC 2009 FOR CODE REQUIREMENTS.

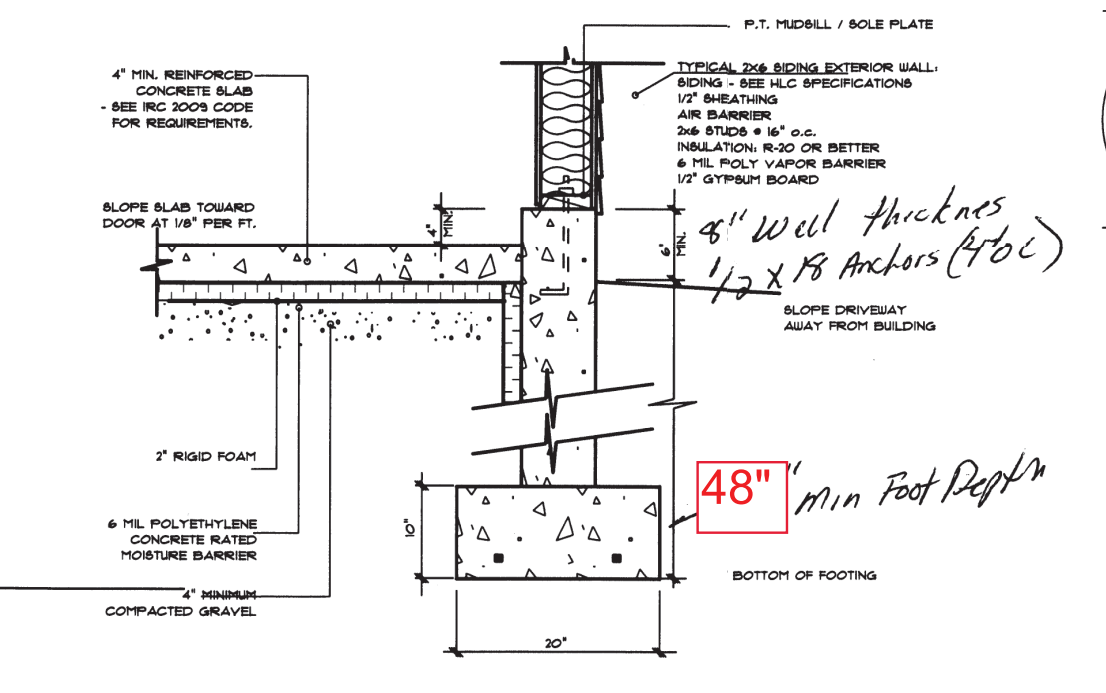


D.2 - FROST POST & DECK POST

REFER TO IRC 2009 FOR CODE REQUIREMENTS



2X6/SIDING, FLOOR FRAMING
REFER TO IRC 2009 FOR CODE REQUIREMENTS.



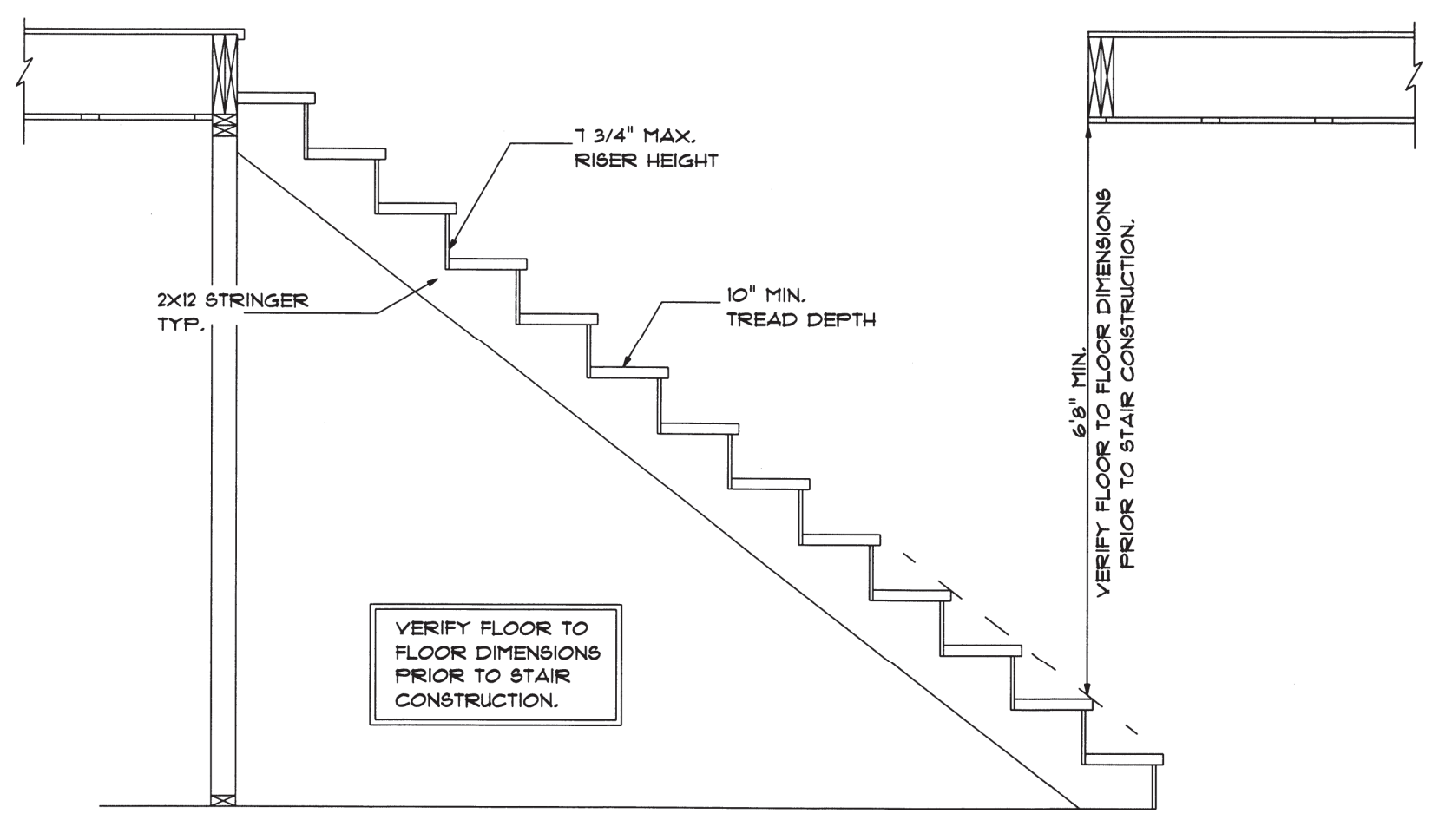
TYPICAL DETAILS

Hammond Lumber Company
1-866-HAMMOND
www.hammondlumber.com
Main - Roger - 866-866-8666
Fax - 866-866-8666
Email - sales@hammondlumber.com

DRAWINGS ARE PROVIDED BY HAMMOND LUMBER COMPANY AS A SERVICE TO OUR CUSTOMERS. THE INFORMATION PRESENTED IN THIS DRAWING IS FOR ILLUSTRATIVE PURPOSES ONLY. THE ARCHITECT AND/OR ENGINEER SHOULD BE CONSULTED FOR ANY SPECIFIC PROJECT REQUIREMENTS. HAMMOND LUMBER COMPANY SUGGESTS THAT ITS CUSTOMERS SEEK THE ASSISTANCE OF A REGISTERED ENGINEER OR ARCHITECT IF FURTHER INFORMATION IS NEEDED. THIS DRAWING IS NOT INTENDED TO BE USED AS A BASIS FOR CONSTRUCTION AND HAMMOND LUMBER COMPANY DISCLAIMS ANY RESPONSIBILITY IF THEY ARE SO USED.

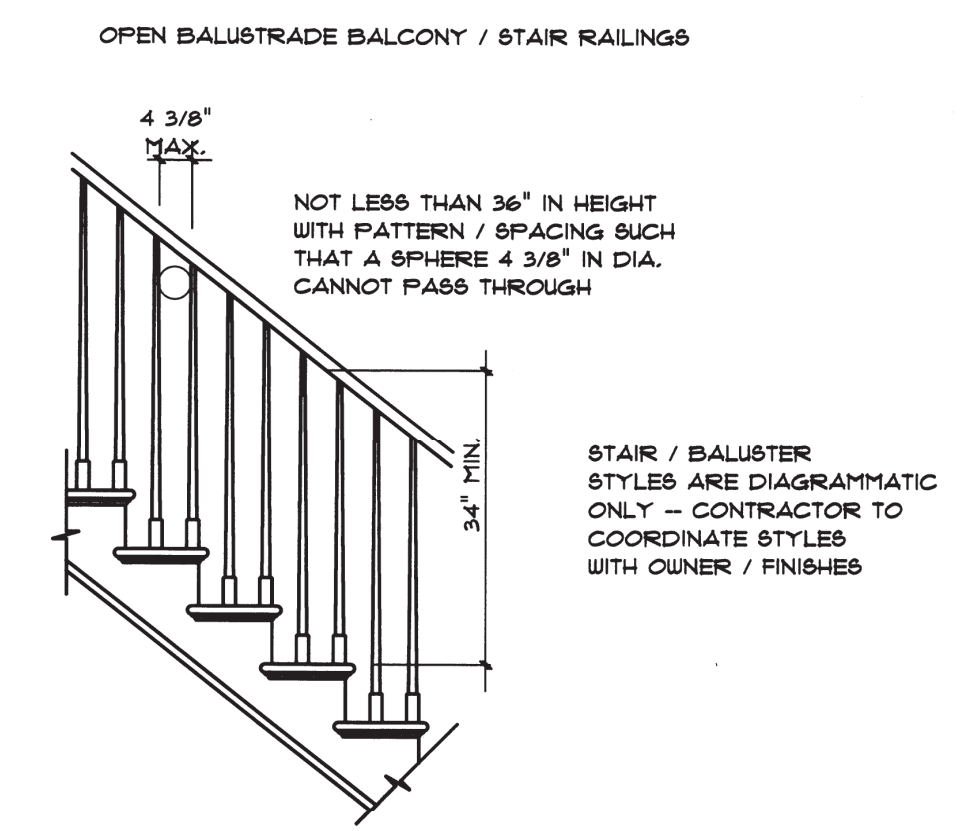
DATE: 11/15/2011
SCALE: AS NOTED
DRAWING NO.: AD10412
FOR PORTLAND
COUN: 26X38 ADDITION
PETER BROGAN

STAIR DETAILS



S.1 - TYPICAL STAIR DETAIL

REFER TO IRC 2009 FOR CODE REQUIREMENTS.



S.2 - STAIR RAILING

REFER TO IRC 2009 FOR CODE REQUIREMENTS.

TYPICAL - NOT TO SCALE

HAMMOND LUMBER COMPANY HAS SUPPLIED THIS DRAWING FOR ILLUSTRATIVE AND INFORMATIONAL PURPOSES ONLY. THE HOMEOWNER/CONTRACTOR IS RESPONSIBLE FOR ENSURING THAT THE MATERIALS CHOSEN WILL COMPLY WITH LOCAL BUILDING CODES AND/OR STANDARD BUILDING PRACTICES. HAMMOND LUMBER COMPANY SUGGESTS THAT ISN'T CUSTOMERS SEEK THE ASSISTANCE OF A REGISTERED ENGINEER OR ARCHITECT IF FURTHER INFORMATION IS NEEDED. THIS DRAWING IS NOT INTENDED TO BE USED AS A BASIS FOR CONSTRUCTION AND HAMMOND LUMBER COMPANY DISCLAIMS ANY RESPONSIBILITY IF THEY ARE SO USED.

CROSS SECTION

