

Rick's Pools

6/9/17

FROM A TO:	
D	47'-1 1/2"
N1	35'-2 1/2"
P	14'-7"
P1	12'-6"
Q	26'-0 3/4"
R	23'-3 1/4"
R1	26'-10 3/4"
S	34'-10 3/4"
T	14'-3 1/2"
U	42'-10"

FROM B TO:	
C	47'-1 1/2"
N1	38'-11"
P	29'-6 3/4"
P1	28'-7 1/4"
Q	14'-6"
R	34'-8 1/4"
R1	37'-2 1/2"
S	27'-4 1/4"
T	42'-10"
U	14'-3 1/2"

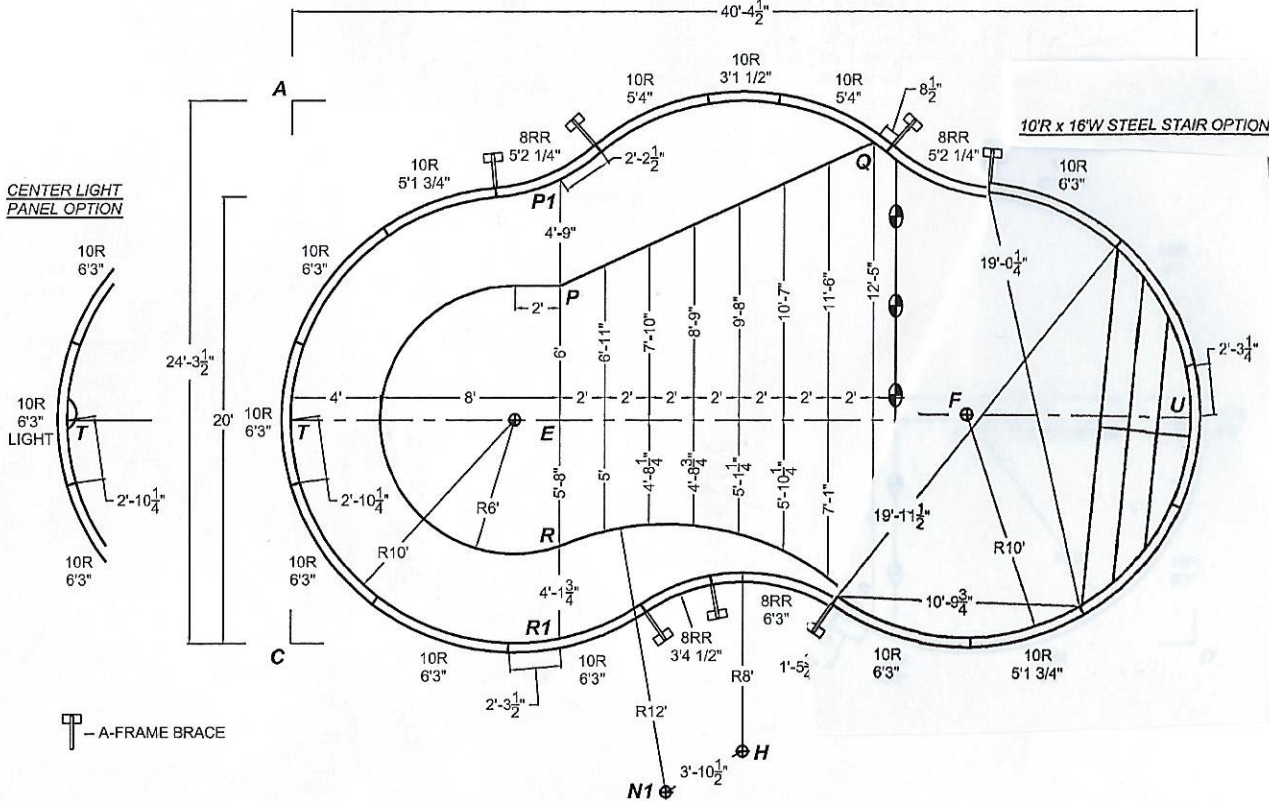
FROM C TO:	
B	47'-1 1/2"
N1	18'-0 1/2"
P	20"
P1	23'-11 3/4"
Q	34'-4"
R	12'-9 1/4"
R1	12"
S	26'-0 1/4"
T	10"
U	41'-7 1/4"

FROM D TO:	
A	47'-1 1/2"
N1	24'-8 1/4"
P	32'-2"
P1	35'-2"
Q	26'-7 1/2"
R	28'-8 1/2"
R1	28'-4 1/2"
S	14'-5"
T	41'-7 1/4"
U	10"

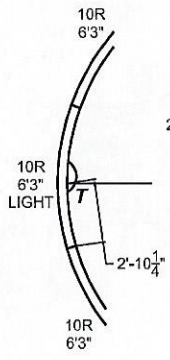
FROM T TO:	
N1	23'-7 3/4"
P	13'-5"
P1	16'-1 1/2"
Q	28'-9 3/4"
R	13'-3 1/4"
R1	15'-6"
S	27'-6 1/4"
U	40'-4 1/2"

FROM U TO:	
N1	28'-10 3/4"
P	29"
P1	30'-4 1/4"
Q	19"
R	28'-11 1/4"
R1	30'-0 1/4"
S	16'-11 1/2"
T	40'-4 1/2"

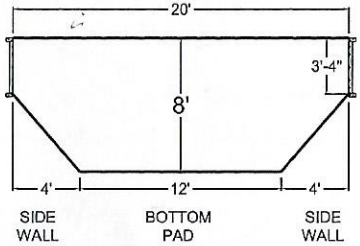
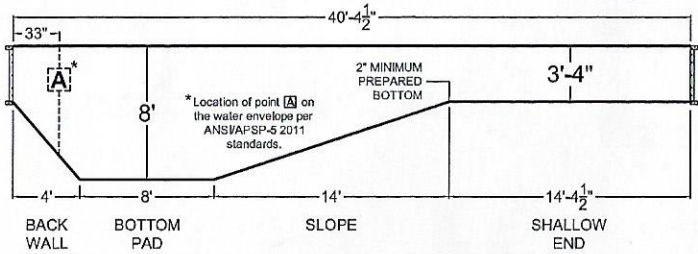
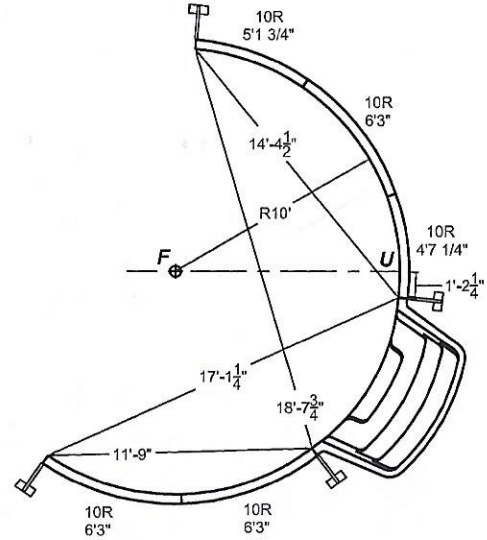
10'R x 16'W STEEL STAIR OPTION



CENTER LIGHT PANEL OPTION



8' RADIUS PLASTIC STEP OPTION



ALL DIMENSIONS ARE FINISH DIMENSIONS

Volume: 24800 gal / 83850 L	Perimeter: 107'-0" / 32.61 m	Surface Area: 742.41 ft ² / 68.96 m ²	Liner Sq. Ft.: 807.5000	78
-----------------------------	------------------------------	---	-------------------------	----

24' x 40' mountain Pond customer Armstrong