

The Pool Shed, Inc.

Inground Swimming Pools

PO Box 124 Buxton, ME 04093
(207) 727-5181

172 Bonny Eagle Road Hollis, ME 04042
www.thepoolshed.com
(800) 291-8119

On June 10, 2014 in this contract between THE POOL SHED, "The Contractor" and JIM and KELLY STREETER "The Owner" with an address 66 GARSOE DRIVE PORTLAND, ME 04103 and phone number 797-3093 / 229-2355 Enter into the following contract:

16' x 32' POOL SHED SWIMMING POOL

FEATURES INCLUDED IN THIS CONTRACT:

8' Pacific Built In Steps	Four Feet of Concrete Patio
300 Watt Underwater Light	All 28 Mil Liner - Choice of Style
Two Wide Mouth Skimmer	One Stainless Steel Ladder
Ultra Mesh Loop-Loc Safety Cover	Aluminum Rim-Lock Coping
Vermiculite Pool Base	Automatic Chlorine Feeder
High Density Wall Foam	Water to Fill Swimming Pool
Chemical Package	First Season Pool Closing
Deluxe Vacuum System	3.5' x 7' Mechanics Pad
Hayward S-220T Sand Filter	Hayward 3/4 HP Super Pump

CONSTRUCTION OF A POOL SHED POOL



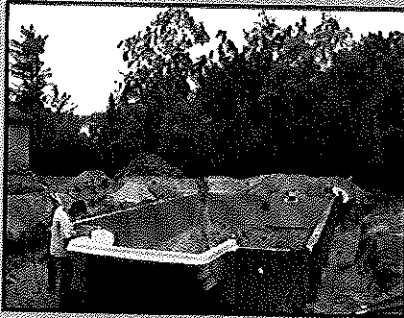
First you will select the perfect location for your pool.



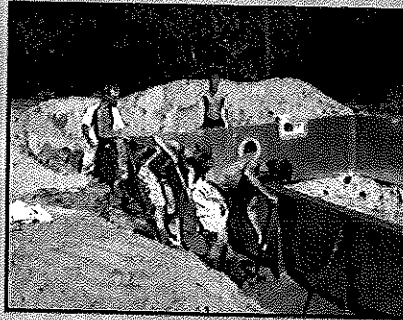
Our excavator will begin digging the pool site to the correct depth and shape.



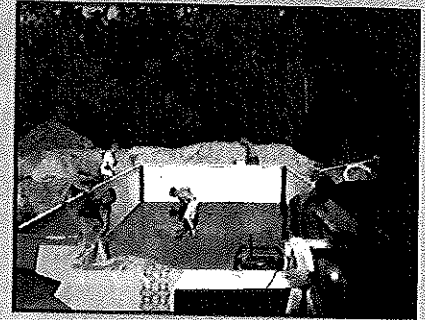
The pool panels are laid out around the excavated hole and ready to assemble.



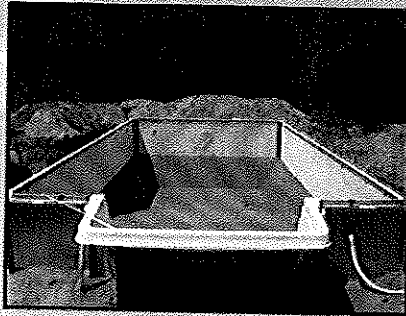
The panels are set into place and bolted together.



A concrete footing is poured around the base of the walls and the walls are straightened.



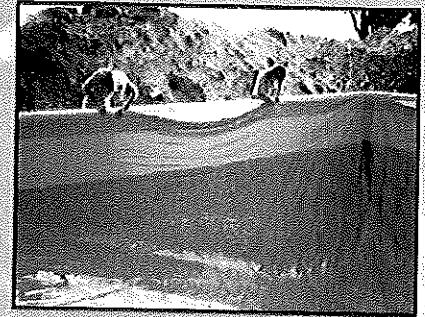
The interior of the pool is shaped and prepared for the vermiculite base.



The plumbing is done and base is trowled into place.



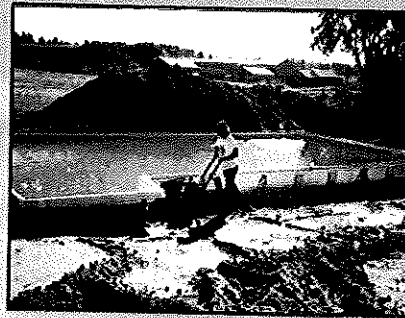
Once the vermiculite has hardened, it is cleaned and prepared for the liner.



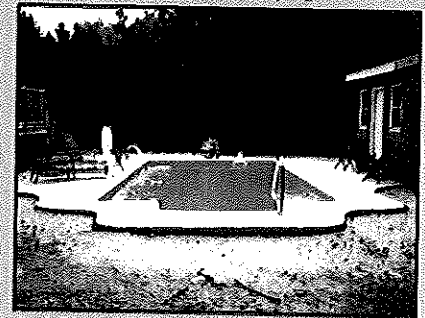
The liner is set in place and the bead is locked into the pool coping.



The pool is filled with water and ready to start filtration.



The pool is backfilled and compacted in lifts to prepare for concrete patio.



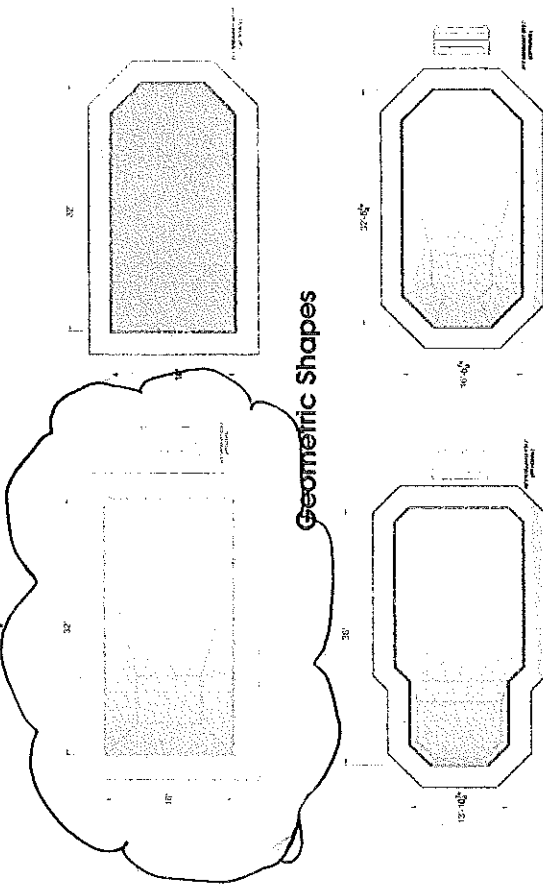
The concrete patio is poured, ready for landscaping.



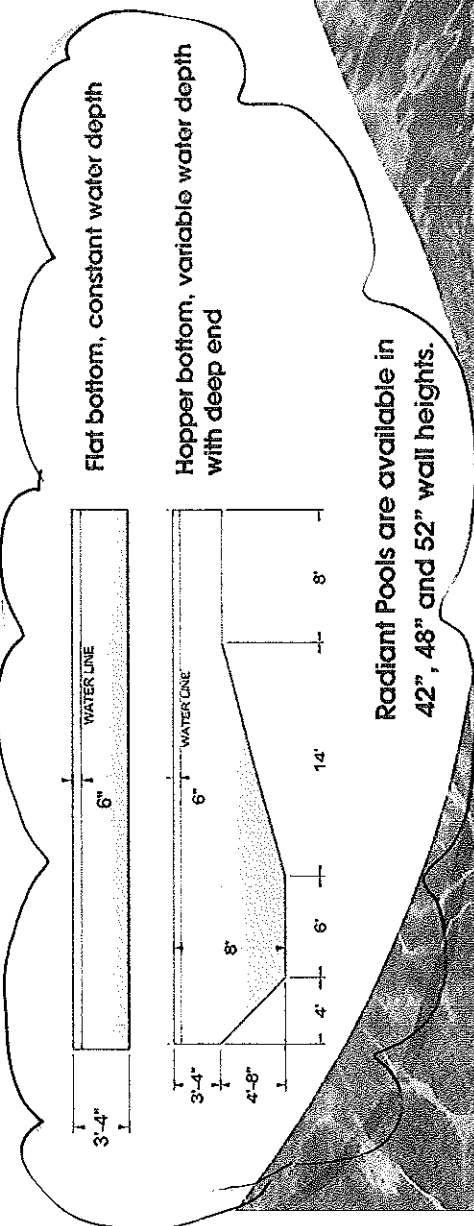
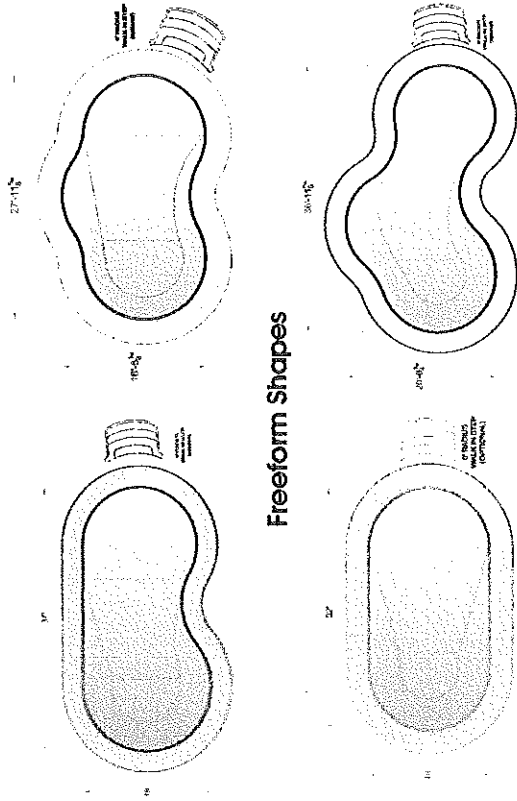
AND THEN.....

Styles. Options.

When planning your inground pool, it is important to consider the style that best suits you and your yard. Whether you prefer lines and angles or loose curves, Radiant Pools offers a variety of geometric and freeform shapes from which to choose.



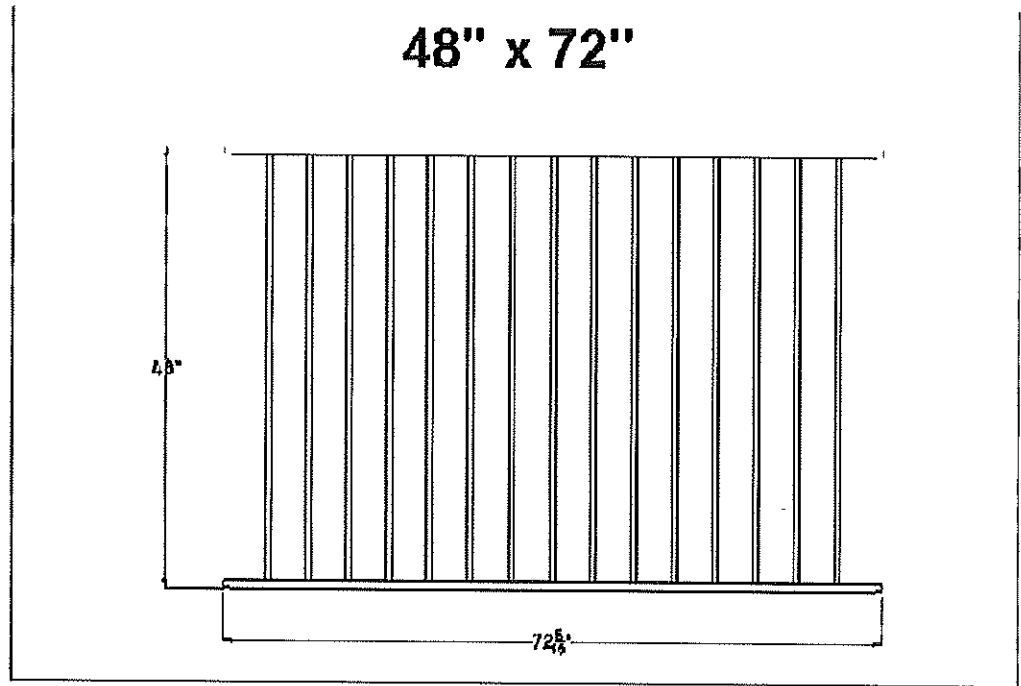
When selecting the shape you'd like, it is important to choose the correct size that leaves you adequate space surrounding your pool. Other options for consideration include wall height, water depth and entry stair type. Your dealer will help you choose the pool and options that works best for you.



Radiant Pools are available in 42", 48" and 52" wall heights.



48" x 72"



Aluminum Fence to enclose all 4 sides of the pool. Fence height 48 inches above grade, max of 2inch space from bottom rail to grade, less than 4" width between vertical balusters. A 5' wide arch topped aluminum double gate will be installed on one side of the fence facing the house. Left hand gate to be latched closed by drop pin into the ground. Right hand gate to be operable with spring hinge for self closing. Gate will have locking latch system that meets the minimum access height of 54 inches above grade. See latch specs and gate specs as example.

INSTALLATION INSTRUCTIONS NORTH AMERICA

Australia-NZ instructions overleaf

MAGNA-LATCH®

For swimming and other child safety gates, most safety standards specify the following minimum height requirements above the finished ground/fixing surface:

1) latch release knob 'F' at minimum 54"-59" (1370-1500mm); 2) fence height of between 4' & 6' (1200 & 1820mm). Always confirm these and other requirements with the appropriate pool or safety authorities in your area and install this latch in accordance with the local fence/barrier codes and regulations. Also, pool gate must open outward, away from the pool, so this latch must be fitted to the *outside* of a pool gate. **Tools:** Electric and cordless drills, drill bits, Phillips No. 2 screwdriver (hand & powered types). Note: If mounting to steel or vinyl with aluminum or steel inserts, it is advisable to pre-drill the holes to prevent screw breakage.

Installation Procedure

1. The gap between gate frame and latch post must be between $\frac{3}{8}$ " (10mm) and $\frac{1}{16}$ " (37mm); $\frac{3}{4}$ " (19mm) is ideal.

2. Determine the location of the hole for Mounting Bracket 'A' by measuring up from the finished ground/fixing surface...
• for 54" knob height measure up $36\frac{3}{8}$ " (925mm); • for 59" knob height measure up $41\frac{3}{8}$ " (1050mm).

Place Mounting Bracket 'A' on the post as shown, and, using one of the 1" (25mm) wafer-head, self-drilling screws, fix the bracket to the post – through the side fixing hole. Now install two more of these screws through the front of the bracket.

3. To install Mounting Bracket 'B' measure up from Bracket 'A' $13\frac{3}{8}$ " (340mm). Mark this point and fix as '2' above. **NOTE:** For 4 feet (1200mm) fences without an extra-high post, this measurement should be 5" (125mm) for 54" knob height and 10" (250mm) for 59" knob height.

Place the Bracket 'B' so that the holes are centered on the marked line. Fix bracket using the same screws as per Bracket 'A'. (**NOTE:** In some applications it may be necessary to add a spacer to clear a post cap. Spacers S1, S2 & S3 are for this purpose and should be inserted behind the mounting brackets during installation.)

4. Take the main LATCH BODY 'C' and slide it down onto the Mounting Bracket 'B', ensuring the rear track of the latch slides over brackets 'B', then 'A'.

5. Slide the Latch Body until the bottom of the latch aligns neatly with the lower end of Bracket 'A' (see dashed line 'L'). Take the single $\frac{3}{8}$ " (10mm) countersunk screw 'H' and secure the Latch Body – **DO NOT** use a power or cordless drill – to Bracket 'A'.

6. The final part to be installed is the STRIKER BODY 'D'. Note that the Striker Body slides on a dovetail track within the Mounting Plate (P1, P2) and is operated by an internal adjustment screw; **NEVER** use a powered drill to adjust this screw.

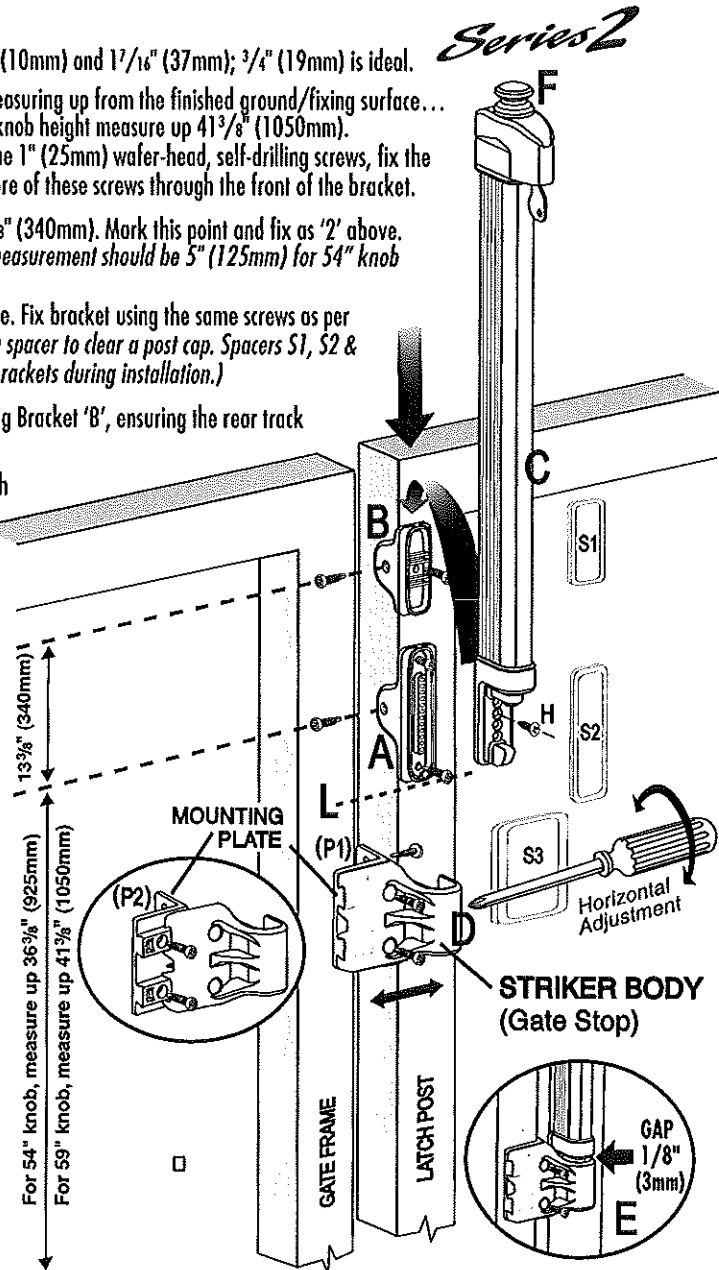
See Diagram 'E'. Locate the Striker Body assembly onto the post as shown. Position the Striker Body to obtain a $\frac{1}{8}$ " (3mm) gap between the lower part of the latch and the top of the Striker Body as shown. Maintain this gap and fix two 1" (25mm) screws through the two main holes of the Striker Body. The two, small (cylindrical) dress plugs supplied should now be pressed into the screw holes.

7. a) Open the gate and secure two more screws through the side leg of the Mounting Plate. Note: If the width of the gate frame is $1\frac{1}{2}$ " (38mm) or greater, follow step b)...

b) With the gate open, adjust the Striker Body using the screwdriver in the adjustment screw. Turn counter-clockwise until the two holes are exposed, as in Diagram 'P2'. Fix the two remaining screws to secure the Mounting Plate.

8. Use the screwdriver to adjust the Striker Body to align with the Latch Body, as shown in Diagram 'E'. Open and close the gate to check the latch operates correctly. Adjust as necessary at any time after installation to ensure safe operation of the latch.

NOTE: Future vertical adjustment of the latch can be achieved by removing the screw 'H', sliding the Latch Body up or down the post to obtain correct operational alignment, then inserting the screw into the appropriate hole.



Made in  Australia

d+d technologies

AUSTRALIA: 192 Harbord Rd, Brookvale NSW 2100
USA: 7731 Woodwind Drive, Huntington Beach, CA 92647

MLINSTR0002PA

pk-m1/11 (5/01)001

Swimming pool fences, gates and latches cannot substitute for adult supervision. If using this latch on a swimming pool gate, consult all appropriate local authorities for safety requirements. The latch will operate properly only if installed and maintained in accordance with these instructions.

MAINTENANCE: REMOVE KEY FROM LOCK AFTER USE. Regularly lubricate the key-lock part of this latch by spraying oil-based lubricant into lock. Do not lubricate any other part of the latch. Ensure all screws or bolts are tightened firmly and that the release knob (F) and latching bolt are kept free of sand, debris or ice which could impair latch performance.

WARRANTY & LIMITATION OF LIABILITY: The products are warranted to be free of defects in materials and workmanship to the original purchaser for as long as he/she owns the product. If a structural material defect appears, the original purchaser may return the item, freight prepaid, together with proof of purchase to the company or its approved international agents. The company or agent will, at its discretion, repair or replace the defective item or part without charge to the purchaser. Anodised, powdercoated and printed finishes are not "structural material" and warranties for such finishes are limited to those offered by the current powdercoat manufacturers or applicators. **THIS WARRANTY SHALL NOT APPLY WHEN THE PRODUCT HAS BEEN TAMPERED WITH, WHEN REPAIRS OR ATTEMPTED REPAIRS HAVE BEEN MADE BY UNAUTHORISED PERSONS, WHERE THE ITEM HAS BEEN SUBJECTED TO MISUSE, ABUSE, ACCIDENT OR DAMAGE IN TRANSIT, OR WHERE THE INSTALLER HAS NOT FOLLOWED THE INSTRUCTIONS SET OUT DURING INSTALLATION OR OPERATIONS. IN NO EVENT SHALL THE COMPANY BE LIABLE FOR ANY INCIDENTAL OR CONSEQUENTIAL DAMAGES.** No warranty is given other than that set out above. No other express or implied warranties (including statutory warranties) apply, other than warranties which may not be legally excluded.

CAUTION: This manual is for residential gates only. All fence and gates must be installed to conform with B.O.C.A. Specifications and/or local building code regulations.

Note: Local municipalities may require a setback from property line to fence line, otherwise, it is recommended to be 2" inside the property line. It is important to find out all the requirements before installing your fence.

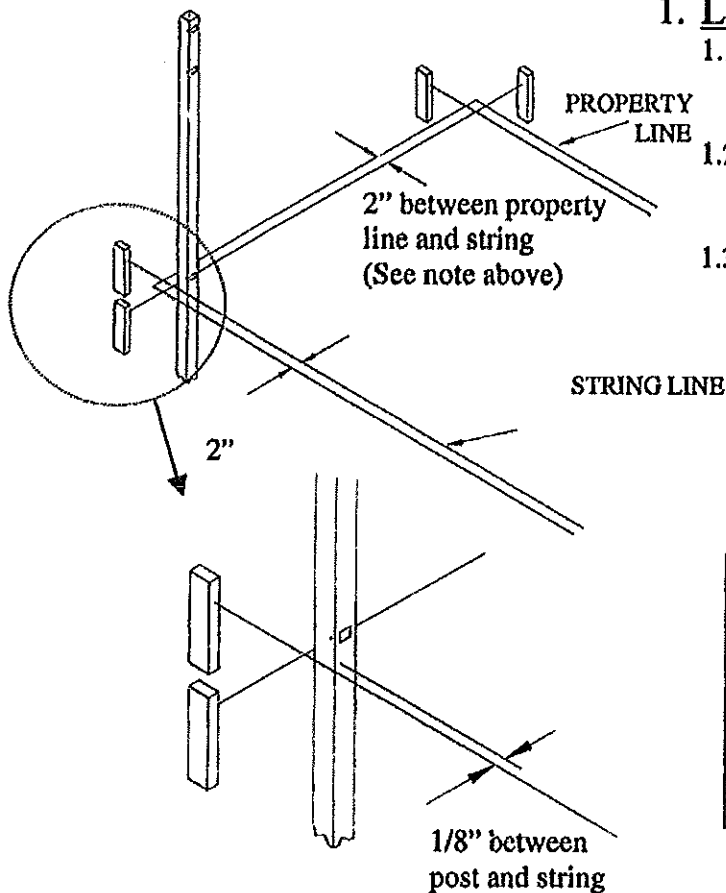


FIGURE 1

1. Layout and Planning

- 1.1. First stake out the area and run strings around as shown in Figure 1. Gates need to be located on level ground.
- 1.2. Proceed to dig post holes approximately 3" to 4" wider than the gate on centers. See Figure 2 (on next page) for post hole depth.
- 1.3. Be sure to separate the gate posts from other fence posts. Gate posts have a thicker wall than other fence posts. To prevent your fence from running short of the next gate post **DO NOT** install more than one gate for each line of fence to be installed. Additional gates will be installed when the fence reaches the desired gate location.

CAUTION: In areas where ground frost occurs extend the concrete footing below the frost line.

NOTE: Local municipalities may require different hole depths than those shown below. You must verify that these depths meet all local building codes.

Set concrete 4" below ground surface to allow grass to grow over

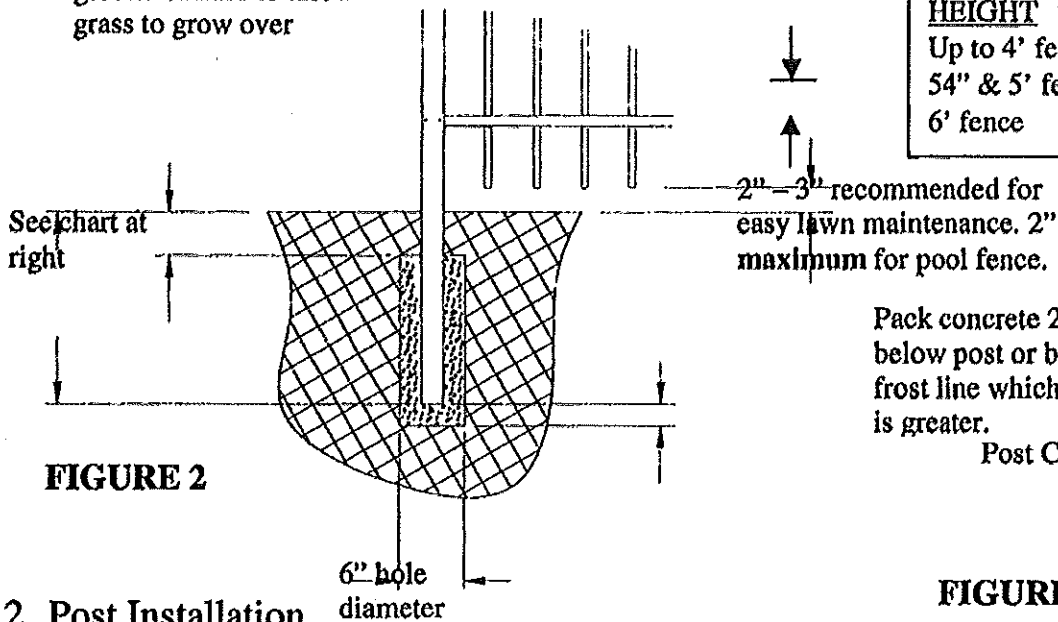


FIGURE 2

POST DEPTH	
HEIGHT	DEPTH
Up to 4' fence	≅ 18"
54" & 5' fence	≅ 24"
6' fence	≅ 30"

Pack concrete 2" below post or below frost line whichever is greater.

Post Cap



FIGURE 3

2. Post Installation

- 2.1. Use a rubber mallet to drive the post caps onto the posts. Be careful not to damage the post or caps. See Figure 3.
- 2.2. For a single gate installation set the gate opening 1" wider than the actual gate. (example: a 36" wide gate actually measures 35" wide and will require the actual gate opening to be 36" wide.) See Figure 4.
- 2.3. For a double drive gate installation set the gate opening 2" wider than the actual width of the two gates. (Example: Two 36" wide gates will actually measure 70" wide overall and will require the opening to be 72" wide.) See Figure 5.
- 2.4. Fill the post hole with a stiff concrete mix being sure that the concrete extends below the bottom of the post.
- 2.5. Be sure the posts are plumb and the fence slots are facing the correct direction while the concrete is setting. Brace the posts as necessary while the concrete is setting.

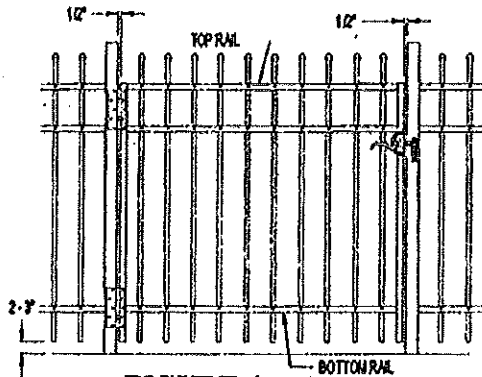


FIGURE 4

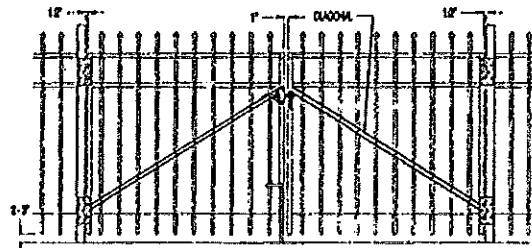


FIGURE 5

3. Gate Installation

- 3.1. After the concrete for the post has set the gate may be hung. Place the gate on blocks at the correct elevation (See figure 2 above).
- 3.2. Locate the hinges as far apart as possible on the gate and clamp the hinge post leaf to the post. Verify that the hinge post leaf is completely flush and plumb with the mounting surface, to avoid binding. Note the direction the gate will open. See Figure 6.
- 3.3. Attach the hinges to the post by drilling 7/64" pilot holes and fastening with screws provided.
- 3.4. Center the gate into the opening and attach to the hinges in the same manner as the posts. Double drive gates must have the diagonals running as shown in Figure 5.
- 3.5. If the hinge is to be mounted on a flat surface you may need to shim out the hinge post leaves so that the hinge does not rub or bind against the mounting surface. See Figure 7.
- 3.6. The screws provided with the hinge are intended for securing the hinge to Delgard posts & gates. If the hinge is to be mounted to a masonry column, wood, etc., ask your local building supply dealer to recommend the appropriate fasteners for your mounting application.
- 3.7. Test gates for a smooth free swinging operation, then proceed to install the latch hardware as needed.

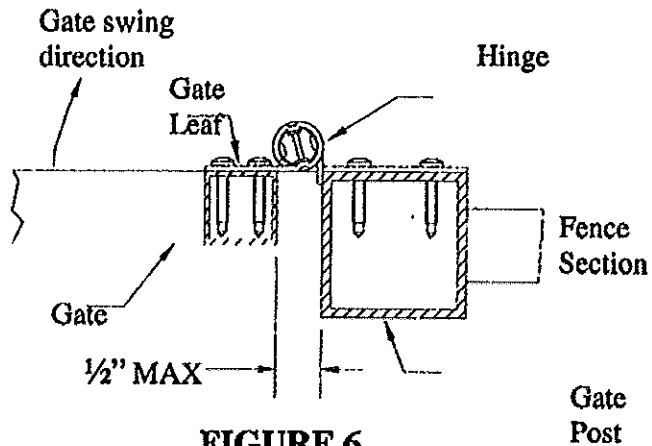


FIGURE 6

Note: Like all mechanical devices, with age and wear, these hinges will require periodic lubrication, readjustment and eventual replacement.

Just as you manually lock your home for security, you must also manually verify the gate is secured each time, as the self-closing motion could be hampered by wind, an obstruction, etc. Remember, where children's safety is involved, double check all barriers to prevent accidents.

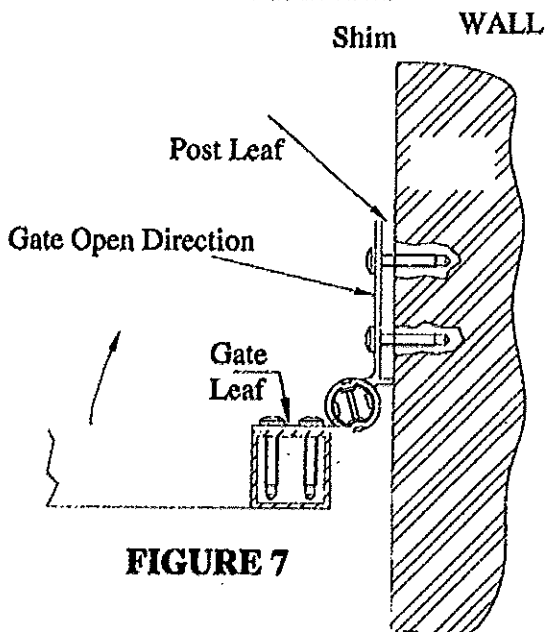


FIGURE 7

4. Hinge Adjustment

- 4.1. To adjust hinge tension, depress the cam with a 5/16" wide tip slotted screwdriver and turn the cam 1/4 turn, then allow the cam to rise to engage the two dimples. Clockwise increases tension. See Figure 8 (on next page). Tension the hinges equally.
- 4.2. Check with the Building Officials as to local requirements and adjust as instructed. In the absence of any local regulations, gates surrounding a pool or other similar risk, should be adjusted so gate can be opened 4", released, and the gate will latch securely. Repeat 5 times. Note: you must use a low friction type latch to meet this requirement.