

**CITY OF PORTLAND, MAINE
DEVELOPMENT REVIEW APPLICATION
PLANNING DEPARTMENT PROCESSING FORM**

19990145

I. D. Number

Nelson, Robert & Donata

Applicant

836 Washington Ave #3, Portland, ME 04103

Applicant's Mailing Address

same as above

Consultant/Agent

797-8256

Applicant or Agent Daytime Telephone, Fax

10/14/99

Application Date

single family w/ att. garage

Project Name/Description

95 Garsoe Dr, (Lot #10)

Address of Proposed Site

386A-A-010

Assessor's Reference: Chart-Block-Lot

Proposed Development (check all that apply): New Building Building Addition Change Of Use Residential
 Office Retail Manufacturing Warehouse/Distribution Parking Lot Other (specify) _____

72x32

Proposed Building square Feet or # of Units

Acreeage of Site

Zoning

Check Review Required:

Site Plan (major/minor) Subdivision # of lots _____ PAD Review 14-403 Streets Review
 Flood Hazard Shoreland Historic Preservation DEP Local Certification
 Zoning Conditional Use (ZBA/PB) Zoning Variance Other _____

Fees Paid: Site Plan \$300.00 Subdivision _____ Engineer Review _____ Date: _____

DRC Approval Status:

Reviewer Steve Bushy

Approved Approved w/Conditions see attached Denied

Approval Date 10/25/99 Approval Expiration 10/25/00 Extension to _____ Additional Sheets Attached

Condition Compliance _____ signature _____ date _____

Performance Guarantee Required* Not Required

* No building permit may be issued until a performance guarantee has been submitted as indicated below

<input type="checkbox"/> Performance Guarantee Accepted	_____	_____	_____
	date	amount	expiration date
<input type="checkbox"/> Inspection Fee Paid	_____	_____	
	date	amount	
<input type="checkbox"/> Building Permit	_____		
	date		
<input type="checkbox"/> Performance Guarantee Reduced	_____	_____	_____
	date	remaining balance	signature
<input type="checkbox"/> Temporary Certificate Of Occupancy	_____	<input type="checkbox"/> Conditions (See Attached)	
	date		
<input type="checkbox"/> Final Inspection	_____	_____	
	date	signature	
<input type="checkbox"/> Certificate Of Occupancy	_____		
	date		
<input type="checkbox"/> Performance Guarantee Released	_____	_____	
	date	signature	
<input type="checkbox"/> Defect Guarantee Submitted	_____	_____	_____
	submitted date	amount	expiration date
<input type="checkbox"/> Defect Guarantee Released			

**CITY OF PORTLAND, MAINE
DEVELOPMENT REVIEW APPLICATION
PLANNING DEPARTMENT PROCESSING FORM
ADDENDUM**

19990145
I. D. Number

Nelson, Robert & Donata

Applicant
836 Washington Ave #3, Portland, ME 04103

Applicant's Mailing Address
same as above

Consultant/Agent
797-8256

Applicant or Agent Daytime Telephone, Fax

10/14/99

Application Date
single family w/ att. garage
Project Name/Description

95 Garsoe Dr, (Lot #10)

Address of Proposed Site
386A-A-010

Assessor's Reference: Chart-Block-Lot

DRC Conditions of Approval

Approved Subject to Site Plan Review (Addendum) Conditions of Approval:

All damage to sidewalk, curb, street, or public utilities shall be repaired to City of Portland standards prior to issuance of a Certificate of Occupancy.

Two (2) City of Portland approved species and size trees must be planted on your street frontage prior to issuance of a Certificate of Occupancy.

Your new street address is now 95 Garso Drive, the number must be displayed on the street frontage of your house prior to issuance of a Certificate of Occupancy.

The Development Review Coordinator (874-8300 ext.8722) must be notified five (5) working days prior to date required for final site inspection. Please make allowances for completion of site plan requirements determined to be incomplete or defective during the inspection. This is essential as all site plan requirements must be completed and approved by the Development Review Coordinator prior to issuance of a Certificate of Occupancy. Please schedule any property closing with these requirements in mind.

Show all utility connections: water, sanitary, sewer, storm drain, electric, telephone, cable.

A sewer permit is required for you project. Please contact Carol Merritt at 874-8300, ext . 8828. The Wastewater and Drainage section of Public Works must be notified five (5) working days prior to sewer connection to schedule an inspector for your site.

A street opening permit(s) is required for your site. Please contact Carol Merritt ay 874-8300, ext. 8828. (Only excavators licensed by the City of Portland are eligible.)

As-built record information for sewer and stormwater service connections must be submitted to Public Works Engineering Section (55 Portland Street) and approved prior to issuance of a Certificate of Occupancy.

The building contractor shall check the subdivision recording plat for pre-determined first floor elevation and establish the first floor elevation (FFE) and sill elevation (SE) to be set above the finish street/curb elevation to allow for positive drainage away from entire footprint of building.

The site contractor shall establish finish grades at the foundation, bulkhead and basement windows to be in conformance with the first floor elevation (FFE) and sill elevation (SE) set by the building contractor to provide for positive drainage away from entire footprint of building.

A drainage plan shall be submitted to and approved by Development Review Coordinator showing first floor elevation (FFE), sill elevation (SE), finish street/curb elevation, lot grading, existing and proposed contours, drainage patterns and paths, drainage swales, grades at or near abutting property lines, erosion control devices and locations and outlets for drainage from the property.

The Development Review Coordinator reserves the right to require additional lot grading or other drainage improvements as necessary due to field conditions.

The applicant shall satisfy the above conditions prior to the issuance of a building permit. The applicant shall be responsible for all drainage improvements and shall avoid impacts to abutting properties. The applicant shall install erosion control measures in accordance with the State of Maine Management Practices, Erosion and Sediment Control Handbook for Construction.

Planning Conditions of Approval

Inspections Conditions of Approval

CITY OF PORTLAND, MAINE
 SITE PLAN REVIEW (ADDENDUM)
 CONDITIONS OF APPROVAL

APPLICANT: Robert and Donata Nelson
 ADDRESS: 836 Washington Ave #3 Portland ME 04103
 SITE ADDRESS/LOCATION: 95 BRISQ Drive - lot #10 (Auburn Pines)
 DATE: 10/25/99

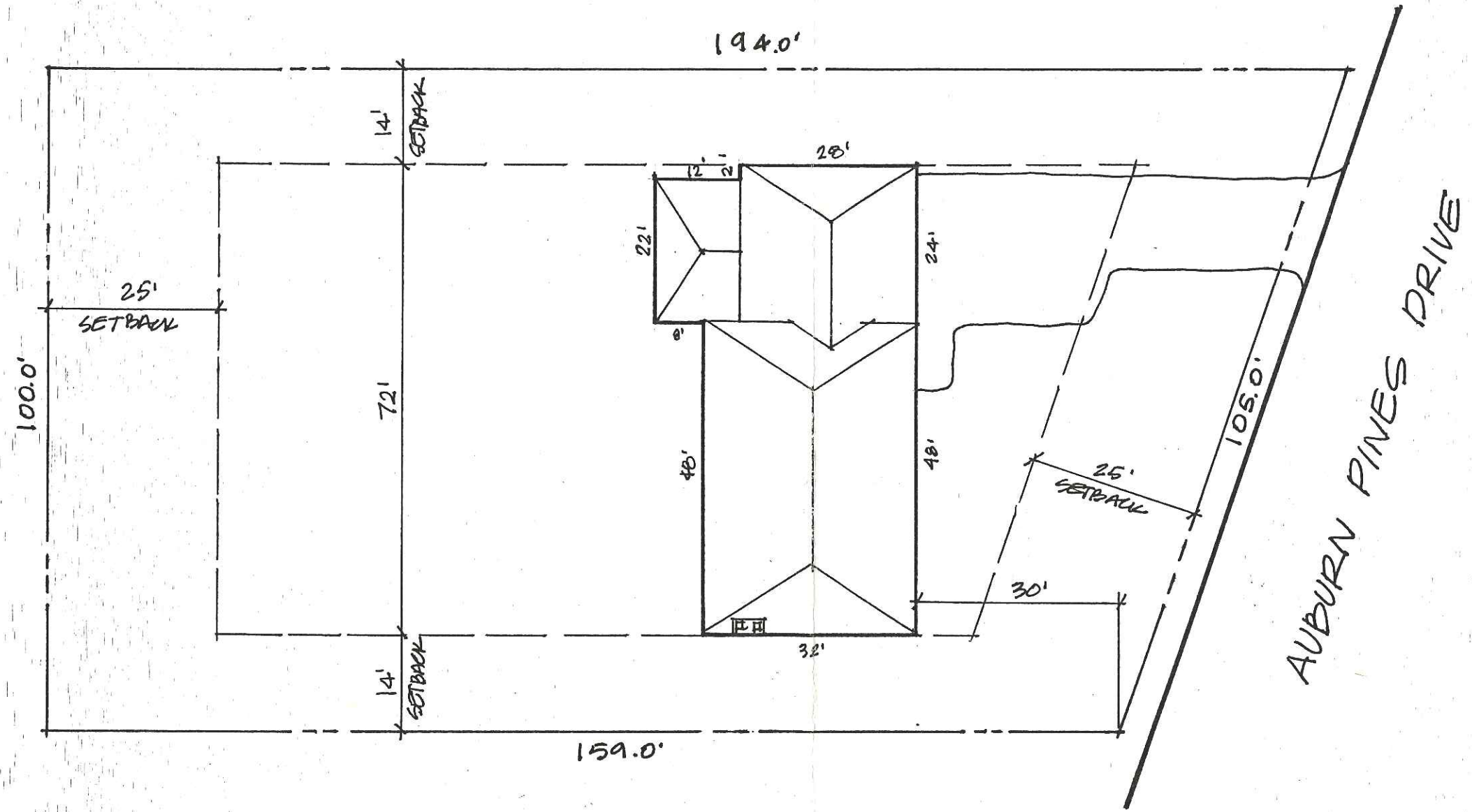
Review by the Development Review Coordinator is for General Conformance with ordinances and standards only and does not relieve the applicant, his contractors or agents from the responsibility to provide a completely finished site, including but not limited to: increasing or concentrating of all surface runoff onto adjacent or downstream properties, issues regarding vehicle sight distance, location of public utilities and foundation elevations.

CONDITIONS CHECKED OFF BELOW WILL BE ENFORCED FOR YOUR SITE PLAN

1. All damage to sidewalk, curb, street, or public utilities shall be repaired to City of Portland Standards prior to issuance of a Certificate of Occupancy.
2. Two (2) City of Portland approved species and size trees must be planted on your street frontage prior to issuance of a Certificate of Occupancy.
3. Your new street address is now _____, the number must be displayed on the street frontage of your house prior to issuance of Certificate of Occupancy.
4. The Development Review Coordinator (874-8300 ext. 8722) must be notified five (5) working days prior to date required for final site inspection. Please make allowances for completion of site plan requirements determined to be incomplete or defective during the inspection. This is essential as all site plan requirements must be completed and approved by the Development Review Coordinator prior to issuance of a Certificate of Occupancy. Please schedule any property closing with these requirements in mind.
5. Show all utility connections: water, sanitary sewer, storm drain, electric, telephone, cable.
6. A sewer permit is required for your project. Please contact Carol Merritt at 874-8300, ext. 8828. The Wastewater and Drainage section of Public Works must be notified five (5) working days prior to sewer connection to schedule an inspector for your site.
7. A street opening permit(s) is required for your site. Please contact Carol Merritt at 874-8300, ext. 8828. (Only excavators licensed by the City of Portland are eligible.)

8. As-built record information for sewer and stormwater service connections must be submitted to Parks and Public Works Engineering Section (55 Portland Street) and approved prior to issuance of a Certificate of Occupancy.
9. The building contractor shall check the subdivision recording plat for pre-determined first floor elevation and establish the first floor elevation (FFE) and sill elevation (SE) to be set above the finish street/curb elevation to allow for positive drainage away from entire footprint of building.
10. The site contractor shall establish finish grades at the building foundation, bulkhead and basement windows to be in conformance with the first floor elevation (FFE) and sill elevation (SE) set by the building contractor to provide for positive drainage away from entire footprint of building.
11. A drainage plan shall be submitted to and approved by Development Review Coordinator showing first floor elevation (FEE), sill elevation (SE), finish street/curb elevation, lot grading, existing and proposed contours, drainage patterns and paths, drainage swales, grades at or near abutting property lines, erosion control devices and locations and outlets for the drainage from the property.
12. The Development Review Coordinator reserves the right to require additional lot grading or other drainage improvements as necessary due to field conditions.
13. The applicant shall satisfy the above conditions prior to issuance of a building permit. The applicant shall be responsible for all drainage improvements and shall avoid impacts to abutting properties. The applicant shall install erosion control measures in accordance with the state of Maine Best management practices. Erosion and Sediment Control Handbook for Construction.

cc: Katherine Staples, P.E., City Engineer



SITE PLAN
1" = 20'-0"

Robert and Dorothy Nelson	NELSON RESIDENCE
10 Auburn Pines Drive - Portland	
SITE PLAN	
1" = 20'-0"	
10 OCT 99	
S.1	

Lot 10 - Garso Dr. Portland