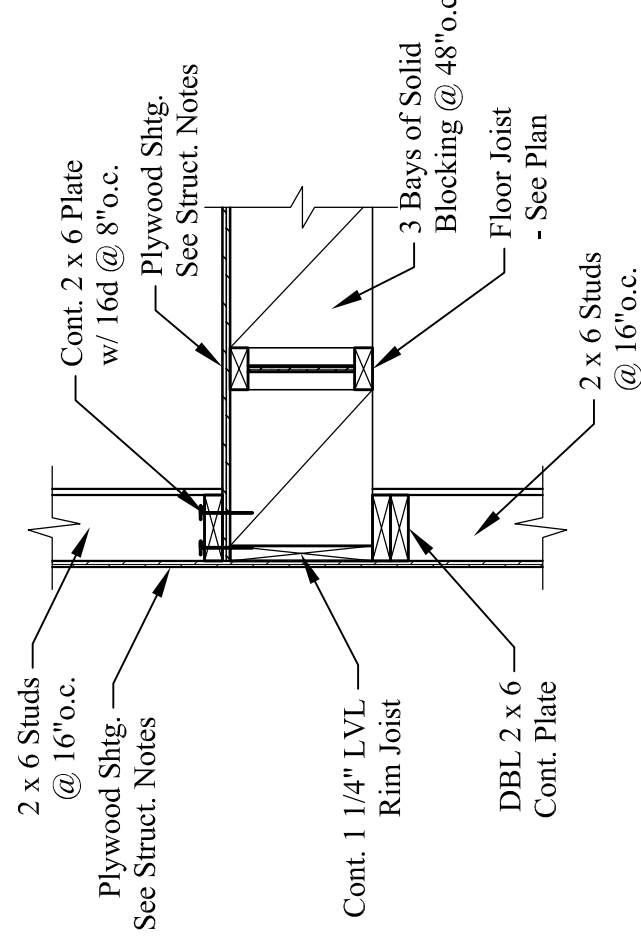


FLOOR FRAMING NOTES:

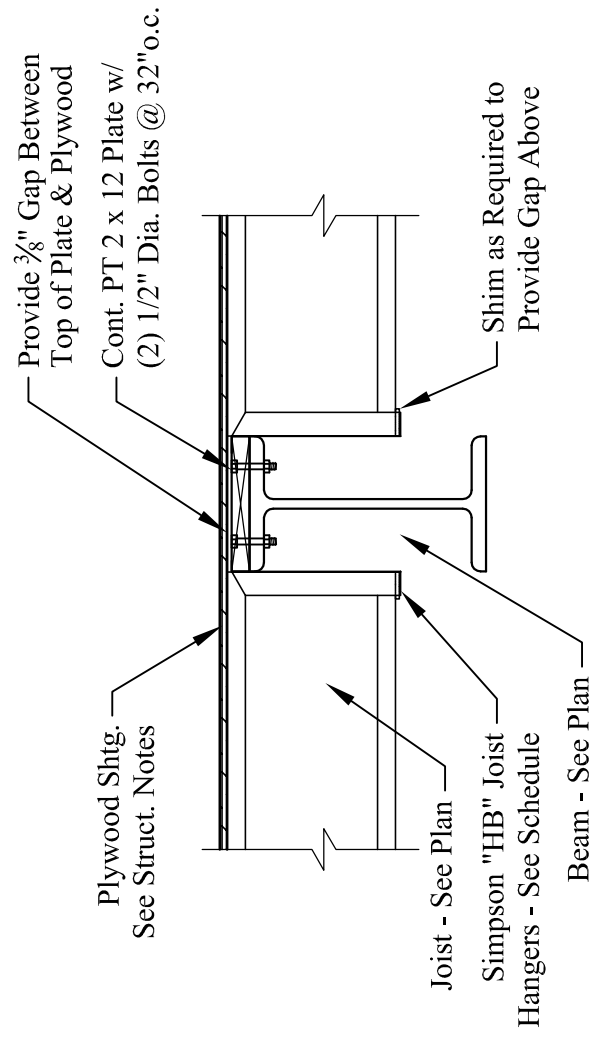
1. See structural notes, sheet S-1.
2. Beams and joists shall be spiked w/ 3 rows of 16d nails @ 12" o.c.
3. Provide metal hangers at all flush joist connections.
4. Provide double joists below all upper parallel walls.
5. Provide solid blocking at mid-span of floor joists.
6. See architectural drawings for wall layout and dimensions.
7. Provide (2) 1/2" x 9/8" LVL header w/ 2" rigid insulation between over all exterior door & window openings unless noted on plan.
8. Provide 2x4 blocking of all beam/girders and bottom of floor sheathing for expansion and contraction.
9. Add solid blocking between floor joists below all posts.

2nd FLOOR & LOW ROOF FRAMING PLAN

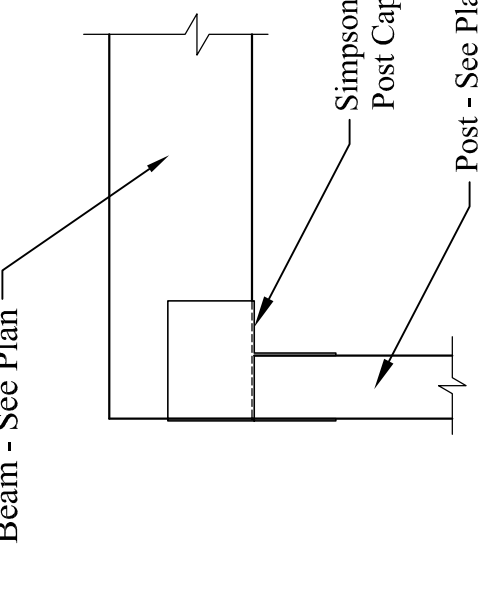
Scale: 1/4" = 1'-0"



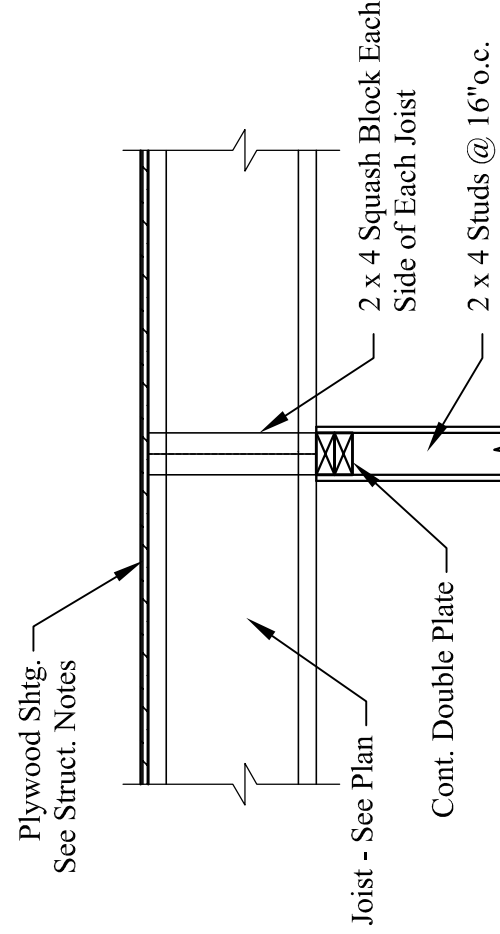
2 JOIST PARALLEL TO WALL CONN.
Scale: 3/4" = 1'-0"



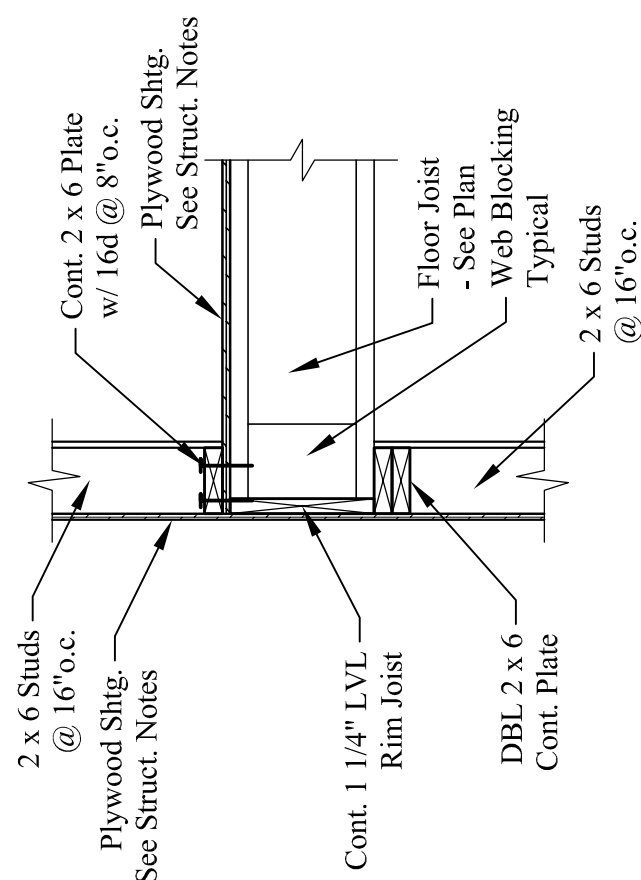
4 JOIST TO STEEL BEAM CONN.
Scale: 3/4" = 1'-0"



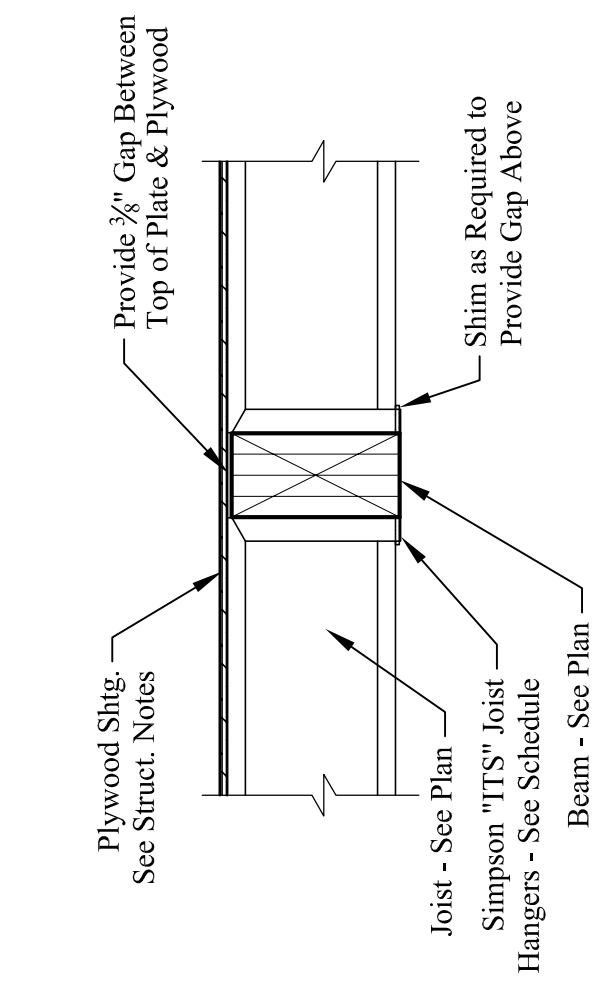
6 WOOD BM. TO WOOD POST CONN.
Scale: 3/4" = 1'-0"



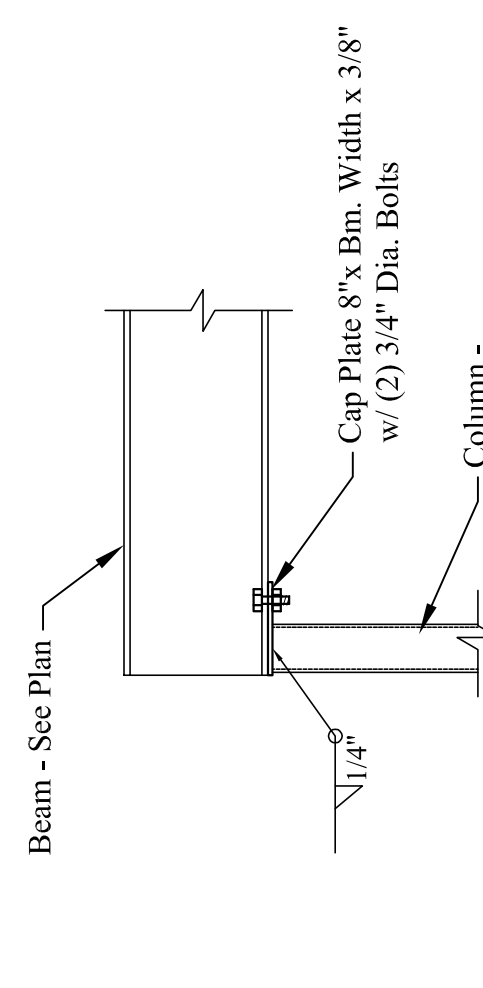
8 FLOOR JOIST TO BEARING WALL
Scale: 3/4" = 1'-0"



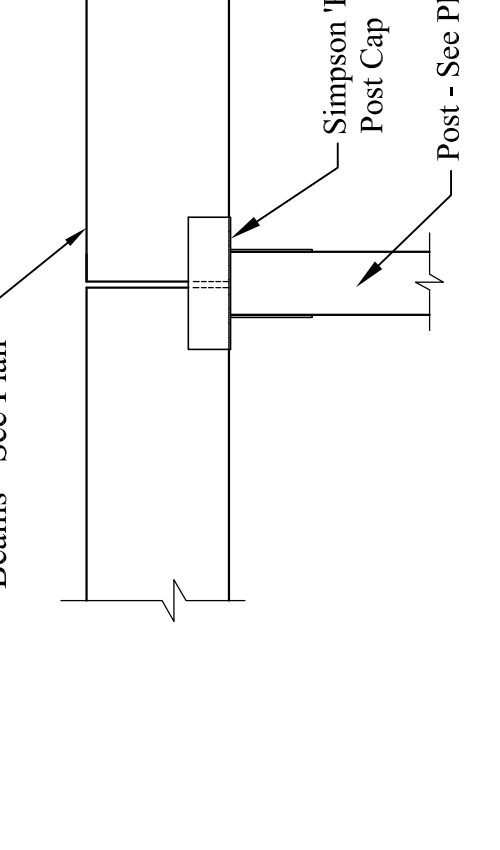
1 JOIST TO STUD WALL CONN.
Scale: 3/4" = 1'-0"



3 JOIST TO WOOD BEAM CONN.
Scale: 3/4" = 1'-0"



5 STEEL BEAM AT COLUMN
Scale: 3/4" = 1'-0"



7 WOOD BM. TO WOOD POST CONN.
Scale: 3/4" = 1'-0"