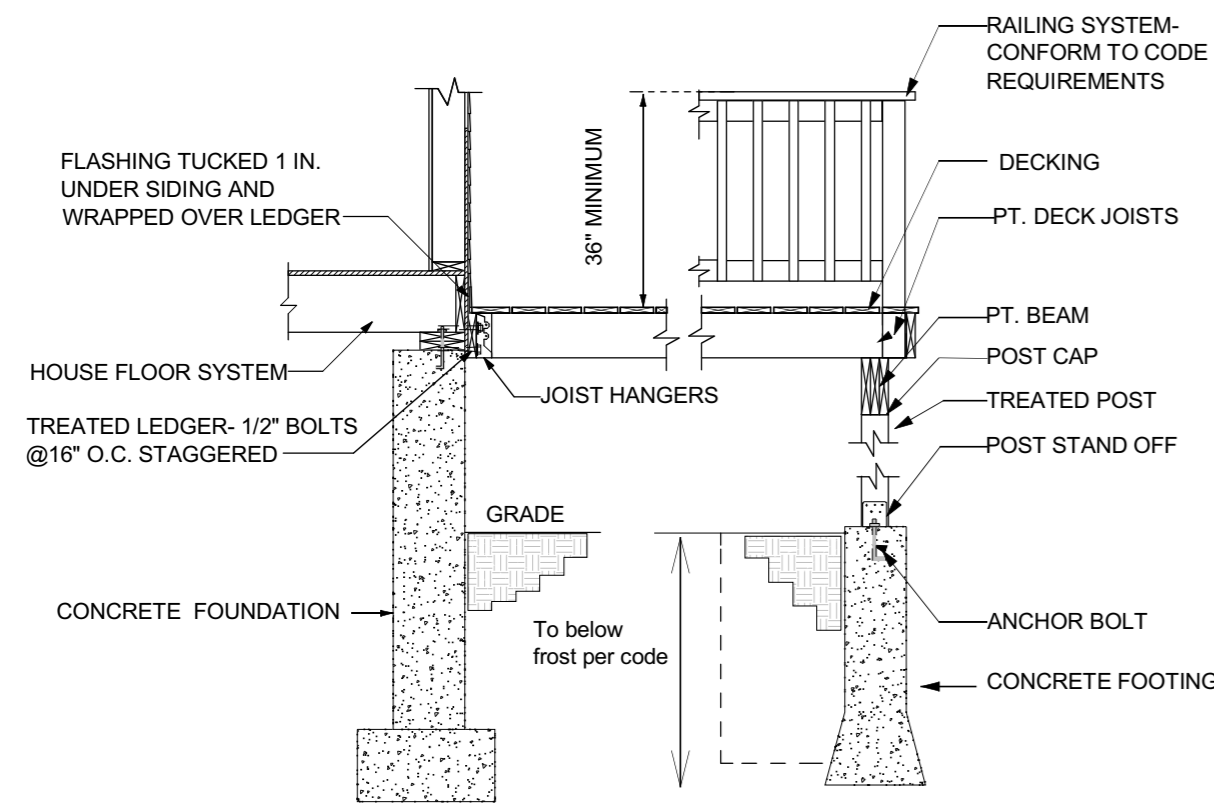
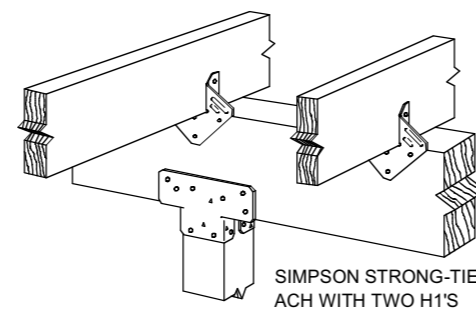


9/16/2014 10:37:36 AM

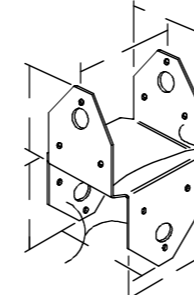


Typical Deck

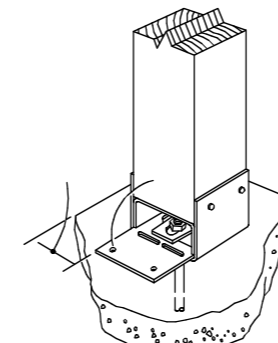
Not to Scale



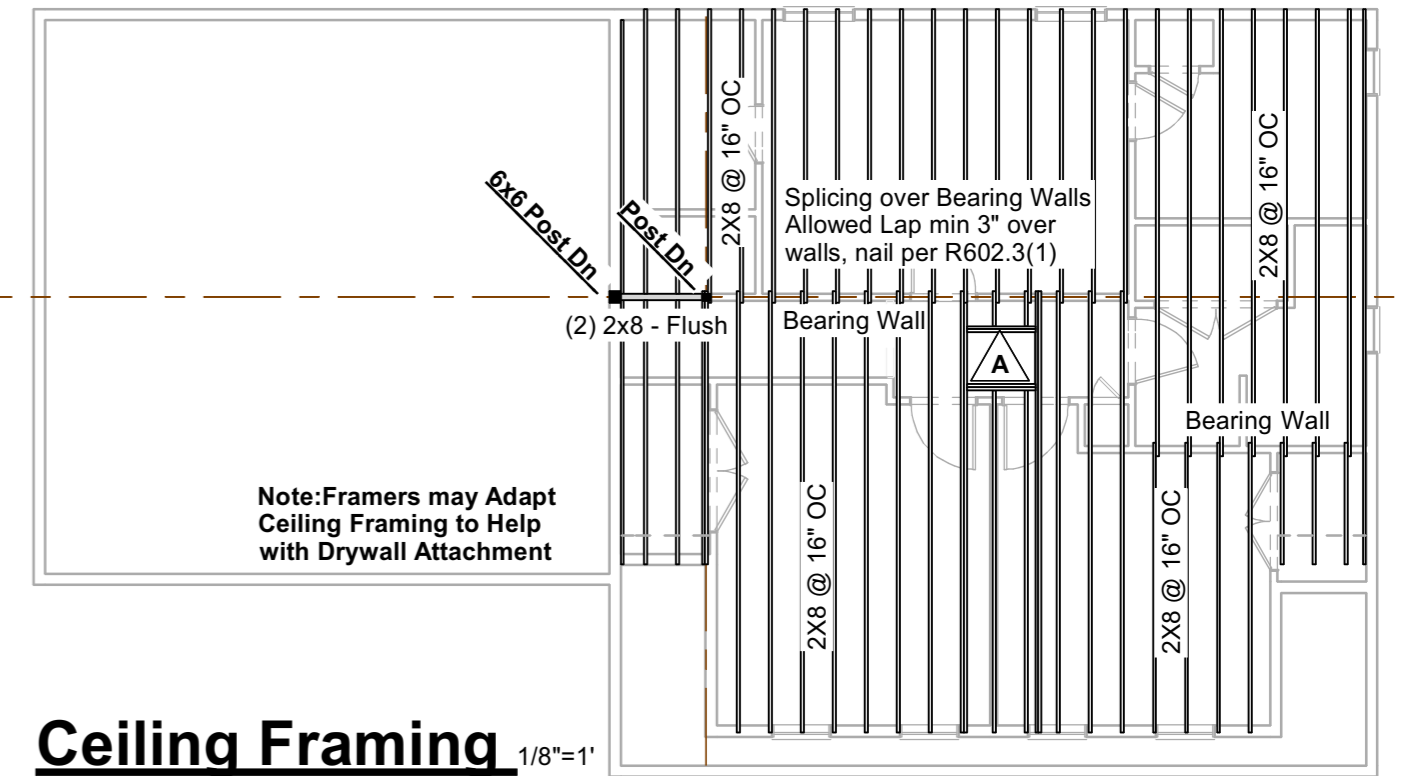
POST CAP & JOIST ATTACHMENT



POST CAP



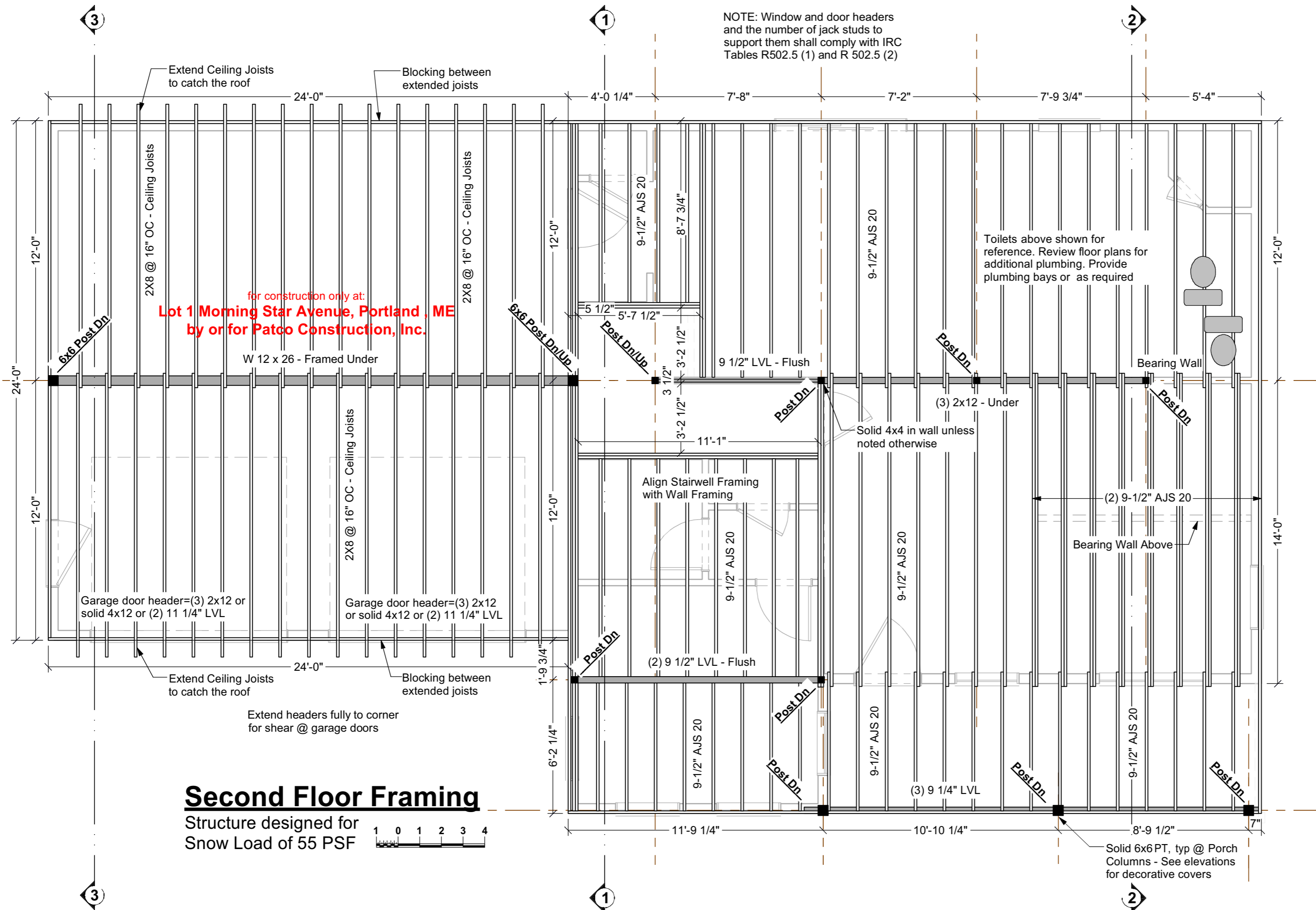
POST STAND OFF



Ceiling Framing

Structure designed for Snow Load of 55 PSF

Hibby Collection\April in the Country\April Calla 1901124 - Classic\124.v4 KR - alt stair design\CD 190.124.v4 KR 850 April Calla Classic - 1 Morning Star.layout



Second Floor Framing

Structure designed for Snow Load of 55 PSF

Your use of these drawings constitutes an acceptance of responsibility as outlined in "Dear Code Officer" on the first page of these drawings, and on our web site: <http://www.artformhomeplans.com/TermsConditions.a5w>

If you have any concerns or questions, please feel free to contact us. We are happy to clarify matters that fall within our scope, as listed on the first page. We can also often provide affordable support for issues that are your responsibility, such as energy design/calcs, or additional detailing.

Artform Home Plans

AFHP Design # 190.124 KR
© 2006-2014 Wendy L. Welton 603.431.9559

April Calla, Classic
Lot 1 Morning Star Avenue
Portland, ME

9

1/4"=1'-0" unless noted otherwise / Print @ 1:1
PDF created on: 9/16/2014, drawn by ACJ

Issued for:
Construction

R2: 9.15.14 - Reverse

